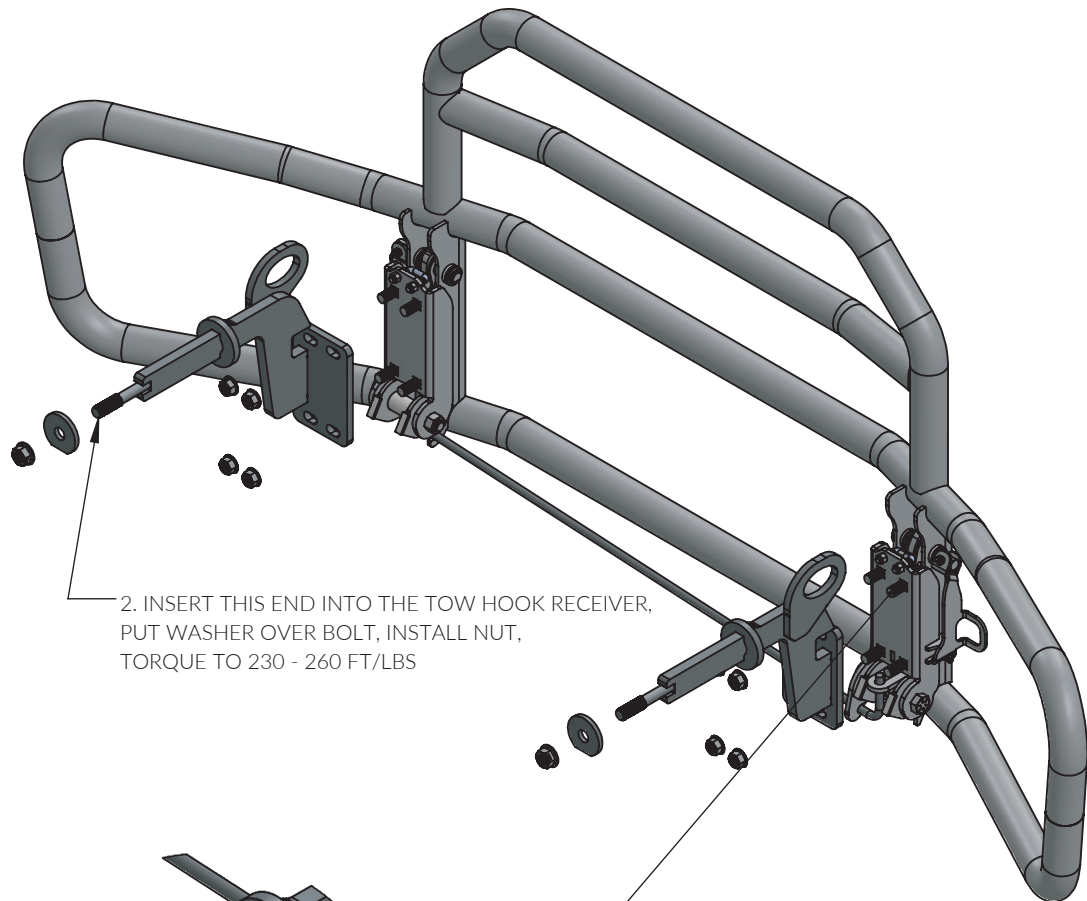


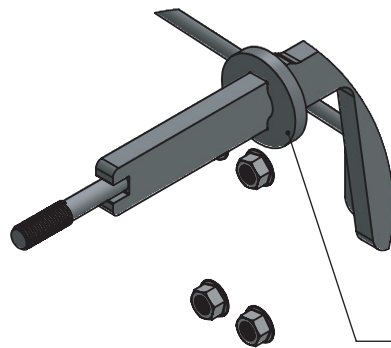
MOUNTING INSTRUCTIONS - XG-08FCAP3 MT



CALL: (888) 902-2777 FOR INSTALLATION QUESTIONS OR EMAIL: INFO@EX-GUARD.COM



2. INSERT THIS END INTO THE TOW HOOK RECEIVER, PUT WASHER OVER BOLT, INSTALL NUT, TORQUE TO 230 - 260 FT/LBS



1. INSERT THRUST WASHER ONTO BRACKET

3. INSTALL THE EX-GUARD BY INSERTING THE 5/8" STUDS INTO THE BRACKET SLOTS. INSTALL FLANGE NUTS, TORQUE TO 150 - 165 FT/LBS

DETAIL A
SCALE 1 : 6



IMPORTANT!! Any Ex-Guard grille guard, bracket kit, or hardware must be used with corresponding Ex-Guard components. Use of any other product or brand with Ex-Guard products will immediately void the warranty provided by Ex-Guard Industries.

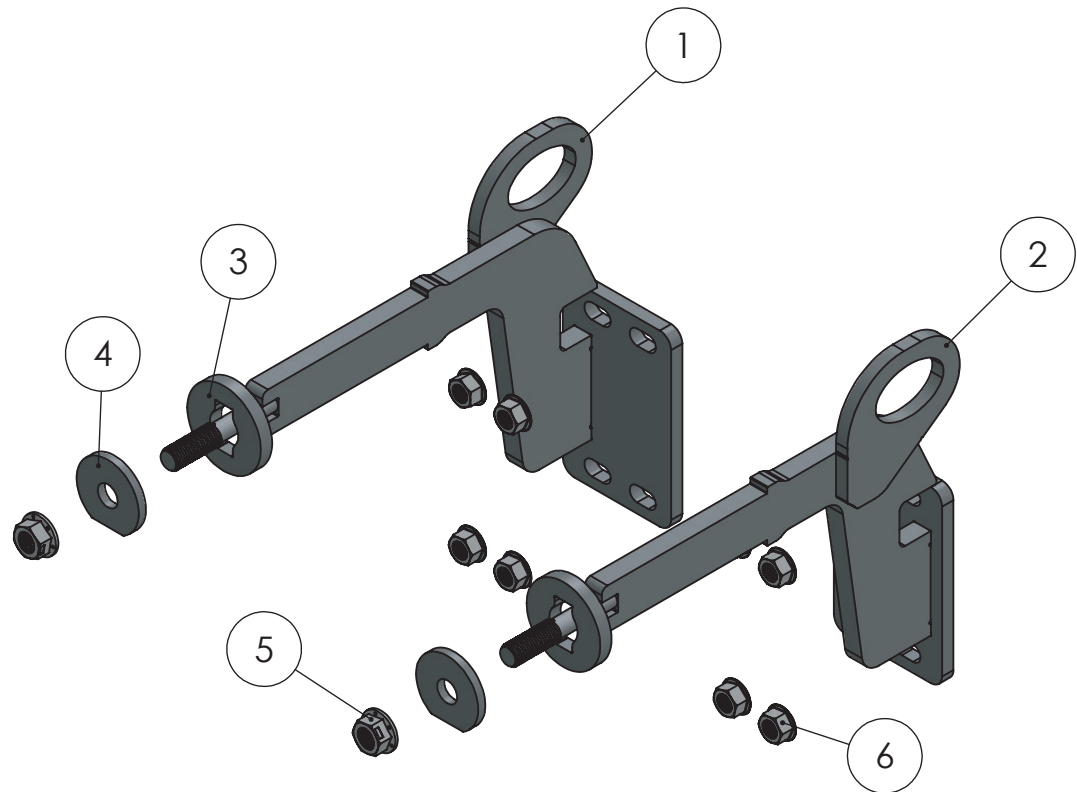
© THIS DRAWING IS THE PROPERTY OF EX-GUARD INDUSTRIES, INC. COPYRIGHT IS RESERVED BY THEM AND THE DRAWING ISSUED ON CONDITION THAT IT MUST NOT BE USED FOR ANY OTHER PURPOSE OTHER THAN FOR WHICH IT WAS SUPPLIED AND NOT TO BE COPIED, REPRODUCED, RETAINED OR DISCLOSED TO ANY UNAUTHORIZED PERSON EITHER WHOLLY OR IN PART WITHOUT THE CONSENT IN WRITING OF EX-GUARD INDUSTRIES INC.

PARTS LIST - XG-08FCAP3

BOLT KIT - XG-BRK6 & XG-BRK23

COMPATIBLE GUARDS

- Check <https://ex-guard.com/>



ITEM NO.	PART NUMBER	DESCRIPTION	QTY.
1	XG-08FCAP3-BR10DR	MOUNTING BRACKET LH	1
2	XG-08FCAP3-BR10PS	MOUNTING BRACKET LH	1
3	XG-08FCAP3-BR05	3/4" MACHINED SUPPORT WASHER	2
4	XG-001-75-MPFSWZC	3/4" FLAT SIDE MACHINED WASHER	2
5	XG-001-75-10FHNNAL8ZY	3/4"-10 FLANGE HEX AUTO LOCKNUT	2
6	XG-001-62-11FHNNL5Z	5/8-11 FLANGE PATCH HEX NUT	8

ATTENTION!! Any Ex-Guard grille guard, bracket kit, or hardware must be used with corresponding Ex-Guard components. Use of any other product or brand with Ex-Guard products will immediately void the warranty provided by Ex-Guard Industries.



CALL: (888) 902-2777 FOR INSTALLATION QUESTIONS OR EMAIL: INFO@EX-GUARD.COM

