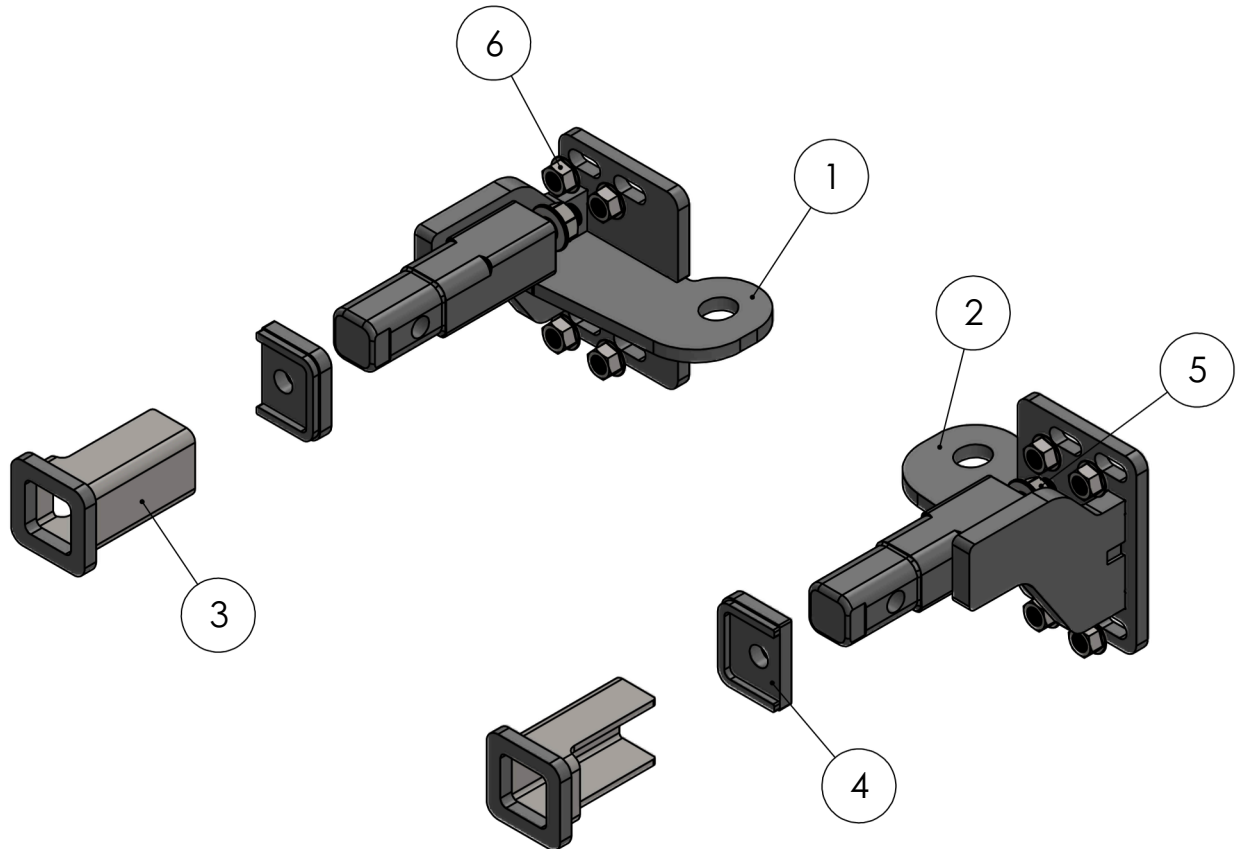


PARTS LIST - XG-24VNL
 BOLT KIT - XG-BRK23 & XG-BRK40
 COMPATIBLE GUARDS

X
 CALL: (888) 902-2777 FOR INSTALLATION QUESTIONS OR EMAIL: INFO@EX-GUARD.COM

- Check <https://ex-guard.com/>



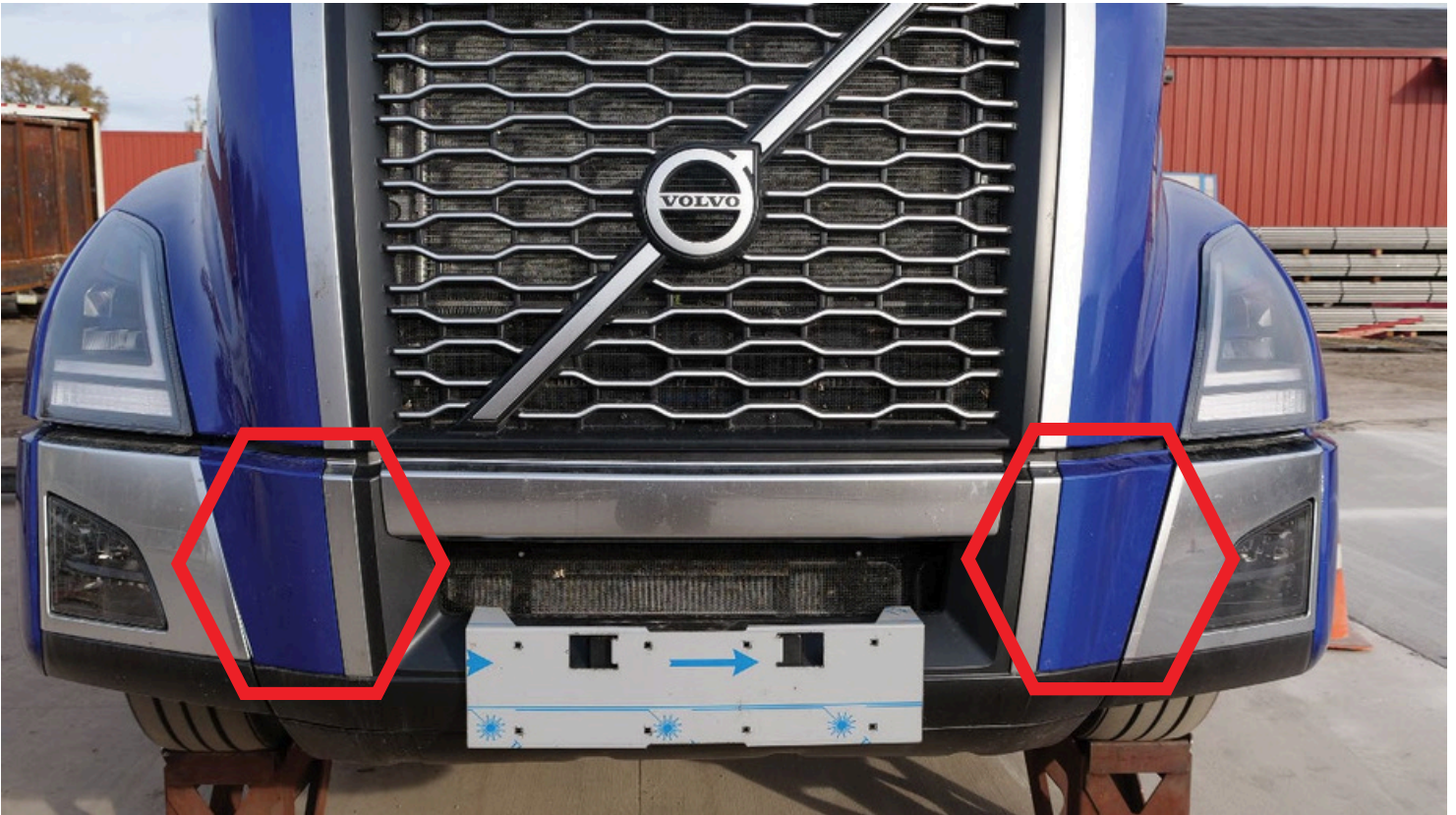
ITEM NO.	PART NUMBER	DESCRIPTION	QTY.
1	XG-24VNL-BR10DR	DR BRACKET ASSEMBLY	1
2	XG-24VNL-BR10PS	PS BRACKET ASSEMBLY	1
3	XG-24VNL-BR04SA	BRACKET SUPPORT ASSEMBLY	2
4	XG-24VNL-BR06SA	RECIEVER SUPPORT PLATE ASSEMBLY	2
5	XG-001-75-16FHHNTLGZ	3/4"-16 FLANGE HEX HEAD TOP LOCK NUT	2
6	XG-001-62-11FHHNL5Z	5/8-11 FLANGE PATCH HEX NUT	8

ATTENTION!! Any Ex-Guard grille guard, bracket kit, or hardware must be used with corresponding Ex-Guard components. Use of any other product or brand with Ex-Guard products will immediately void the warranty provided by Ex-Guard Industries.



XG-24VNL Installation Instructions

1. Locate Receiver Openings



2. Remove DR and PS Receiver Covers By Pulling From Outside Top Corner



(Picture Of Exposed
DR Receiver)



3. Put The Bracket Support Assembly (3) over
the DR Bracket Assembly (2), Making Sure It Is
Pushed All The Way Down



4. Put The Assembled DR
Bracket Assembly (1) Into
The DR Receiver

****FOR A METAL BUMPER: PUT THE DR MOUNTING BRACKET IN THE PS TOW HOOK, AND THE PS MOUNTING BRACKET IN THE DR TOW HOOK (AS SEEN BELOW)****

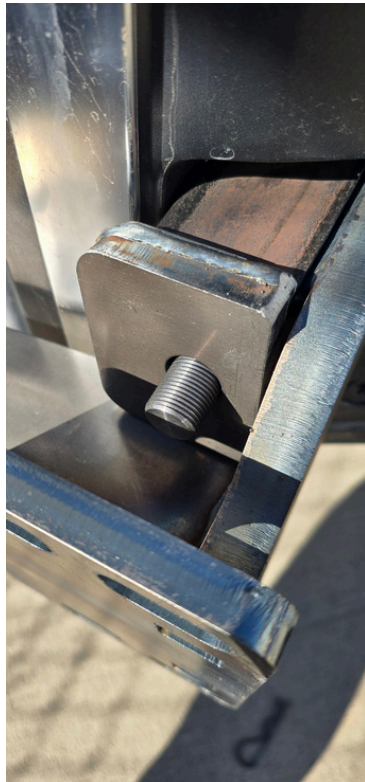




5. Put The Retainer Pin Through The DR Bracket Assembly (1) To Lock It In Place



6. Take The Receiver Support Plate Assembly (4) And Put It On The Exposed Bolt On The DR Bracket Assembly (1)

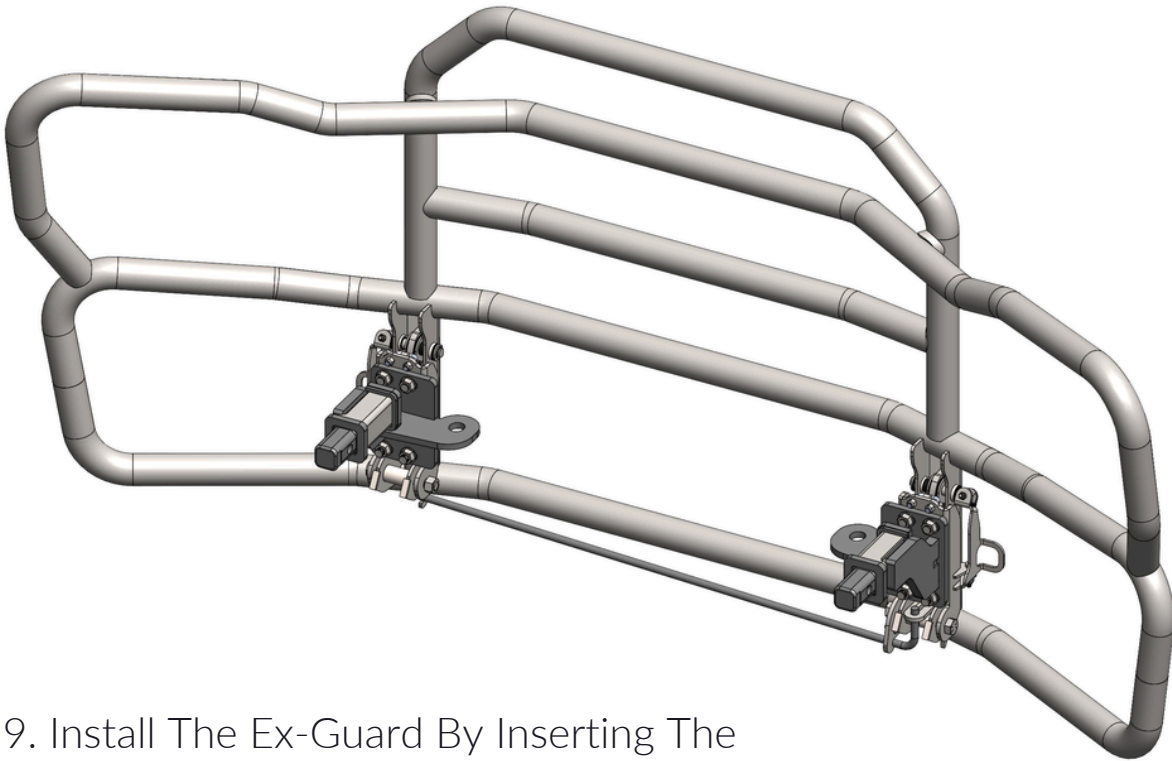


(Picture Of The Receiver Support Plate Assembly (4) On The DR Bracket Assembly (1))



7. Put The Nut (5) On After The Receiver Support Plate Assembly (4) To Hold It In Place

****8. Repeat Steps 3-7 For PS****



9. Install The Ex-Guard By Inserting The Studs Into The Bracket Slots, Install Nuts And Torque To 150 FT/LBS