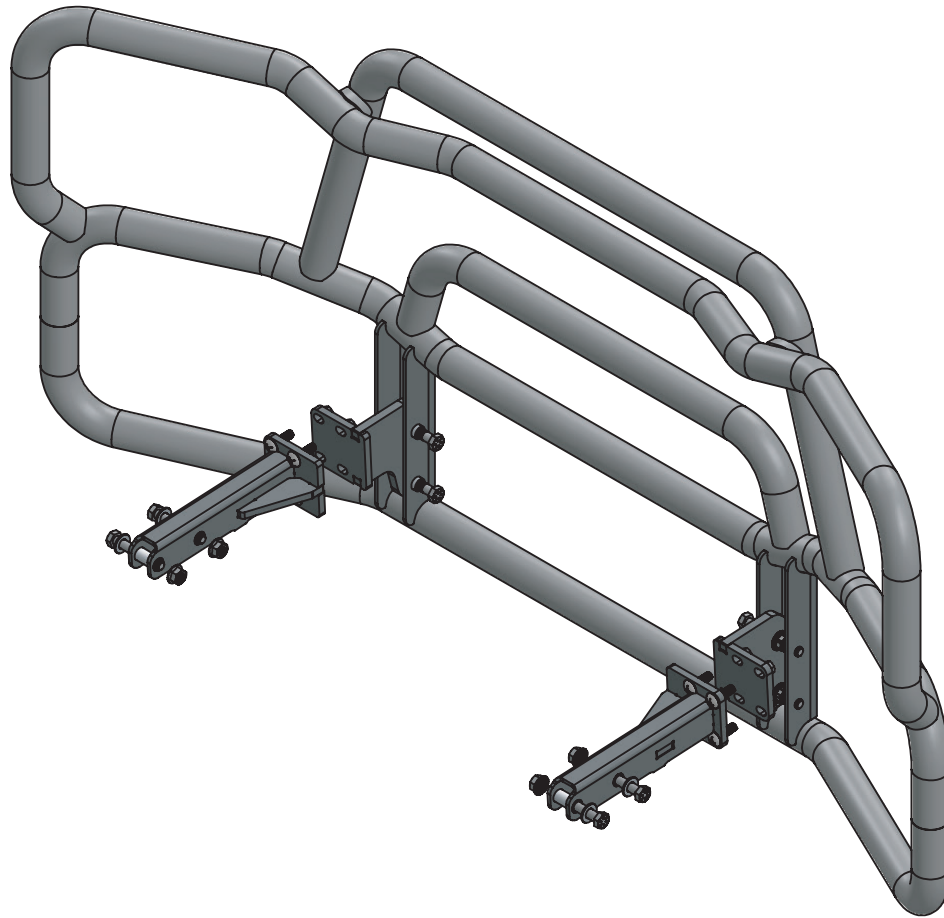


MOUNTING INSTRUCTIONS - MB-19FX-RM45 MT



CALL: (888) 902-2777 FOR INSTALLATION QUESTIONS OR EMAIL: INFO@EX-GUARD.COM



SEE INSTALLATION GUIDE FOR DETAILED INSTALL INSTRUCTIONS

IMPORTANT!! Any Ex-Guard grille guard, bracket kit, or hardware must be used with corresponding Ex-Guard components. Use of any other product or brand with Ex-Guard products will immediately void the warranty provided by Ex-Guard Industries.

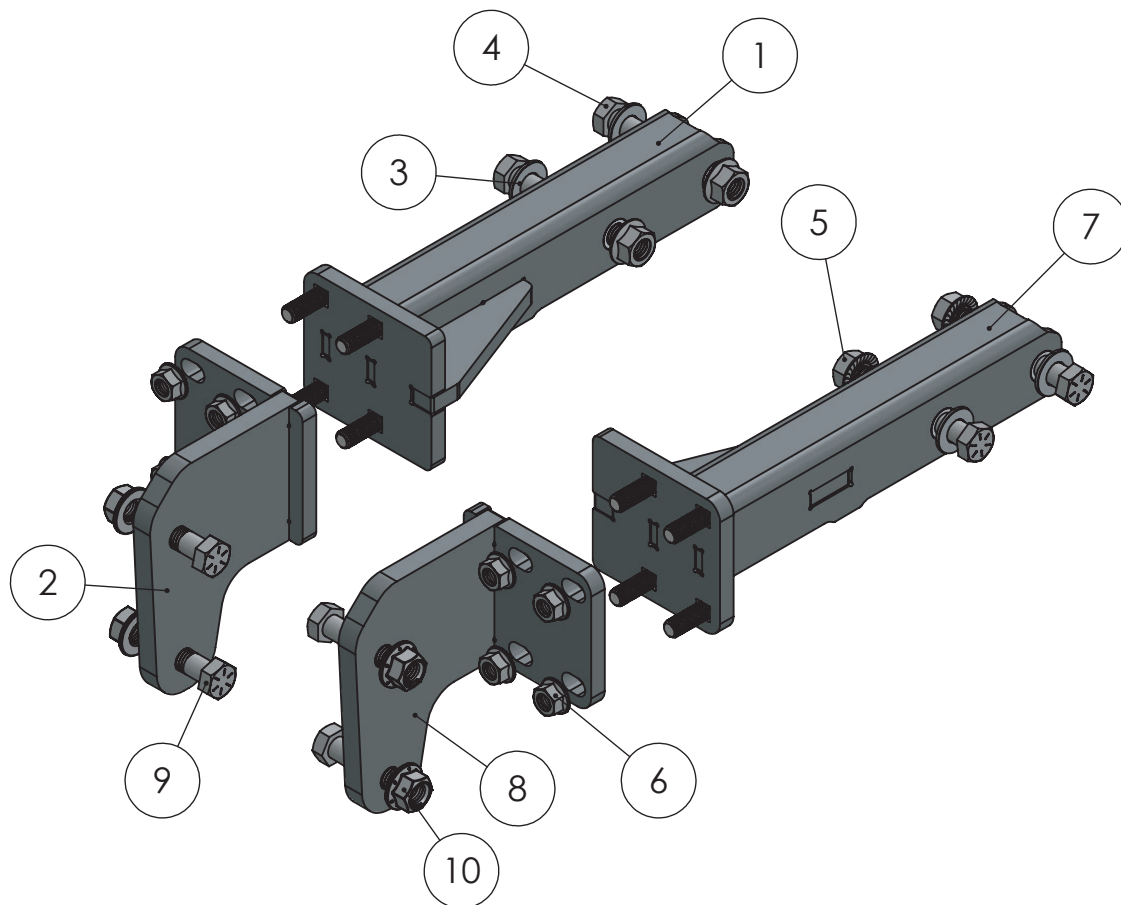
© THIS DRAWING IS THE PROPERTY OF EX-GUARD INDUSTRIES, INC. COPYRIGHT IS RESERVED BY THEM AND THE DRAWING ISSUED ON CONDITION THAT IT MUST NOT BE USED FOR ANY OTHER PURPOSE OTHER THAN FOR WHICH IT WAS SUPPLIED AND NOT TO BE COPIED, REPRODUCED, RETAINED OR DISCLOSED TO ANY UNAUTHORIZED PERSON EITHER WHOLLY OR IN PART WITHOUT THE CONSENT IN WRITING OF EX-GUARD INDUSTRIES INC.

PARTS LIST - MB-19FX-RM45

BOLT KIT - MB-BRK6

COMPATIBLE GUARDS

- Check <https://ex-guard.com/>



ITEM NO.	PART NUMBER	DESCRIPTION	QTY.
1	MB-19FX-RM45-BR10DR	DR RECIEVER BRACKET ASSEMBLY	1
2	MB-19FX-RM23-BR11DR	DR GUARD MOUNT BRACKET ASSEMBLY	1
3	XG-001-62-SW8ZY	5/8" SAE WASHER	4
4	XG-001-62-11HHC4008ZY	5/8-11 X 4" HEX HEAD CAPSCREW	4
5	XG-001-62-11SFHNN5Z	5/8"-11 SERRATED FLANGE HEX NUT	4
6	XG-001-50-13SFHNN8ZY	1/2"-13 SERRATED FLANGE HEX NUT	8
7	MB-19FX-RM45-BR10PS	PS RECIEVER BRACKET ASSEMBLY	1
8	MB-19FX-RM23-BR11PS	PS GUARD MOUNT BRACKET ASSEMBLY	1
9	XG-001-62-11HHC2508ZY	5/8-11 X 2 1/2" HEX HEAD CAPSCREW	4
10	XG-001-62-11FHHNTL8ZY	5/8"-11 TOP LOCK FLANGE HEX NUT GRADE 8 YELLOW ZINC PLATED STEEL	4

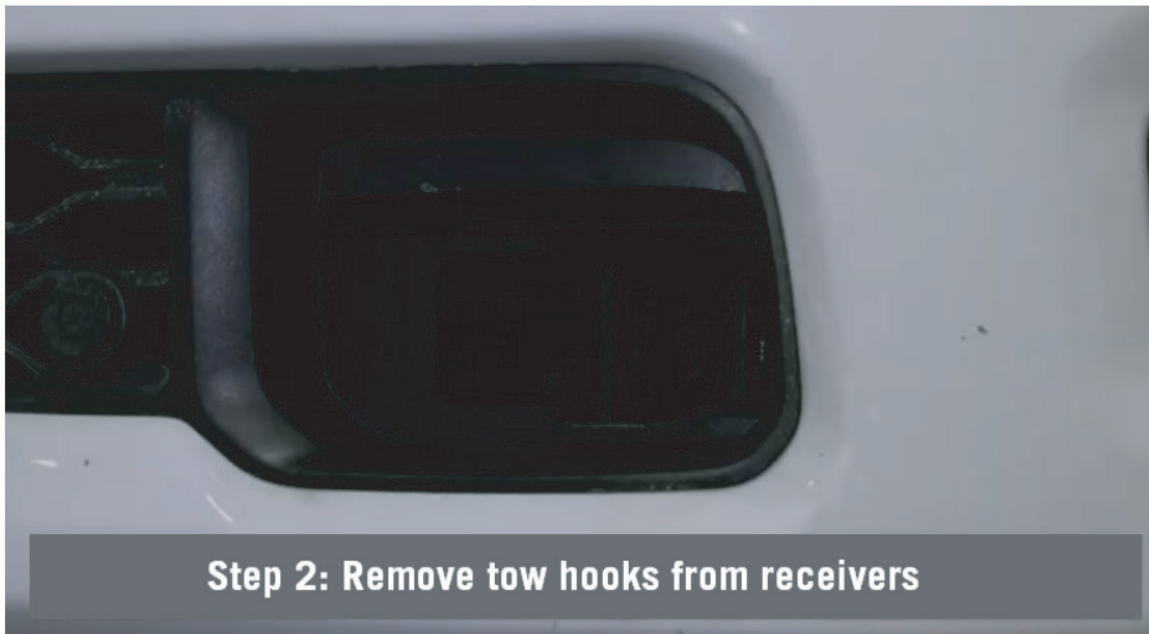
ATTENTION!! Any Ex-Guard grille guard, bracket kit, or hardware must be used with corresponding Ex-Guard components. Use of any other product or brand with Ex-Guard products will immediately void the warranty provided by Ex-Guard Industries.



CALL: (888) 902-2777 FOR INSTALLATION QUESTIONS OR EMAIL: INFO@EX-GUARD.COM

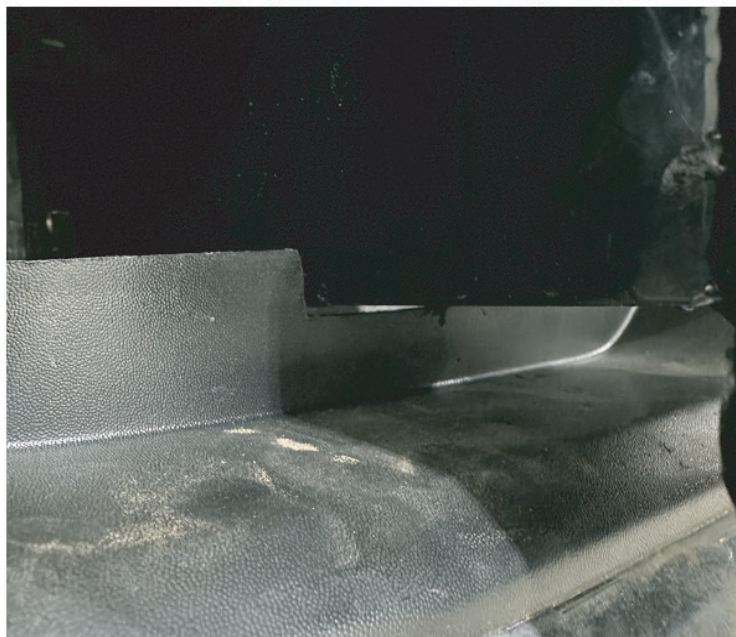


MB-19FX-RM45 INSTALL GUIDE

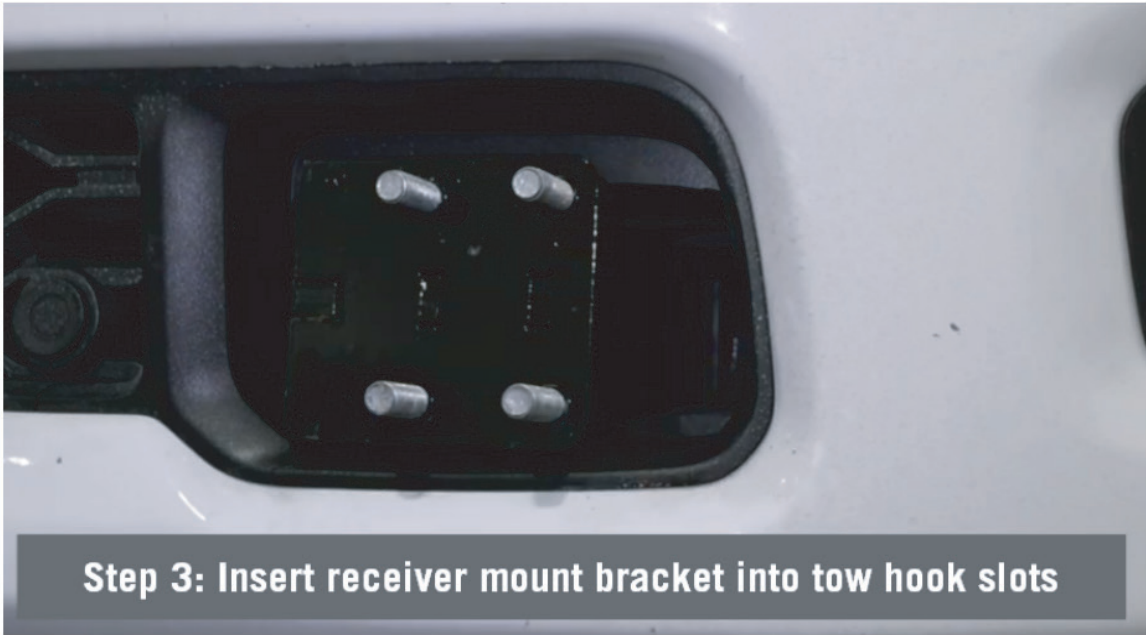




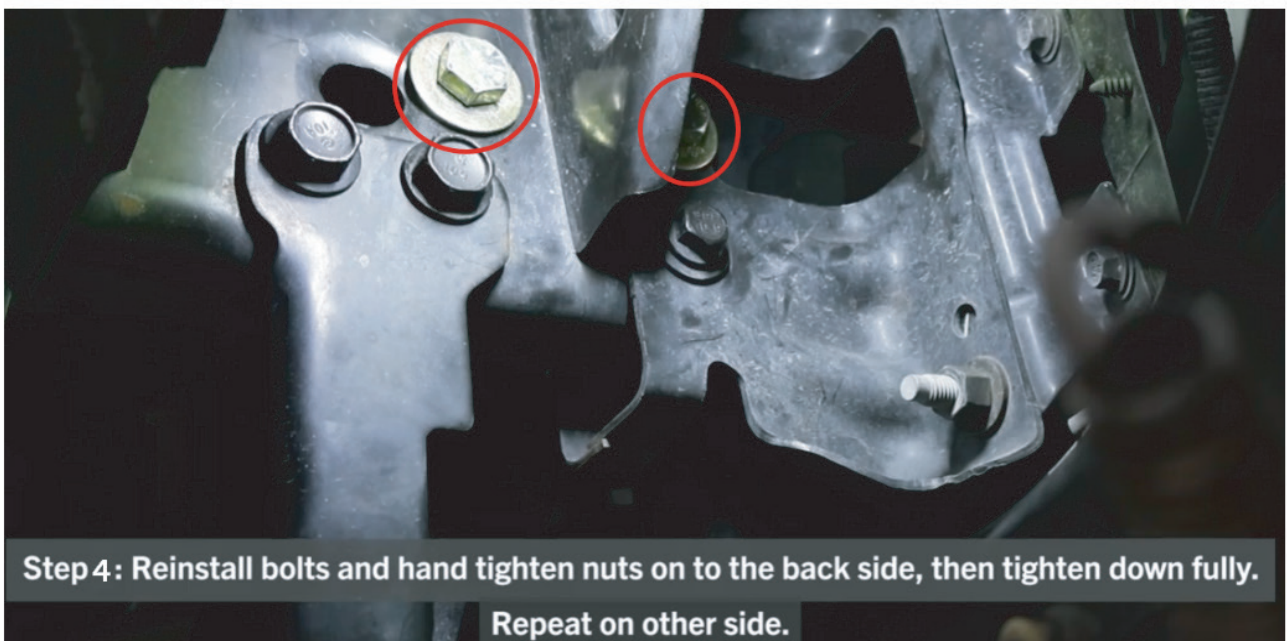
STEP 2A: Mark Bumper for trimming so frame bracket has clearance



STEP 2B: Trim Bumper away so frame bracket has clearance

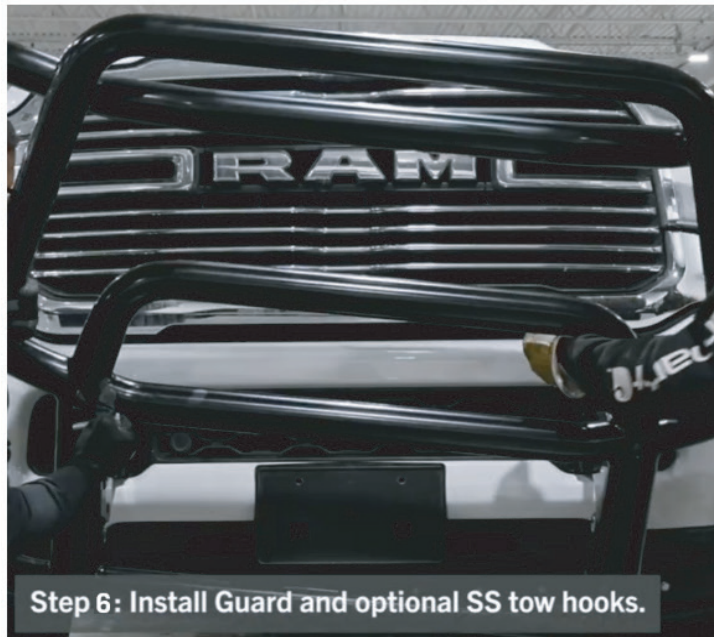


Step 3: Insert receiver mount bracket into tow hook slots



Step 4: Reinstall bolts and hand tighten nuts on to the back side, then tighten down fully.

Repeat on other side.







DRIVE SAFE!

