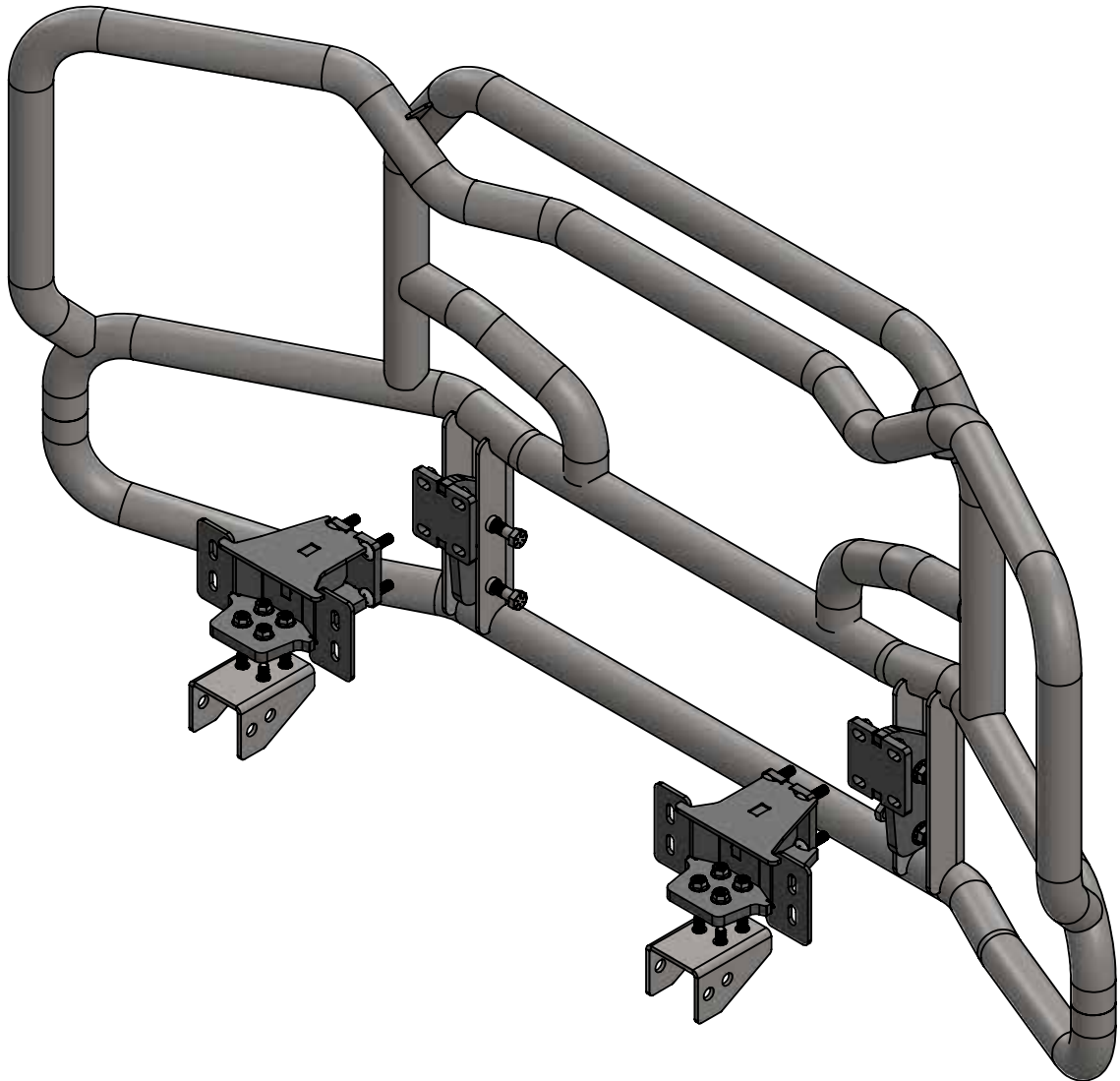


# MOUNTING INSTRUCTIONS - MB-17FX-FD25 MT



CALL: (888) 902-2777 FOR INSTALLATION QUESTIONS OR EMAIL: [INFO@EX-GUARD.COM](mailto:INFO@EX-GUARD.COM)



SEE INSTALLATION GUIDE FOR DETAILED INSTALL INSTRUCTIONS



**IMPORTANT!!** Any Ex-Guard grille guard, bracket kit, or hardware must be used with corresponding Ex-Guard components. Use of any other product or brand with Ex-Guard products will immediately void the warranty provided by Ex-Guard Industries.

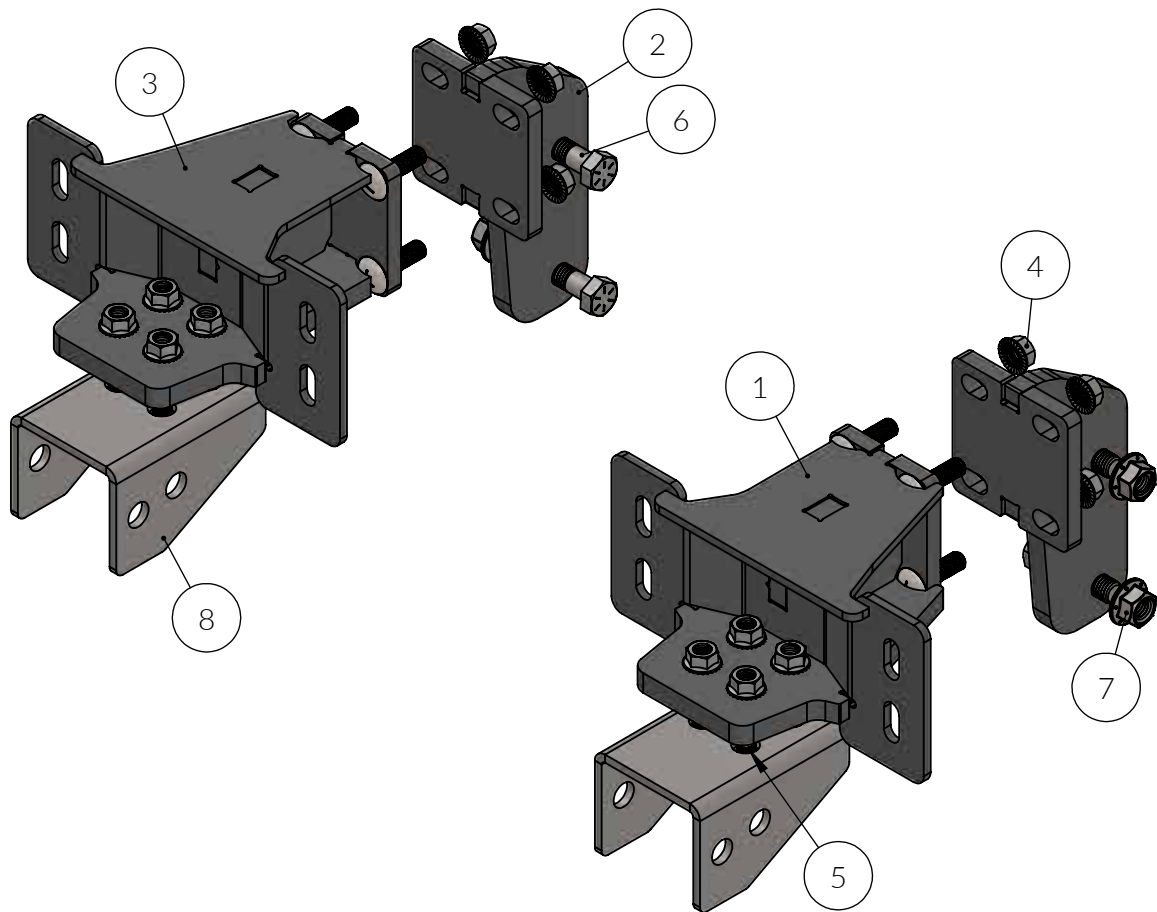
© THIS DRAWING IS THE PROPERTY OF EX-GUARD INDUSTRIES, INC. COPYRIGHT IS RESERVED BY THEM AND THE DRAWING ISSUED ON CONDITION THAT IT MUST NOT BE USED FOR ANY OTHER PURPOSE OTHER THAN FOR WHICH IT WAS SUPPLIED AND NOT TO BE COPIED, REPRODUCED, RETAINED OR DISCLOSED TO ANY UNAUTHORIZED PERSON EITHER WHOLLY OR IN PART WITHOUT THE CONSENT IN WRITING OF EX-GUARD INDUSTRIES INC.

# PARTS LIST - MB-17FX-FD25

## BOLT KIT - MB-BRK2

### COMPATIBLE GUARDS

- Check <https://ex-guard.com/>




  
 CALL: (888) 902-2777 FOR INSTALLATION QUESTIONS OR EMAIL: [INFO@EX-GUARD.COM](mailto:INFO@EX-GUARD.COM)



ITEM NO.	PART NUMBER	DESCRIPTION	QTY.
1	MB-17FX-FD25-BR10PS	PASSENGER SIDE MOUNTING BRACKET	1
2	MB-17FX-FD25-BR11	GUARD MOUNTING BRACKET	2
3	MB-17FX-FD25-BR10DR	DRIVER SIDE MOUNTING BRACKET	1
4	XG-001-50-13SFHNN8ZY	1/2"-13 SERRATED FLANGE HEX NUT	8
5	XG-001-50-13SFHHC2008ZY	1/2"-13 X 2" SERRATED FLANGE HEX HEAD CAPSCREW	8
6	XG-001-62-11HHC2508ZY	5/8-11 X 2 1/2" HEX HEAD CAPSCREW	4
7	XG-001-62-11FHHNTL8ZY	5/8"-11 TOP LOCK FLANGE HEX NUT GRADE 8 YELLOW ZINC PLATED STEEL	4
8	MB-17FX-FD25-BR07	FRAME SUPPORT GUSSET	2

**ATTENTION!!** Any Ex-Guard grille guard, bracket kit, or hardware must be used with corresponding Ex-Guard components. Use of any other product or brand with Ex-Guard products will immediately void the warranty provided by Ex-Guard Industries.

# MB-17FX-FD25 INSTALLATION INSTRUCTIONS

**STEP 1:**  
Locate the two bolts in the  
wheel well and remove them.



**Repeat this step on  
the other side.**

**STEP 2:**  
**Locate the electrical harness under the vehicle and unplug it.**



**STEP 3:**  
**Remove the two front tow hook covers.**



**STEP 4:**  
Locate the four bolts around the  
tow hook and remove them.



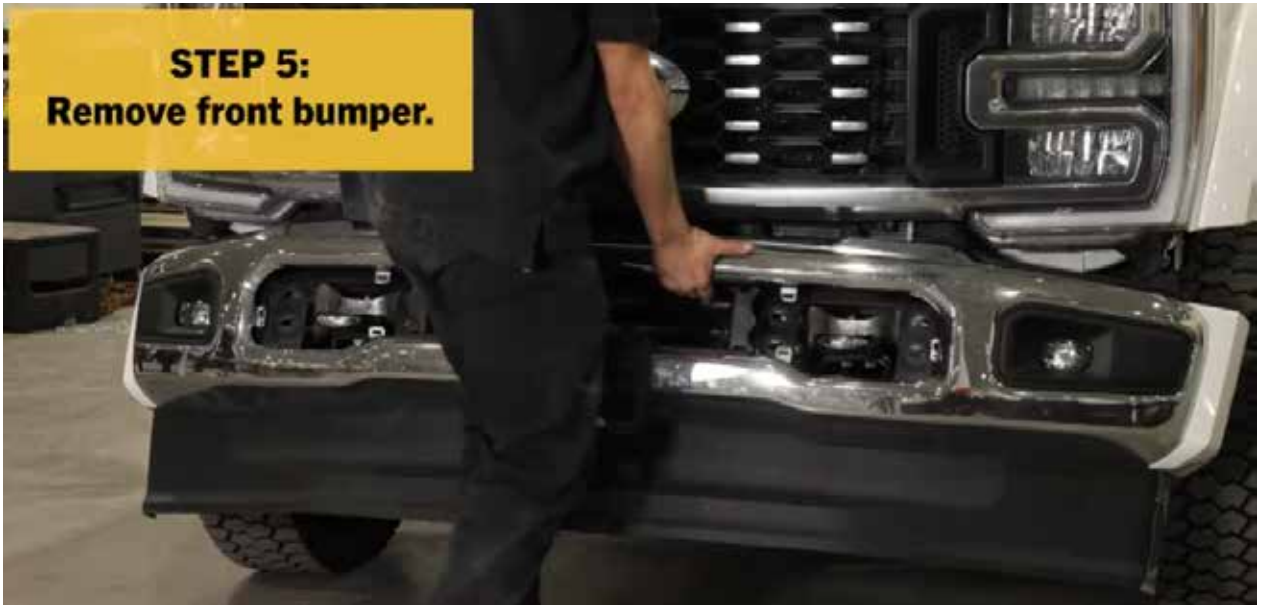
**NOTE:**  
Keep the removed hardware  
for later use.



**Repeat this step on  
the driver side.**



**STEP 5:**  
**Remove front bumper.**



**STEP 6:**  
**Locate these four bolts**  
**and remove them.**



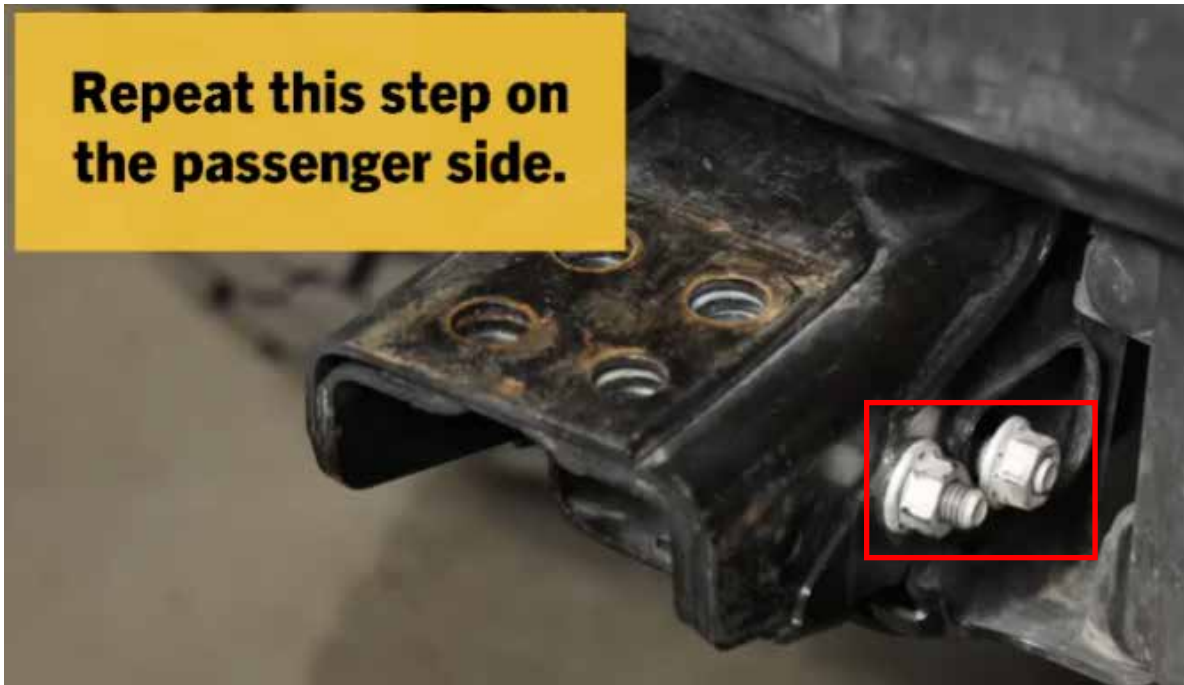
**Repeat this step on**  
**the driver side.**



**STEP 7:**  
Locate these two inside  
bolts and remove them.



**Repeat this step on  
the passenger side.**



**STEP 8:**  
**Locate these two outside**  
**bolts and remove them.**

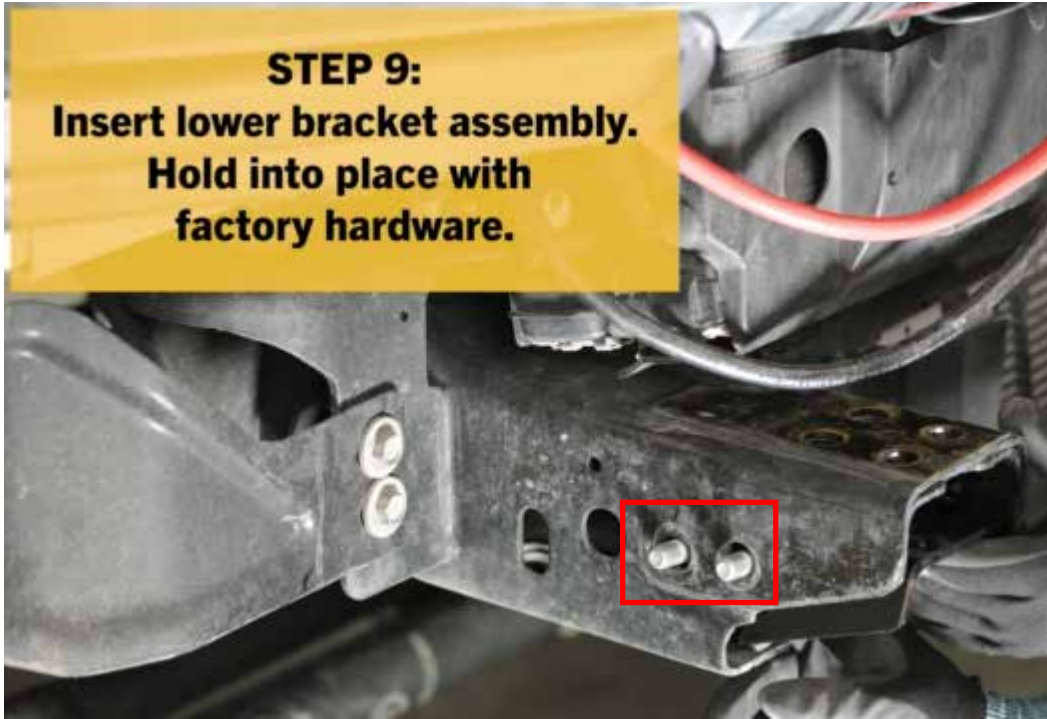


**Repeat this step on**  
**the passenger side.**





**STEP 9:**  
**Insert lower bracket assembly.**  
**Hold into place with**  
**factory hardware.**



**STEP 10:**  
**Reinstall factory**  
**hardware. Hand tighten.**





**STEP 11:**  
**Place upper bracket assembly on top  
and hand tighten bolts underneath going upwards.**



**STEP 11:**  
**Place upper bracket assembly on top  
and hand tighten bolts underneath going upwards.**







**STEP 15 :**  
**Reinstall front bumper.**



**STEP 16:**  
Reinstall factory hardware.

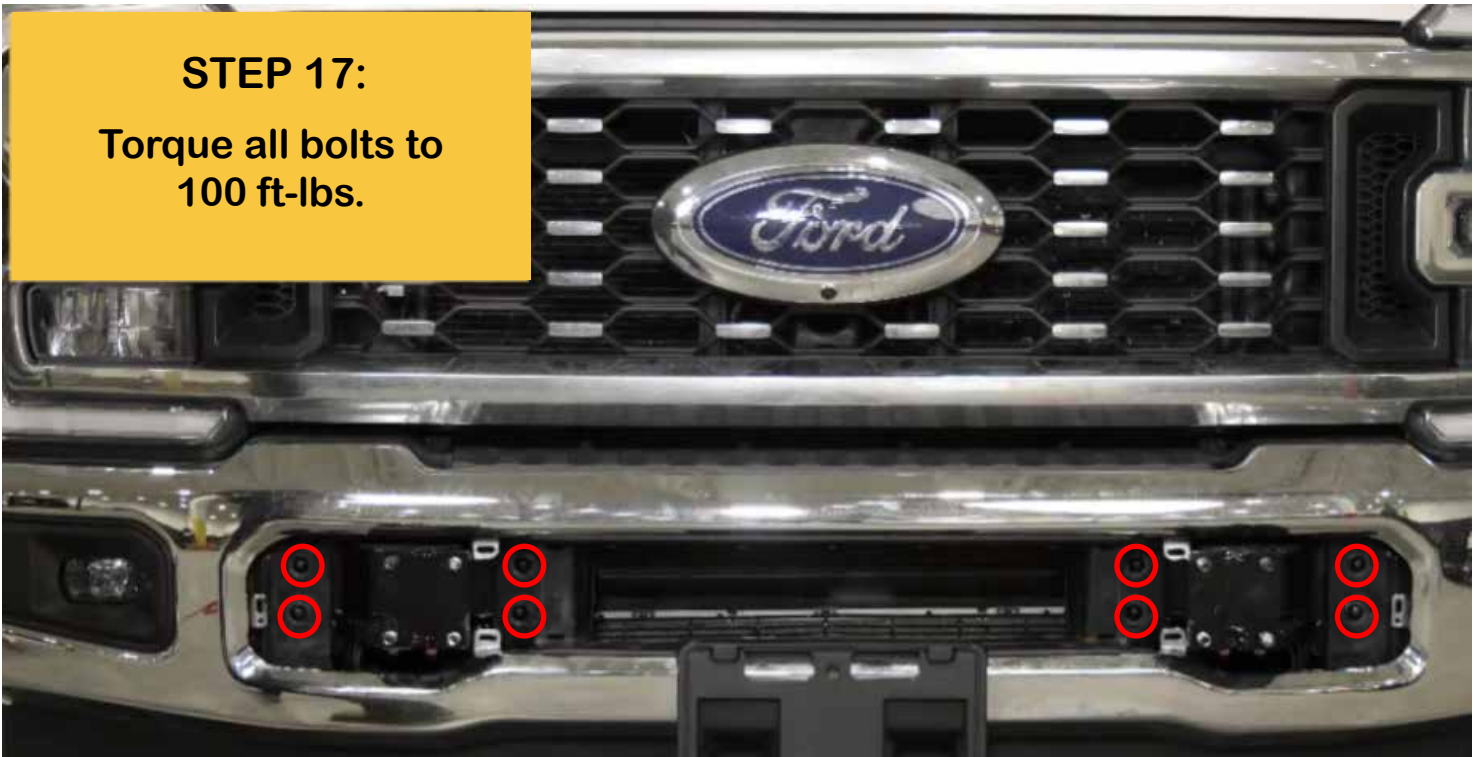


**Repeat this step on  
the driver side.**



**STEP 17:**

**Torque all bolts to  
100 ft-lbs.**



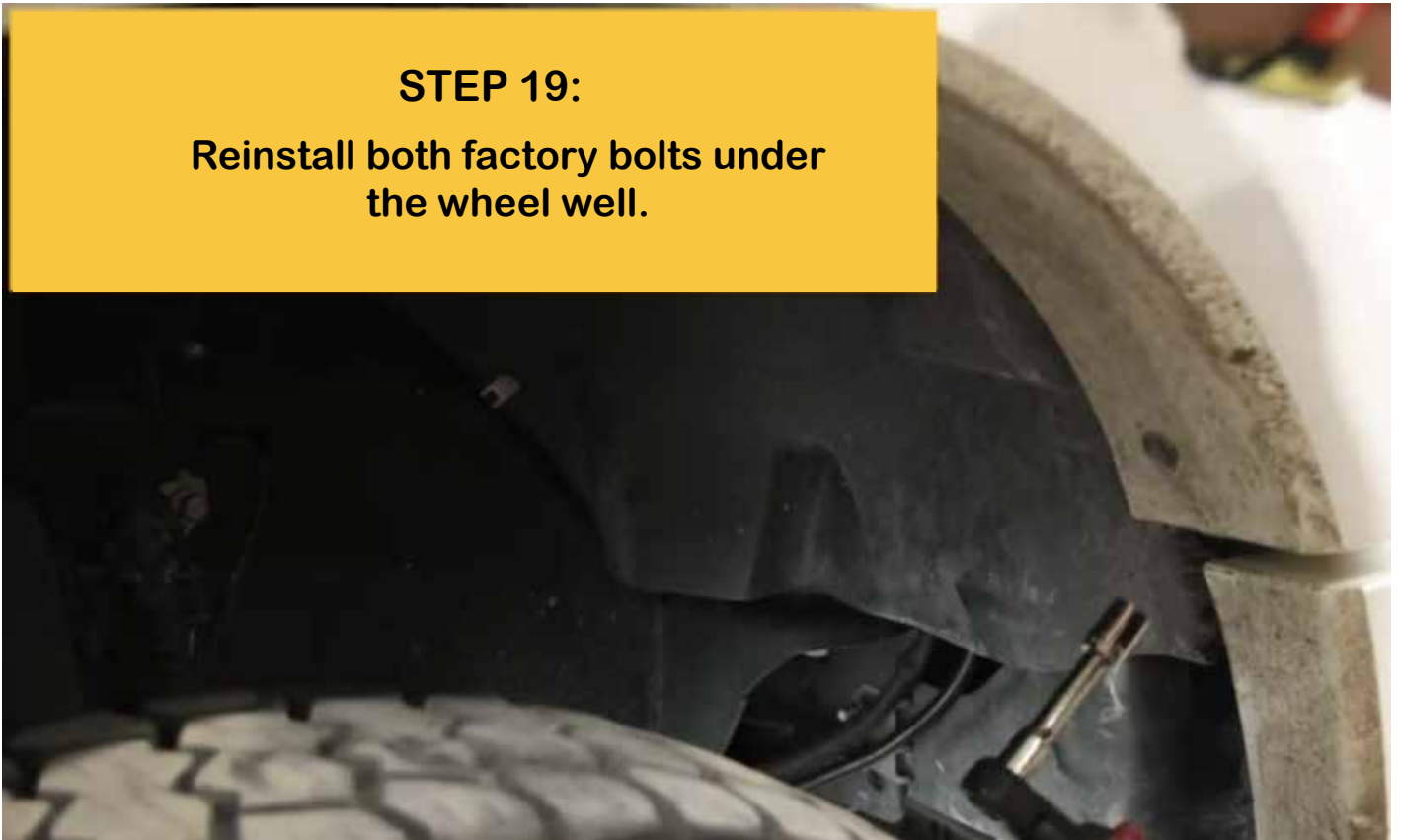
**STEP 18:**

**Reinstall tow hook covers.**



**STEP 19:**

**Reinstall both factory bolts under the wheel well.**



**STEP 20 :**

**Remove Ex-Guard from shipping pallet.**



**STEP 20:**  
**Remove Ex-Guard from**  
**shipping pallet.**



**STEP 20:**  
**Remove Ex-Guard from**  
**shipping pallet.**





**STEP 21 :**  
Install tow hooks and  
mounting brackets to the guard.  
Lightly tighten for adjustments.



**STEP 21 :**  
Install tow hooks and  
mounting brackets to the guard.  
Lightly tighten for adjustments.



**STEP 21 :**  
Install tow hooks and  
mounting brackets to the guard.  
Lightly tighten for adjustments.



**STEP 22 :**  
**Install the guard with mounting hardware.**



**STEP 22 :**  
**Install the guard with mounting hardware.**



**STEP 23:**  
Tighten bolts (tow hooks sold separately) torque to 225ft-lbs



**STEP 24:**  
Complete guard installation  
by torquing bolts to 100ft-lbs.

**DRIVE SAFE**

