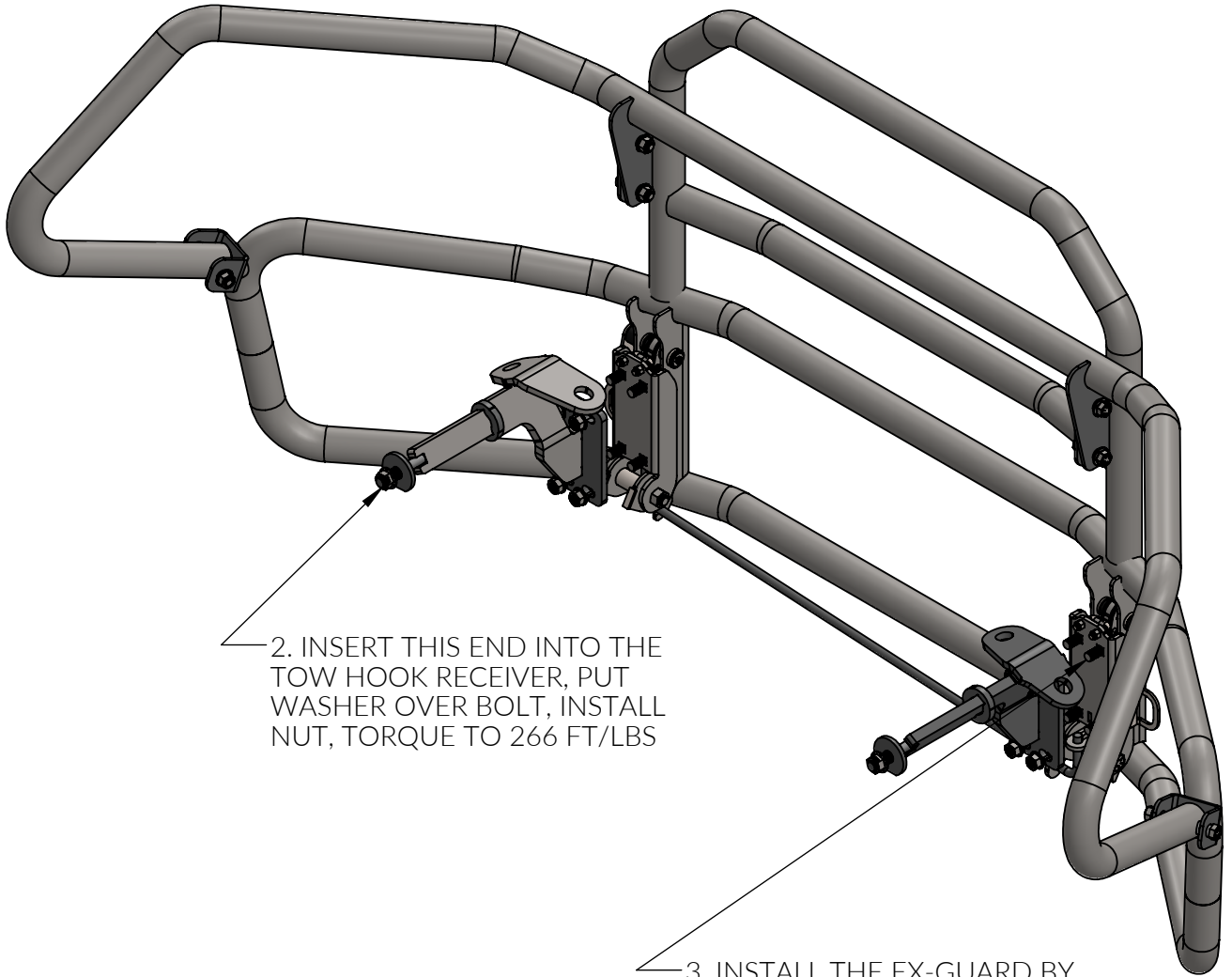


MOUNTING INSTRUCTIONS - XG-26FCAG5 MT

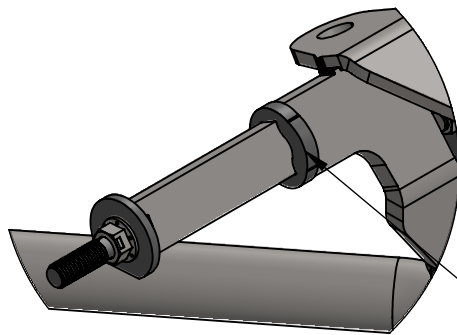


CALL: (888) 902-2777 FOR INSTALLATION QUESTIONS OR EMAIL: INFO@EX-GUARD.COM



2. INSERT THIS END INTO THE TOW HOOK RECEIVER, PUT WASHER OVER BOLT, INSTALL NUT, TORQUE TO 266 FT/LBS

3. INSTALL THE EX-GUARD BY INSERTING THE 5/8" STUDS INTO THE BRACKET SLOTS, INSTALL FLANGE NUTS, TORQUE TO 150 FT/LBS



1. INSERT THRUST WASHER ONTO THE BRACKET

DETAIL A
SCALE 1 : 6



IMPORTANT!! Any Ex-Guard grille guard, bracket kit, or hardware must be used with corresponding Ex-Guard components. Use of any other product or brand with Ex-Guard products will immediately void the warranty provided by Ex-Guard Industries.

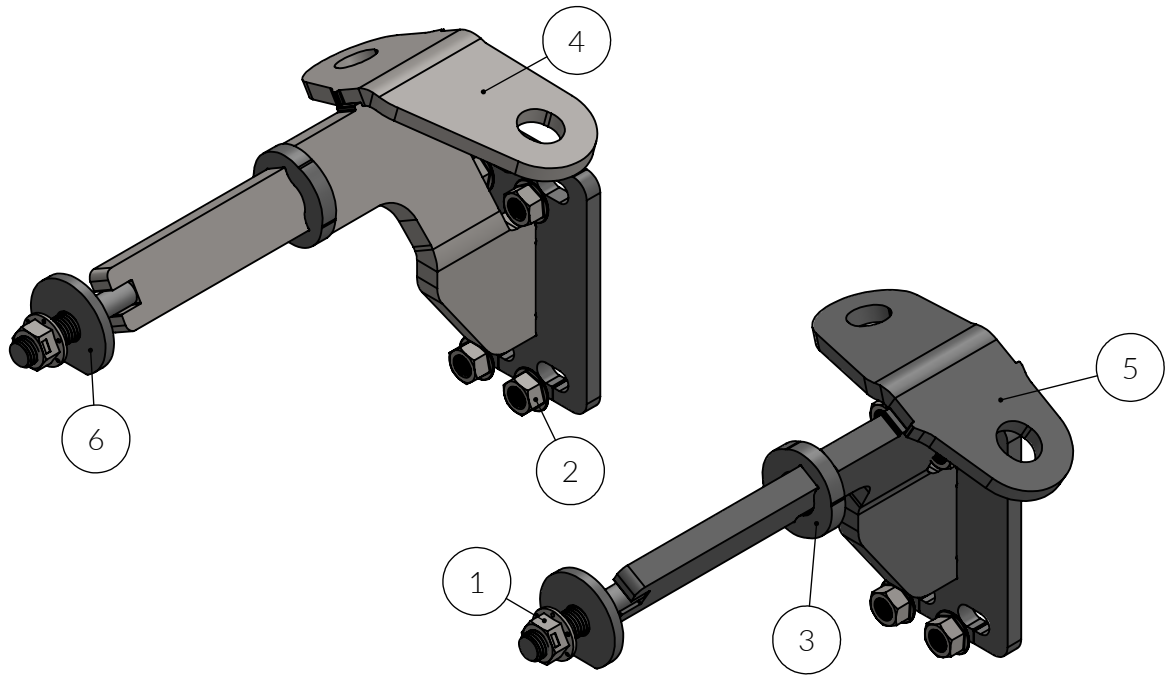
© THIS DRAWING IS THE PROPERTY OF EX-GUARD INDUSTRIES, INC. COPYRIGHT IS RESERVED BY THEM AND THE DRAWING ISSUED ON CONDITION THAT IT MUST NOT BE USED FOR ANY OTHER PURPOSE OTHER THAN FOR WHICH IT WAS SUPPLIED AND NOT TO BE COPIED, REPRODUCED, RETAINED OR DISCLOSED TO ANY UNAUTHORIZED PERSON EITHER WHOLLY OR IN PART WITHOUT THE CONSENT IN WRITING OF EX-GUARD INDUSTRIES INC.

PARTS LIST - XG-26FCAG5

BOLT KIT - XG-BRK23 & XG-BRK27

COMPATIBLE GUARDS

- Check <https://ex-guard.com/>



CALL: (888) 902-2777 FOR INSTALLATION QUESTIONS OR EMAIL: INFO@EX-GUARD.COM



| ITEM NO. | PART NUMBER | DESCRIPTION | QTY. |
|----------|-----------------------|---------------------------------|------|
| 1 | XG-001-75-10FHHNAL8ZY | 3/4"-10 FLANGE HEX AUTO LOCKNUT | 2 |
| 2 | XG-001-62-11FHHNL5Z | 5/8-11 FLANGE PATCH HEX NUT | 8 |
| 3 | XG-001-75-MPWZC | 3/4" MACHINED SUPPORT WASHER | 2 |
| 4 | XG-26FCAG5-BR10DR | DRIVER SIDE MOUNTING BRACKET | 1 |
| 5 | XG-26FCAG5-BR10PS | PASSENGER SIDE MOUNTING BRACKET | 1 |
| 6 | XG-001-75-MPFSWZC | 3/4" FLAT SIDE MACHINED WASHER | 2 |

ATTENTION!! Any Ex-Guard grille guard, bracket kit, or hardware must be used with corresponding Ex-Guard components. Use of any other product or brand with Ex-Guard products will immediately void the warranty provided by Ex-Guard Industries.