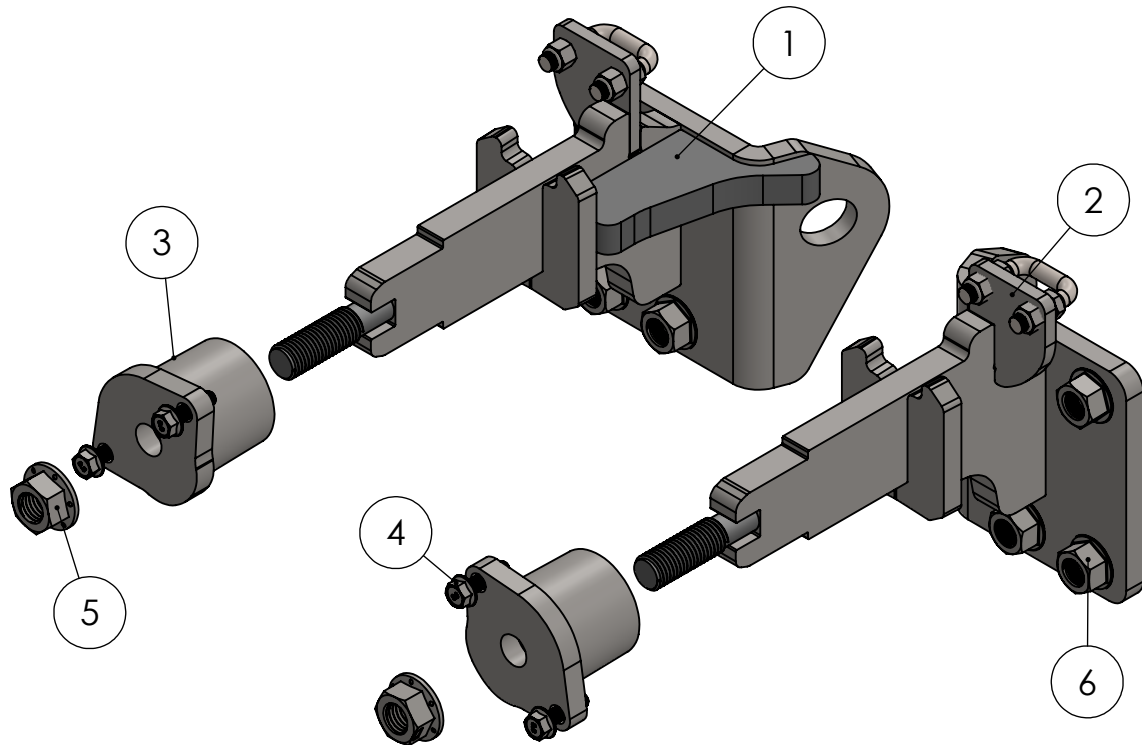


PARTS LIST - XG-26VNL

BOLT KIT - XG-BRK38

COMPATIBLE GUARDS

- Check <https://ex-guard.com/>



CALL: (888) 902-2777 FOR INSTALLATION QUESTIONS OR EMAIL: INFO@EX-GUARD.COM



ITEM NO.	PART NUMBER	DESCRIPTION	QTY.
1	XG-26VNL-BR10DR	26VNL DRIVER SIDE MOUNTING BRACKET	1
2	XG-26VNL-BR10PS	26VNL PASSENGER SIDE MOUNTING BRACKET	1
3	XG-26VNL-BR07SA	26VNL DRIVER SIDE RECIEVER SUPPORT ASSEMBLY	2
4	XG-001-M8-1.25FHHC308.8Z	M8X30MM FLANGE HEX HEAD CAPSCREW	4
5	XG-001-75-10FHHLN8ZY	3/4"-10 FLANGE HEX AUTO LOCKNUT	2
6	XG-001-62-11FHHLN5Z	5/8-11 FLANGE PATCH HEX NUT	6

ATTENTION!! Any Ex-Guard grille guard, bracket kit, or hardware must be used with corresponding Ex-Guard components. Use of any other product or brand with Ex-Guard products will immediately void the warranty provided by Ex-Guard Industries.

STEP 1:
Locate receiver covers
and remove on both sides.



STEP 2:
Open the hood of the truck.



STEP 3:
Locate these two bolts
and remove them.



STEP 4:
Remove the 3 pieces
inside the assembly.



STEP 4:
Remove the 3 pieces
inside the assembly.



STEP 4:
Remove the 3 pieces
inside the assembly.





STEP 5:
Insert passenger-side
bracket piece.



STEP 5:
Insert passenger-side
bracket piece.



STEP 6:
Apply thread lock to
both bolts.



STEP 9:
Repeat steps 3-8 on
driver-side.

STEP 10:
Close the hood.



STEP 11:
Insert both brackets.



STEP 11:
Insert both brackets.



STEP 11:
Insert both brackets.



STEP 12:
Open the hood.

STEP 13:
Install flange nuts
leaving 1/8" thread exposed.



STEP 14:
Close the hood.



STEP 15:
Install Ex-Guard.
Torque nuts to 225 ft-lb.





STEP 16:
Lower guard and
open the hood.



STEP 17:
Torque bracket nut to
250 ft-lb. Repeat on other side.



STEP 17:
Torque bracket nut to
250 ft-lb. Repeat on other side.

