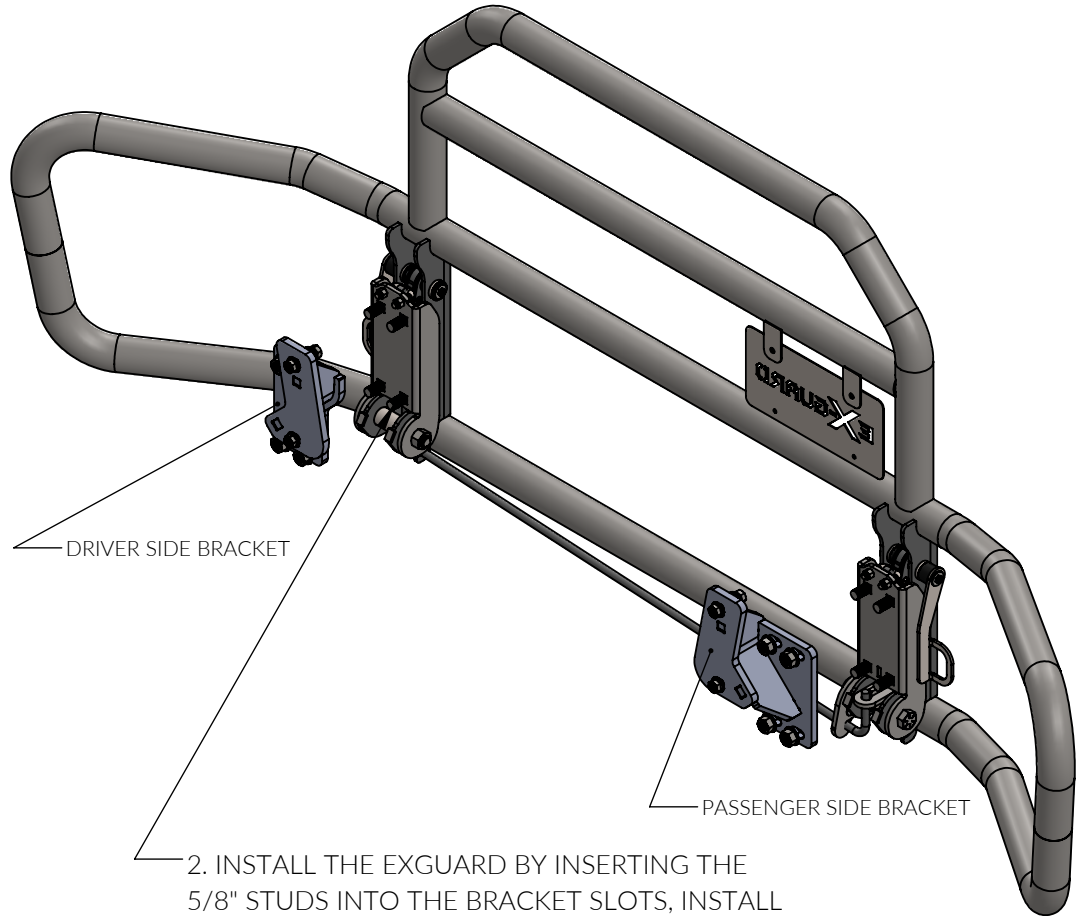


MOUNTING INSTRUCTIONS - XG-19IHV MTS INS



CALL: (888) 902-2777 FOR INSTALLATION QUESTIONS OR EMAIL: INFO@EX-GUARD.COM



1. REMOVE THE DRIVERS SIDE; TWO BOLTS THAT HOLD THE BUMPER ONTO THE FRAME INSTALL DRIVERS SIDE BRACKET USING BOLTS SUPPLIED, TORQUE TO 110 FT/LBS. REPEAT FOR OTHER SIDE. NOTE DO NOT REMOVE ALL FOUR AT SAME TIME AS THE BUMPER WILL COME COMPLETELY OFF.



IMPORTANT!! Any Ex-Guard grille guard, bracket kit, or hardware must be used with corresponding Ex-Guard components. Use of any other product or brand with Ex-Guard products will immediately void the warranty provided by Ex-Guard Industries.

© THIS DRAWING IS THE PROPERTY OF EX-GUARD INDUSTRIES, INC. COPYRIGHT IS RESERVED BY THEM AND THE DRAWING ISSUED ON CONDITION THAT IT MUST NOT BE USED FOR ANY OTHER PURPOSE OTHER THAN FOR WHICH IT WAS SUPPLIED AND NOT TO BE COPIED, REPRODUCED, RETAINED OR DISCLOSED TO ANY UNAUTHORIZED PERSON EITHER WHOLLY OR IN PART WITHOUT THE CONSENT IN WRITING OF EX-GUARD INDUSTRIES INC.



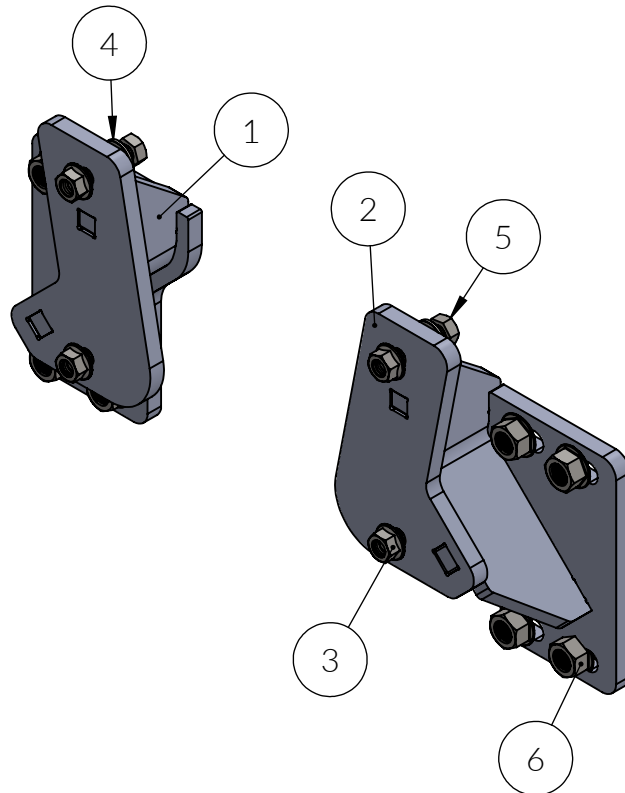
PARTS LIST - XG-19IHV

BOLT KIT - XG-BRK5 & XG-BRK23

COMPATIBLE GUARDS

- Check <https://ex-guard.com/>

CALL: (888) 902-2777 FOR INSTALLATION QUESTIONS OR EMAIL: INFO@EX-GUARD.COM



ITEM NO.	PART NUMBER	DESCRIPTION	QTY.
1	XG-19IHV-BR10L	MOUNTING BRACKET (DS)	1
2	XG-19IHV-BR10R	MOUNTING BRACKET (PS)	1
3	XG-001-50-13SFHHN8ZY	1/2"-13 SERRATED FLANGE HEX NUT	4
4	XG-001-50-SW8ZY	1/2" SAE WASHER	4
5	XG-001-50-13HHC2008ZY	1/2-13 X 2" HEX HEAD CAPSCREW	4
6	XG-001-62-11FHHNL5Z	5/8-11 FLANGE PATCH HEX NUT	8

ATTENTION!! Any Ex-Guard grille guard, bracket kit, or hardware must be used with corresponding Ex-Guard components. Use of any other product or brand with Ex-Guard products will immediately void the warranty provided by Ex-Guard Industries.