

MOUNTING INSTRUCTIONS - XG-24ILT MT



CALL: (888) 902-2777 FOR INSTALLATION QUESTIONS OR EMAIL: INFO@EX-GUARD.COM

TORQUE GUIDE

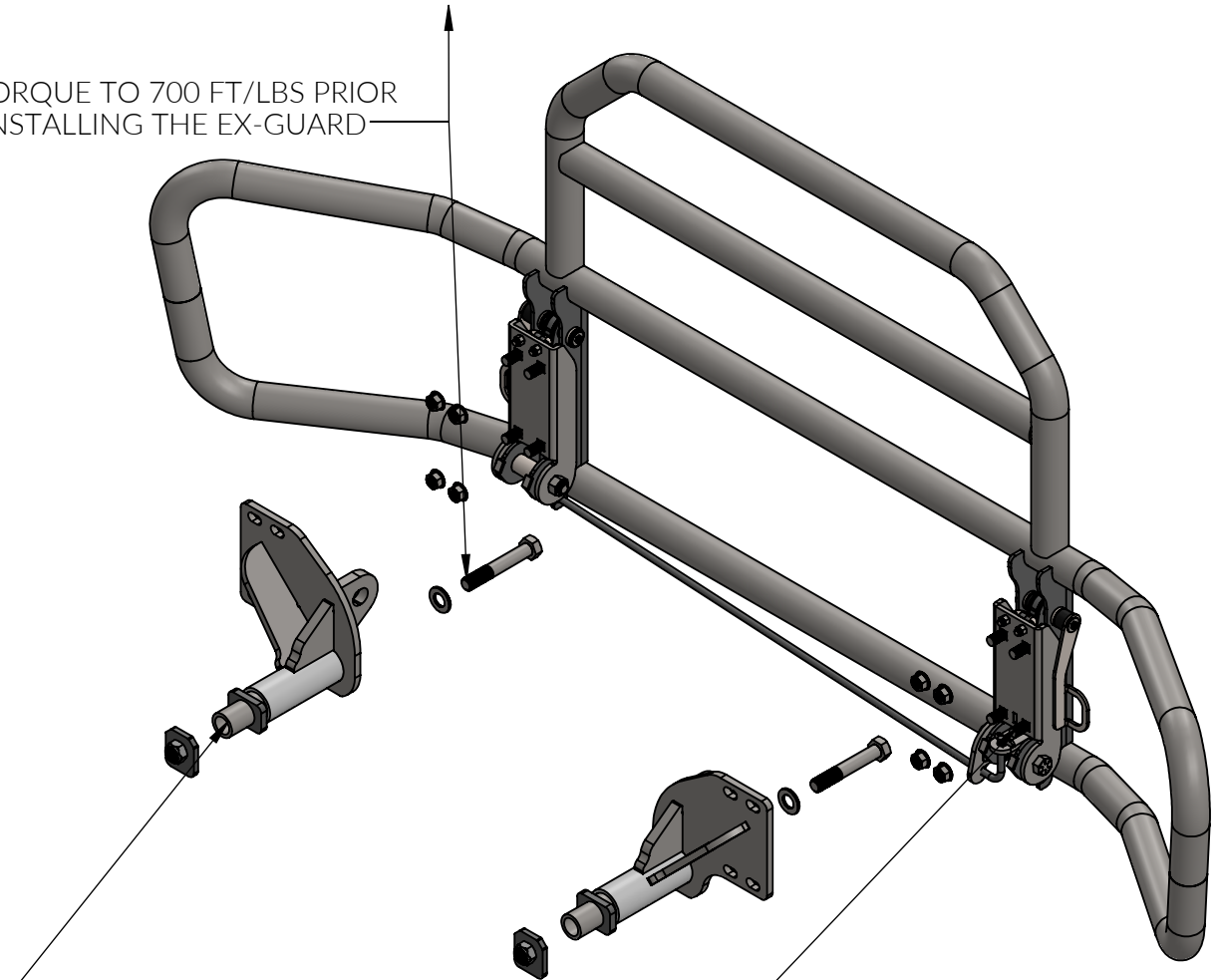
IF USING A 500FT/LB TORQUE WRENCH:

TIGHTEN TO 500FT/LBS THEN DO ADDITIONAL 1/2 TURN TIGHTEN

IF USING A 600 FT/LB TORQUE WRENCH:

TIGHTEN TO 600 FT/LBS THEN DO ADDITIONAL 1/4 TURN TIGHTEN

(2) TORQUE TO 700 FT/LBS PRIOR TO INSTALLING THE EX-GUARD



(1) INSERT THIS END INTO THE TOW HOOK RECEIVER, INCLUDING THE BOLT AND NUT AS SEEN IN THE ILLUSTRATION BELOW, SNUG THE BOLT UP, STILL ALLOWING THE BRACKET TO SWIVEL

(3) INSTALL THE EX-GUARD BY INSERTING 5/8 STUDS INTO BRACKET SLOTS, INSTALL FLANGE NUTS TORQUE NUT TO 150 FT/LBS



IMPORTANT!! Any Ex-Guard grille guard, bracket kit, or hardware must be used with corresponding Ex-Guard components. Use of any other product or brand with Ex-Guard products will immediately void the warranty provided by Ex-Guard Industries.

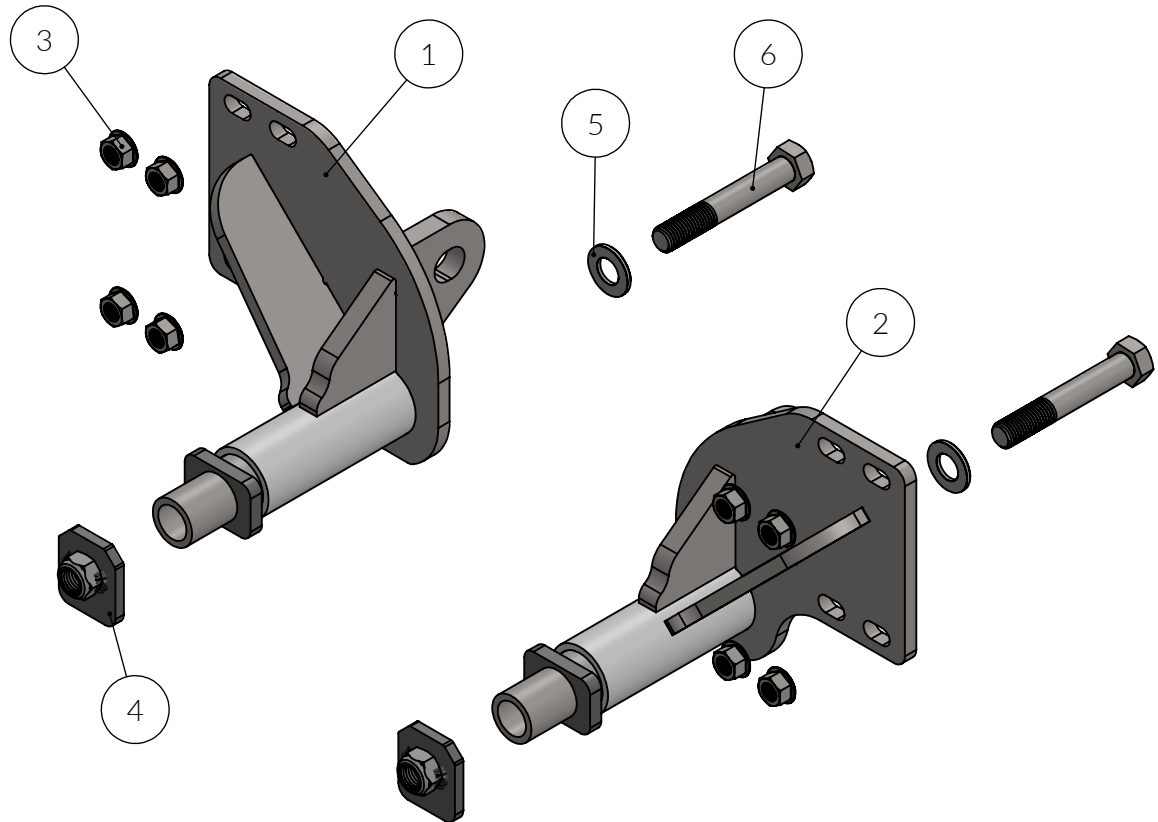
© THIS DRAWING IS THE PROPERTY OF EX-GUARD INDUSTRIES, INC. COPYRIGHT IS RESERVED BY THEM AND THE DRAWING ISSUED ON CONDITION THAT IT MUST NOT BE USED FOR ANY OTHER PURPOSE OTHER THAN FOR WHICH IT WAS SUPPLIED AND NOT TO BE COPIED, REPRODUCED, RETAINED OR DISCLOSED TO ANY UNAUTHORIZED PERSON EITHER WHOLLY OR IN PART WITHOUT THE CONSENT IN WRITING OF EX-GUARD INDUSTRIES INC.

PARTS LIST - XG-24ILT

BOLT KIT - XG-24ILT-BK

COMPATIBLE GUARDS

- Check <https://ex-guard.com/>



CALL: (888) 902-2777 FOR INSTALLATION QUESTIONS OR EMAIL: INFO@EX-GUARD.COM



ITEM NO.	PART NUMBER	DESCRIPTION	QTY.
1	XG-24ILT-BR10DS	MOUNTING BRACKET (DS)	1
2	XG-24ILT-BR10PS	MOUNTING BRACKET (PS)	1
3	XG-001-62-11FHHNL5Z	5/8-11 FLANGE PATCH HEX NUT	8
4	XG-17ILTE-BR08	BACKUP WASHER W/ NUT	2
5	XG-001-87-SW8ZY	7/8" SAE WASHER	2
6	XG-001-87-9HHC5508ZY	7/8"-9 X 5 1/2" HEX HEAD CAPSCREW	2

ATTENTION!! Any Ex-Guard grille guard, bracket kit, or hardware must be used with corresponding Ex-Guard components. Use of any other product or brand with Ex-Guard products will immediately void the warranty provided by Ex-Guard Industries.