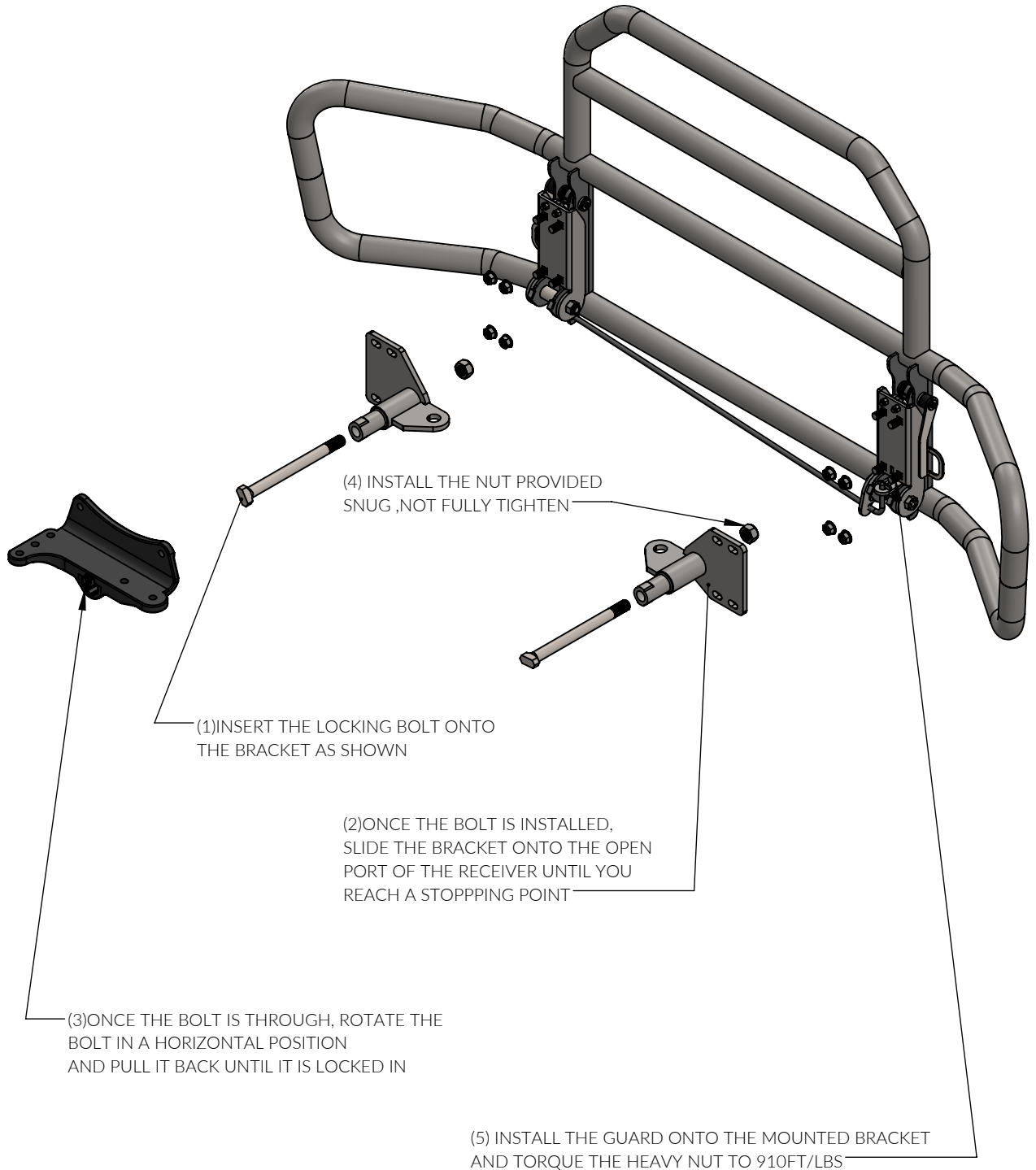


# MOUNTING INSTRUCTIONS - XG-20WS57LR MNT INST



CALL: (888) 902-2777 FOR INSTALLATION QUESTIONS OR EMAIL: [INFO@EX-GUARD.COM](mailto:INFO@EX-GUARD.COM)



**IMPORTANT!!** Any Ex-Guard grille guard, bracket kit, or hardware must be used with corresponding Ex-Guard components. Use of any other product or brand with Ex-Guard products will immediately void the warranty provided by Ex-Guard Industries.

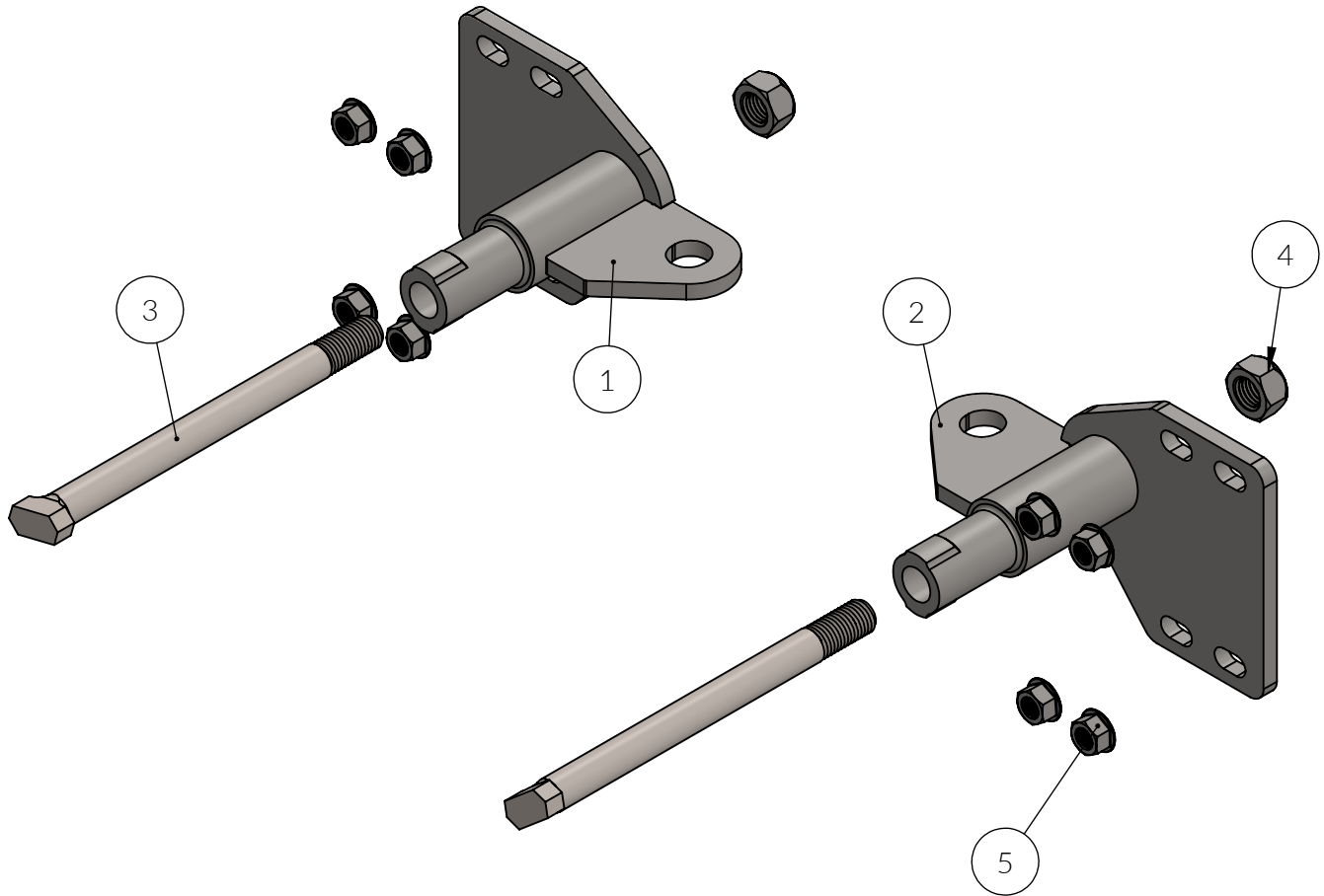
© THIS DRAWING IS THE PROPERTY OF EX-GUARD INDUSTRIES, INC. COPYRIGHT IS RESERVED BY THEM AND THE DRAWING ISSUED ON CONDITION THAT IT MUST NOT BE USED FOR ANY OTHER PURPOSE OTHER THAN FOR WHICH IT WAS SUPPLIED AND NOT TO BE COPIED, REPRODUCED, RETAINED OR DISCLOSED TO ANY UNAUTHORIZED PERSON EITHER WHOLLY OR IN PART WITHOUT THE CONSENT IN WRITING OF EX-GUARD INDUSTRIES INC.

## PARTS LIST - XG-20WS57LR

BOLT KIT - XG-BRK23

COMPATIBLE GUARDS

- Check <https://ex-guard.com/>



ITEM NO.	PART NUMBER	DESCRIPTION	QTY.
1	XG-20WS57LRPS	MOUNTING BRACKET (PS)	1
2	XG-20WS57LRDS	MOUNTING BRACKET (DS)	1
3	XG-20WS57LR-01	MACHINED BOLT	2
4	XG-001-100-8HHNTL8ZY	1"-8 TOP LOCK HEX NUT	2
5	XG-001-62-11FHHNL5Z	5/8-11 FLANGE PATCH HEX NUT	8

ATTENTION!! Any Ex-Guard grille guard, bracket kit, or hardware must be used with corresponding Ex-Guard components. Use of any other product or brand with Ex-Guard products will immediately void the warranty provided by Ex-Guard Industries.



CALL: (888) 902-2777 FOR INSTALLATION QUESTIONS OR EMAIL: [INFO@EX-GUARD.COM](mailto:INFO@EX-GUARD.COM)

