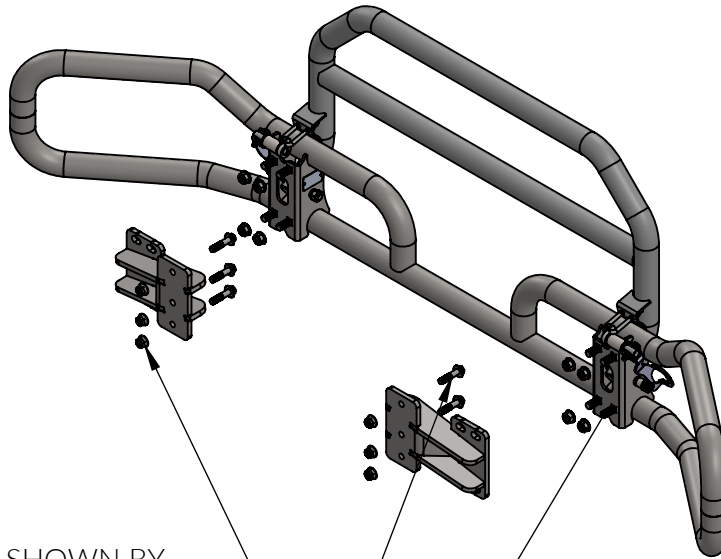
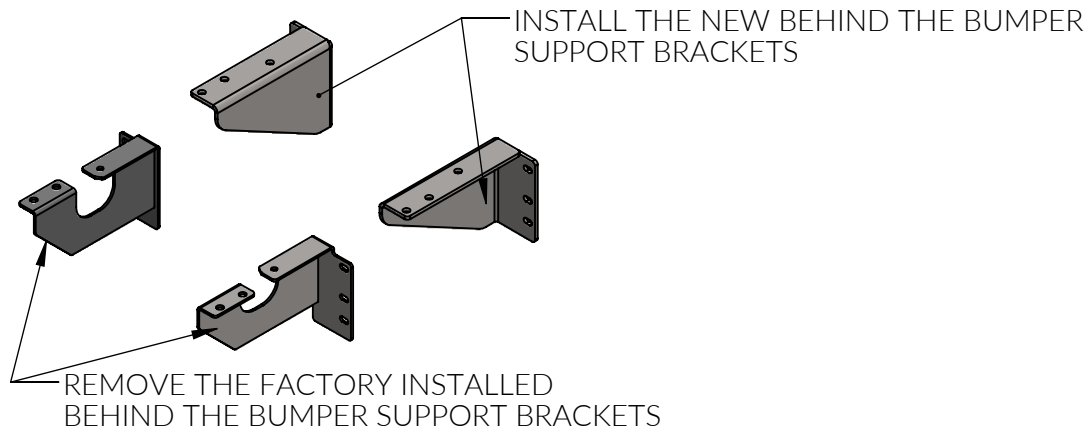


# MOUNTING INSTRUCTIONS - XG-24MD MT

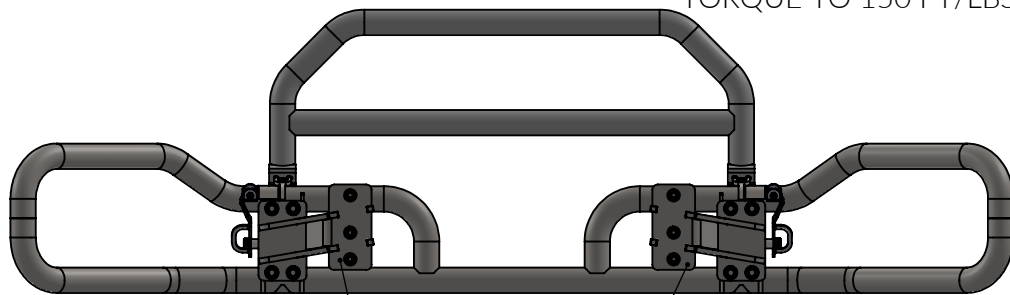


CALL: (888) 902-2777 FOR INSTALLATION QUESTIONS OR EMAIL: [INFO@EX-GUARD.COM](mailto:INFO@EX-GUARD.COM)



INSTALL BRACKETS AS SHOWN BY POSITIONING ON THE OUTSIDE OF THE FRAME. BACK OF BRACKET SHOULD REST AGAINST THE BUMPER BRACKET RIVITED TO THE FRAME. USE SUPPLIED BOLTS AND TORQUE TO FACTORY SETTINGS

INSTALL EX-GUARD BY INSERTING STUDS INTO MOUNTING BRACKETS AND TORQUE TO 150 FT/LBS



DRIVERS SIDE BRACKET

PASSENGER SIDE BRACKET



**IMPORTANT!!** Any Ex-Guard grille guard, bracket kit, or hardware must be used with corresponding Ex-Guard components. Use of any other product or brand with Ex-Guard products will immediately void the warranty provided by Ex-Guard Industries.

© THIS DRAWING IS THE PROPERTY OF EX-GUARD INDUSTRIES, INC. COPYRIGHT IS RESERVED BY THEM AND THE DRAWING ISSUED ON CONDITION THAT IT MUST NOT BE USED FOR ANY OTHER PURPOSE OTHER THAN FOR WHICH IT WAS SUPPLIED AND NOT TO BE COPIED, REPRODUCED, RETAINED OR DISCLOSED TO ANY UNAUTHORIZED PERSON EITHER WHOLLY OR IN PART WITHOUT THE CONSENT IN WRITING OF EX-GUARD INDUSTRIES INC.



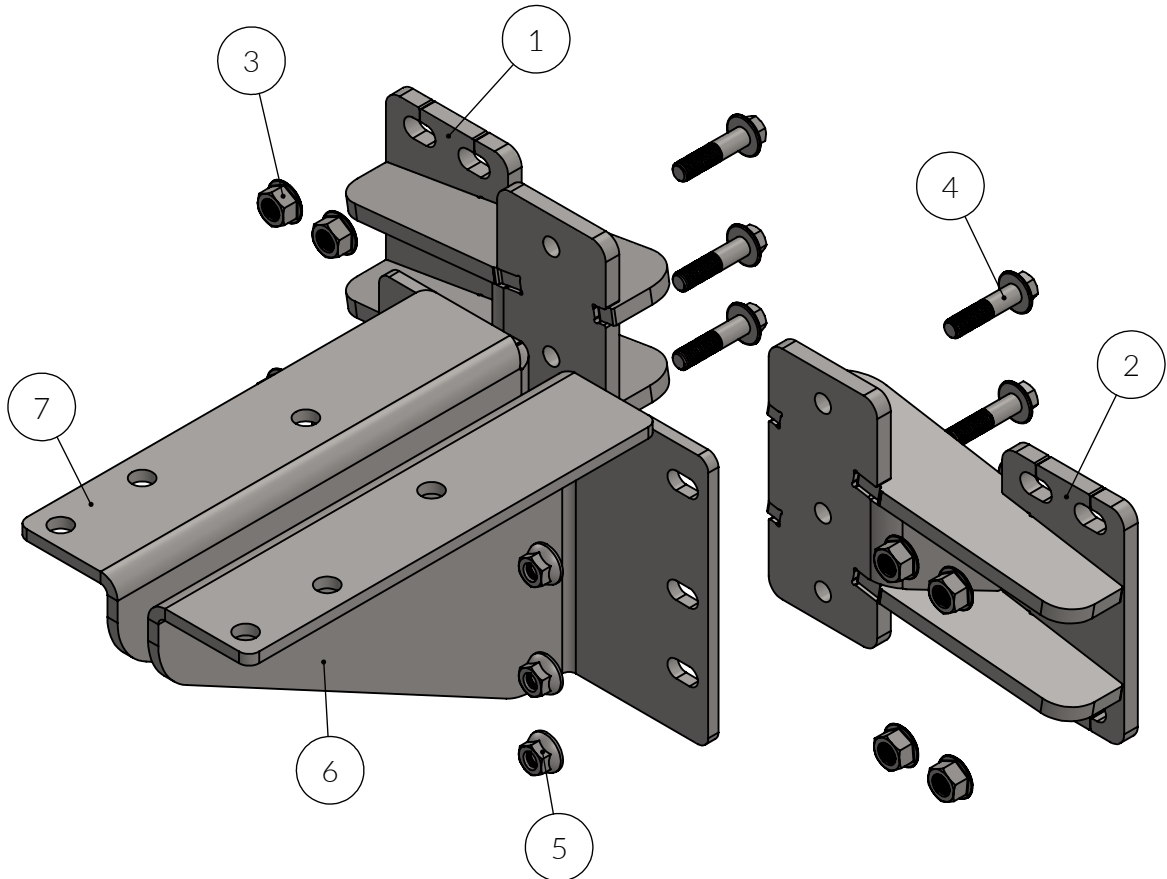
CALL: (888) 902-2777 FOR INSTALLATION QUESTIONS OR EMAIL: INFO@EX-GUARD.COM

# PARTS LIST - XG-24MD

BOLT KIT - XG-20MD-BK & XG-BRK23

## COMPATIBLE GUARDS

- Check <https://ex-guard.com/>



| ITEM NO. | PART NUMBER               | DESCRIPTION                       | QTY. |
|----------|---------------------------|-----------------------------------|------|
| 1        | XG-24MD-BR10L             | MOUNTING BRACKET (DS)             | 1    |
| 2        | XG-24MD-BR10R             | MOUNTING BRACKET (PS)             | 1    |
| 3        | XG-001-62-11FHHNL5Z       | 5/8-11 FLANGE HEX NUT             | 8    |
| 4        | XG-001-M14-2.00FHHC608.8Z | M14X60MM FLANGE HEX HEAD CAPSCREW | 6    |
| 5        | XG-001-M14-2.00FHHNTL8.8Z | M14 FLANGE TOP LOCK HEX NUT       | 6    |
| 6        | XG-24MDBSPS               | XG-20MD BEHIND BUMPER SUPPORT PS  | 1    |
| 7        | XG-24MDBSDS               | XG-20MD BEHIND BUMPER SUPPORT DS  | 1    |

ATTENTION!! Any Ex-Guard grille guard, bracket kit, or hardware must be used with corresponding Ex-Guard components. Use of any other product or brand with Ex-Guard products will immediately void the warranty provided by Ex-Guard Industries.