



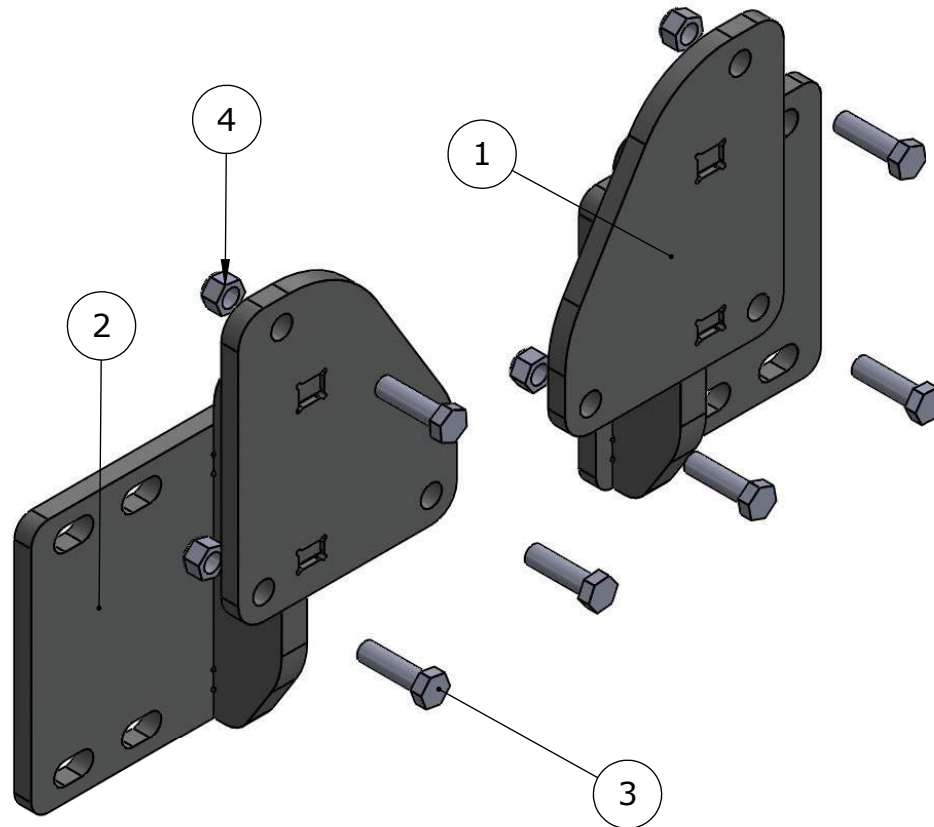
CALL: (888) 902-2777 FOR INSTALLATION QUESTIONS OR EMAIL: INFO@EX-GUARD.COM

PARTS LIST - XG-99P379

BOLT KIT - XG-BRK18

COMPATIBLE GUARDS

- XG-B200, XG-225, XG-250



ITEM NO.	PART NUMBER	DESCRIPTION	QTY.
1	XG-99P379-BR10PS	MOUNTING BRACKET (RHS)	1
2	XG-99P379-BR10DR	MOUNTING BRACKET (LHS)	1
3	XG-001-50C175HCS8Y	1/2-13X1 3/4" Hex Cap GR8 Z&Y	6
4	XG-001-50CNNE8Y	1/2-13 NYLON INSERT L/N Z&Y	6

ATTENTION!! Any Ex-Guard grille guard, bracket kit, or hardware must be used with corresponding Ex-Guard components. Use of any other product or brand with Ex-Guard products will immediately void the warranty provided by Ex-Guard Industries.

© THIS DRAWING IS THE PROPERTY OF EX-GUARD INDUSTRIES, INC. COPYRIGHT IS RESERVED BY THEM AND THE DRAWING ISSUED ON CONDITION THAT IT MUST NOT BE USED FOR ANY OTHER PURPOSE OTHER THAN FOR WHICH IT WAS SUPPLIED AND NOT TO BE COPIED, REPRODUCED, RETAINED OR DISCLOSED TO ANY UNAUTHORIZED PERSON EITHER WHOLLY OR IN PART WITHOUT THE CONSENT IN WRITING OF EX-GUARD INDUSTRIES INC.

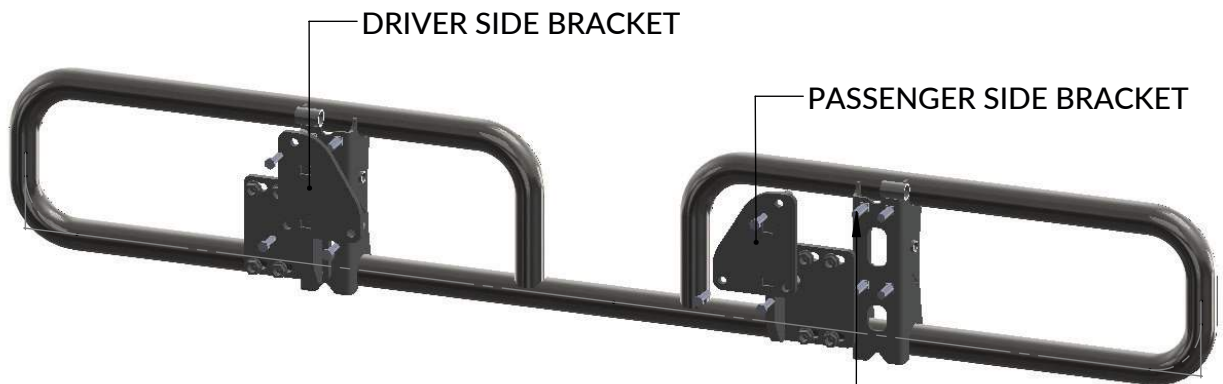


CALL: (888) 902-2777 FOR INSTALLATION QUESTIONS OR EMAIL: INFO@EX-GUARD.COM

MOUNTING INSTRUCTIONS - XG-99P379 MT INS

PETERBILT 378 SET-FORWARD ('99 - CURRENT),
379 ('99 - CURRENT)

(1) LOCATE MOUNTING AREA ON BUMPER, POSITION BRACKET ON THE BUMPER OPENING SO THAT THE THREE HOLES LINE UP WITH THE THREE HOLES ON THE BUMPER, INSERT BOLTS SUPPLIES AND TORQUE TO 150 FT/LBS.



(2) INSTALL THE EX-GUARD BY INSERTING 5/8" STUDS INTO BRACKET SLOTS, INSTALL FLANGE NUTS AND TORQUE TO 150 FT/LBS.



IMPORTANT!! Any Ex-Guard grille guard, bracket kit, or hardware must be used with corresponding Ex-Guard components. Use of any other product or brand with Ex-Guard products will immediately void the warranty provided by Ex-Guard Industries.

© THIS DRAWING IS THE PROPERTY OF EX-GUARD INDUSTRIES, INC. COPYRIGHT IS RESERVED BY THEM AND THE DRAWING ISSUED ON CONDITION THAT IT MUST NOT BE USED FOR ANY OTHER PURPOSE OTHER THAN FOR WHICH IT WAS SUPPLIED AND NOT TO BE COPIED, REPRODUCED, RETAINED OR DISCLOSED TO ANY UNAUTHORIZED PERSON EITHER WHOLLY OR IN PART WITHOUT THE CONSENT IN WRITING OF EX-GUARD INDUSTRIES INC.