



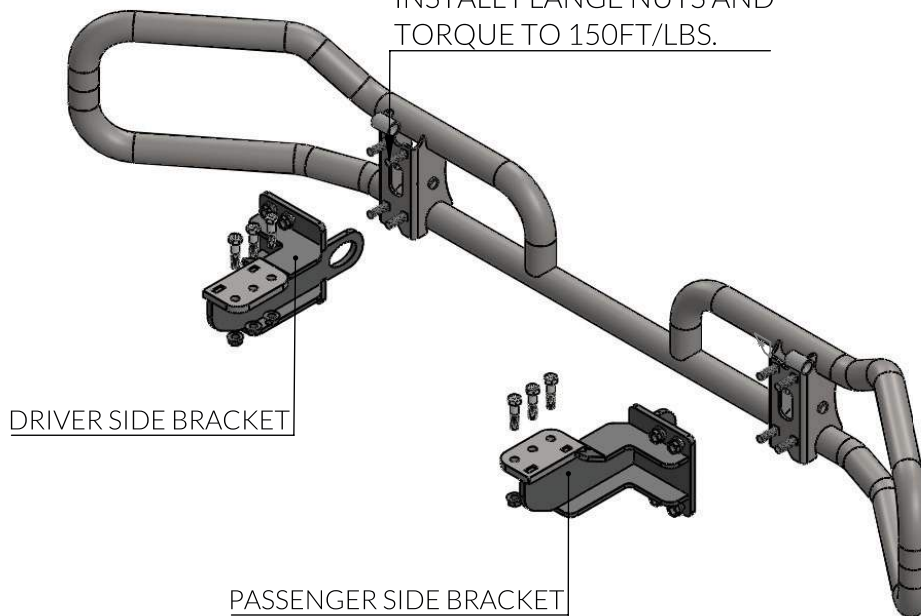
MOUNTING INSTRUCTIONS - XG-99FCOL1 MT

FREIGHTLINER COLUMBIA ('99 - '03)

CALL: (888) 902-2777 FOR INSTALLATION QUESTIONS OR EMAIL: INFO@EX-GUARD.COM

(1) LOCATE MOUNTING AREA ON FRAME AND REMOVE TOW HOOKS IF APPLICABLE. POSITION BRACKET THROUGH THE BUMPER OPENING SO THAT THE THREE HOLES LINE UP WITH THE THREE HOLES IN THE FRAME. INSERT BOLTS SUPPLIED AND TORQUE TO 150 FT/LBS.

(2) INSTALL THE EX-GUARD BY INSERTING 5/8" STUDS INTO BRACKET SLOTS, INSTALL FLANGE NUTS AND TORQUE TO 150FT/LBS.



IMPORTANT!! Any Ex-Guard grille guard, bracket kit, or hardware must be used with corresponding Ex-Guard components. Use of any other product or brand with Ex-Guard products will immediately void the warranty provided by Ex-Guard Industries.