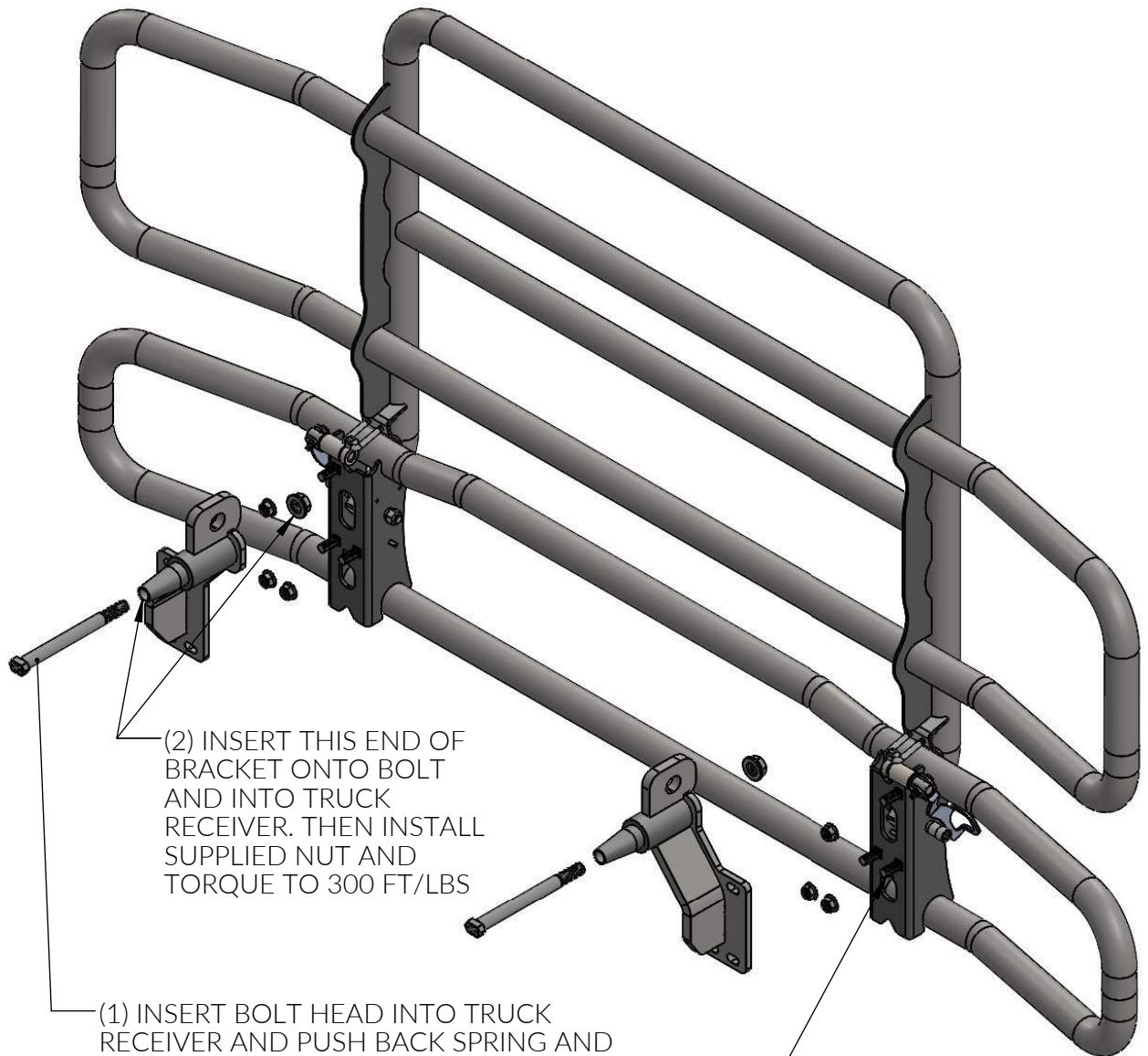




MOUNTING INSTRUCTIONS - XG-24WS49XRS MT

CALL: (888) 902-2777 FOR INSTALLATION QUESTIONS OR EMAIL: INFO@EX-GUARD.COM



(2) INSERT THIS END OF BRACKET ONTO BOLT AND INTO TRUCK RECEIVER. THEN INSTALL SUPPLIED NUT AND TORQUE TO 300 FT/LBS

(1) INSERT BOLT HEAD INTO TRUCK RECEIVER AND PUSH BACK SPRING AND TURN BOLT HEAD SO BOLT LOCKS INTO PLACE.

(3) INSTALL THE EX-GUARD BY INSERTING THE STUDS INTO BRACKET SLOTS AND INSTALL THE FLANGE NUTS. TORQUE TO 150 FT/LBS



IMPORTANT!! Any Ex-Guard grille guard, bracket kit, or hardware must be used with corresponding Ex-Guard components. Use of any other product or brand with Ex-Guard products will immediately void the warranty provided by Ex-Guard Industries.

© THIS DRAWING IS THE PROPERTY OF EX-GUARD INDUSTRIES, INC. COPYRIGHT IS RESERVED BY THEM AND THE DRAWING ISSUED ON CONDITION THAT IT MUST NOT BE USED FOR ANY OTHER PURPOSE OTHER THAN FOR WHICH IT WAS SUPPLIED AND NOT TO BE COPIED, REPRODUCED, RETAINED OR DISCLOSED TO ANY UNAUTHORIZED PERSON EITHER WHOLLY OR IN PART WITHOUT THE CONSENT IN WRITING OF EX-GUARD INDUSTRIES INC.



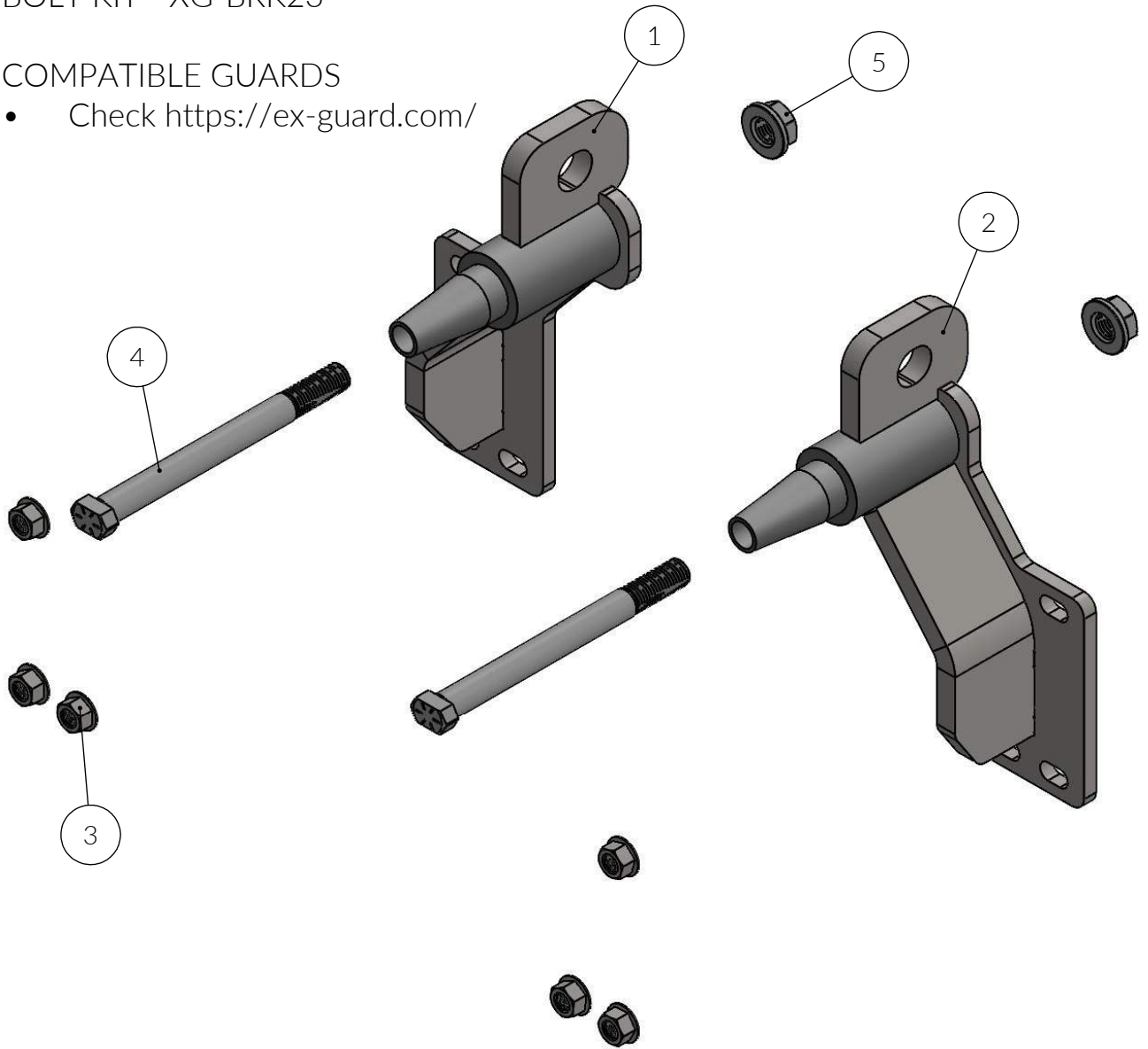
CALL: (888) 902-2777 FOR INSTALLATION QUESTIONS OR EMAIL: INFO@EX-GUARD.COM

PARTS LIST - XG-24WS49XRS

BOLT KIT - XG-BRK23

COMPATIBLE GUARDS

- Check <https://ex-guard.com/>



ITEM NO.	PART NUMBER	DESCRIPTION	QTY.
1	XG-24WS49XRS-BR10DR	MOUNTING BRACKET DS	1
2	XG-24WS49XRS-BR10PS	MOUNTING BRACKET PS	1
3	XG-001-62CNWF0Z_HARD	5/8-11 FLANGE AUTO LOCKNUT	6
4	XG-24WS49XRS-BR01A	7/8"-9 X 10" BOLT	2
5	XG-001-87CNWF0Y	7/8" FLANGE HEX NUT	2

ATTENTION!! Any Ex-Guard grille guard, bracket kit, or hardware must be used with corresponding Ex-Guard components. Use of any other product or brand with Ex-Guard products will immediately void the warranty provided by Ex-Guard Industries.

