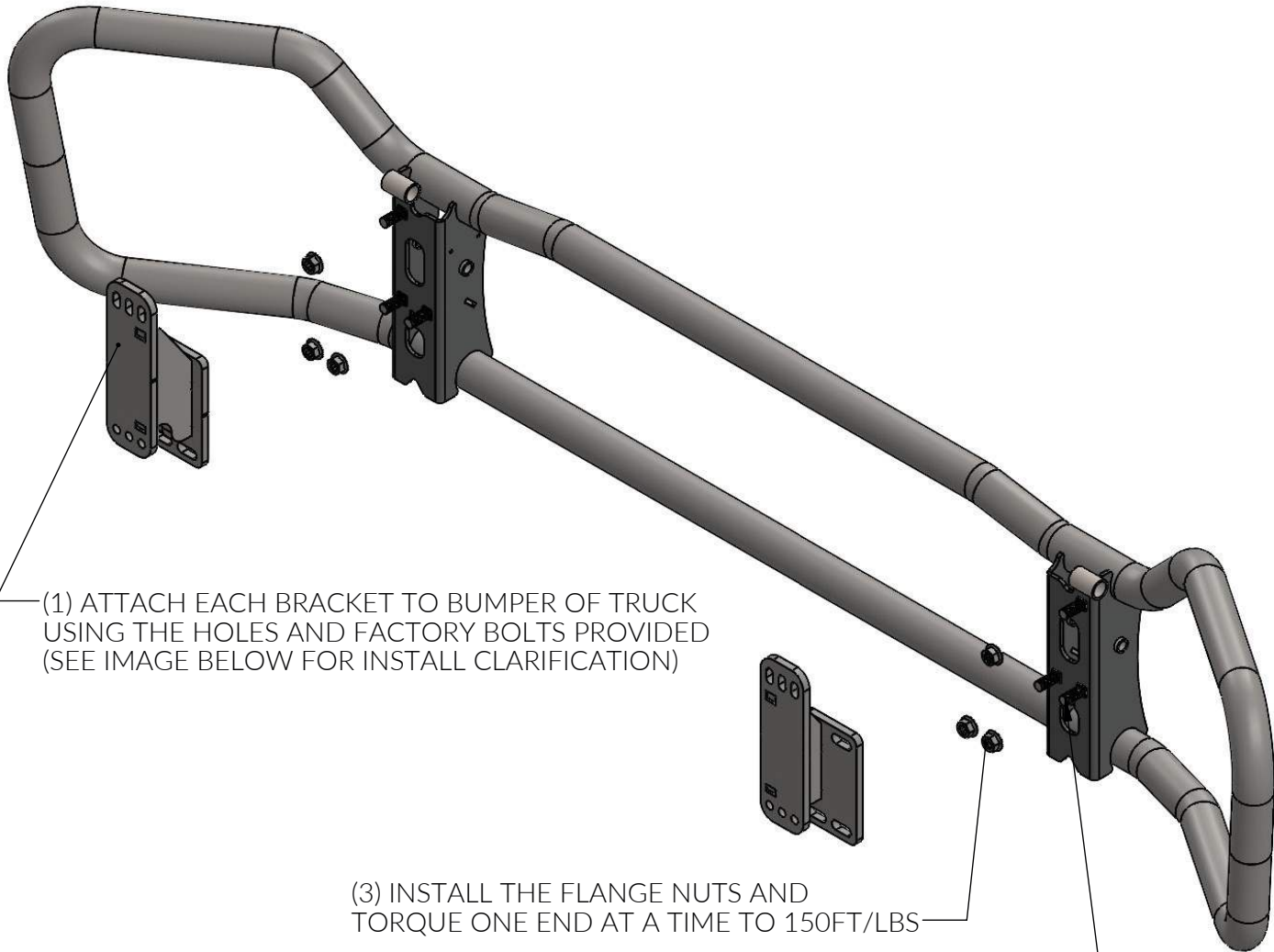




MOUNTING INSTRUCTIONS - XG-24WS49X MNT INST

CALL: (888) 902-2777 FOR INSTALLATION QUESTIONS OR EMAIL: INFO@EX-GUARD.COM

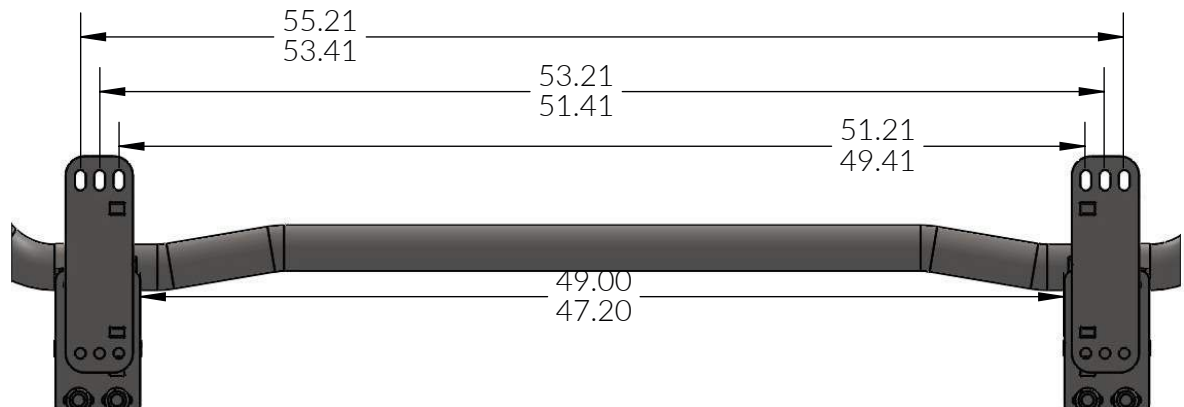


(1) ATTACH EACH BRACKET TO BUMPER OF TRUCK USING THE HOLES AND FACTORY BOLTS PROVIDED (SEE IMAGE BELOW FOR INSTALL CLARIFICATION)

(3) INSTALL THE FLANGE NUTS AND TORQUE ONE END AT A TIME TO 150FT/LBS

(2) INSTALL THE EX-GUARD BY INSERTING THE STUDS INTO BRACKET SLOTS.

MEASURE TRUCK BUMPER BOLT TO BOLT DISTANCE
USE HOLE IN BRACKET CLOSEST TO THAT MEASUREMENT



IMPORTANT!! Any Ex-Guard grille guard, bracket kit, or hardware must be used with corresponding Ex-Guard components. Use of any other product or brand with Ex-Guard products will immediately void the warranty provided by Ex-Guard Industries.

© THIS DRAWING IS THE PROPERTY OF EX-GUARD INDUSTRIES, INC. COPYRIGHT IS RESERVED BY THEM AND THE DRAWING ISSUED ON CONDITION THAT IT MUST NOT BE USED FOR ANY OTHER PURPOSE OTHER THAN FOR WHICH IT WAS SUPPLIED AND NOT TO BE COPIED, REPRODUCED, RETAINED OR DISCLOSED TO ANY UNAUTHORIZED PERSON EITHER WHOLLY OR IN PART WITHOUT THE CONSENT IN WRITING OF EX-GUARD INDUSTRIES INC.





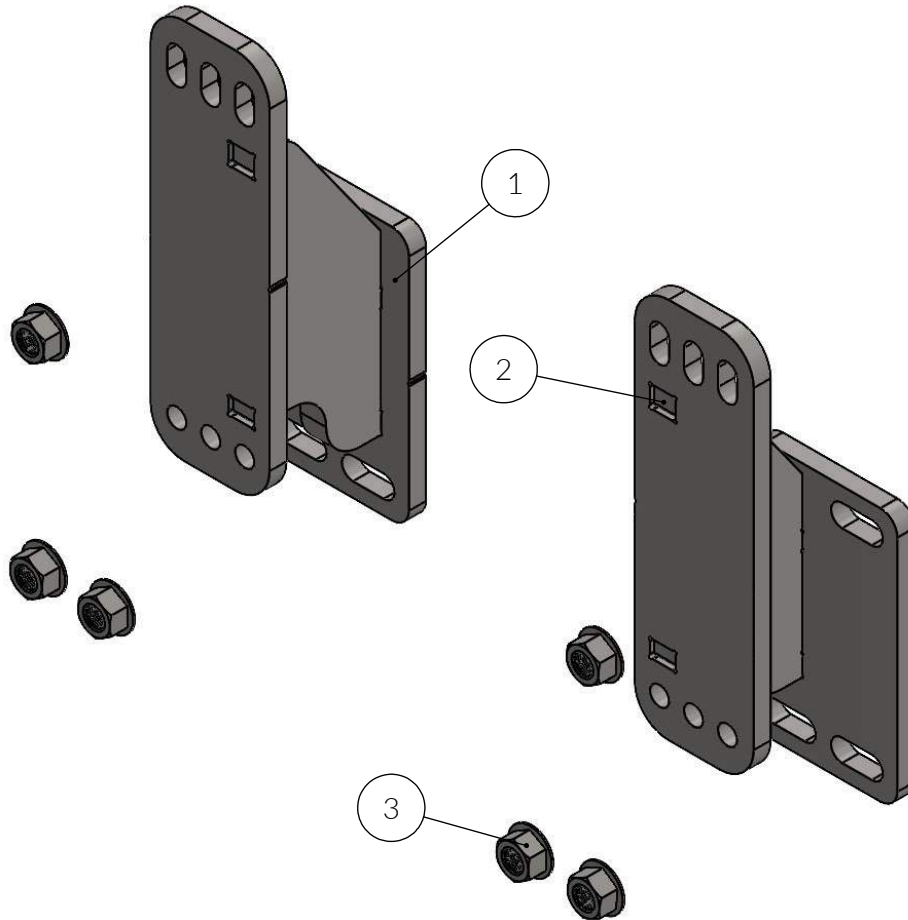
CALL: (888) 902-2777 FOR INSTALLATION QUESTIONS OR EMAIL: INFO@EX-GUARD.COM

PARTS LIST - XG-24WS49X

BOLT KIT - XG-BRK23

COMPATIBLE GUARDS

- Check <https://ex-guard.com/>



ITEM NO.	PART NUMBER	DESCRIPTION	QTY.
1	XG-24WS49X-BR01DR	MOUNTING BRACKET (DS)	1
2	XG-24WS49X-BR01PS	MOUNTING BRACKET (PS)	1
3	XG-001-62CNWF0Z_HARD	5/8-11 FLANGE AUTO LOCKNUT	6

ATTENTION!! Any Ex-Guard grille guard, bracket kit, or hardware must be used with corresponding Ex-Guard components. Use of any other product or brand with Ex-Guard products will immediately void the warranty provided by Ex-Guard Industries.

