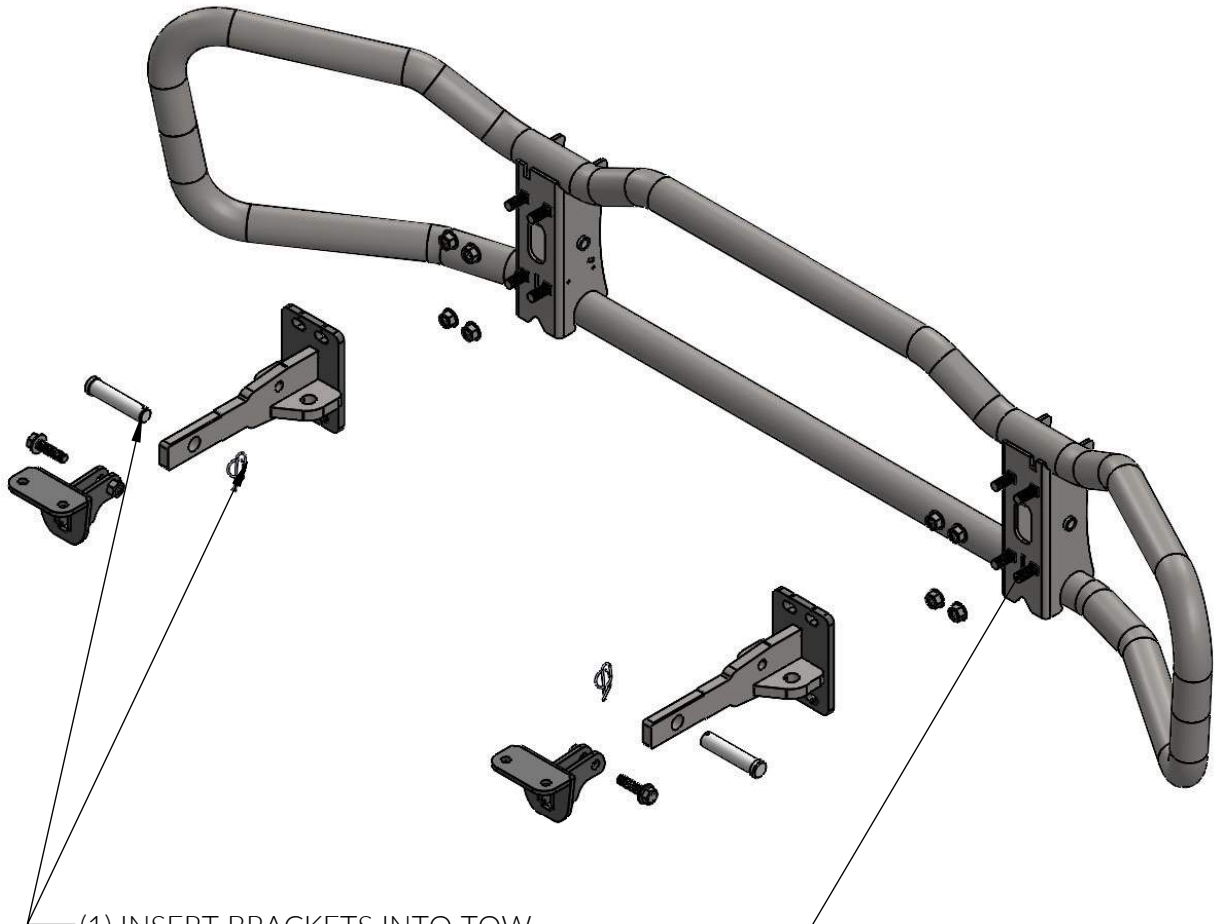




MOUNTING INSTRUCTIONS - XG-24P579 MT

CALL: (888) 902-2777 FOR INSTALLATION QUESTIONS OR EMAIL: INFO@EX-GUARD.COM



(1) INSERT BRACKETS INTO TOW HOOK RECEIVERS IN TRUCK. THEN INSERT CLEVIS PIN AND LOCKING CLIP PROVIDED TO SECURE INTO PLACE.

(2) INSERT 5/8" STUDS INTO BRACKET SLOTS. INSTALL FLANGE NUTS AND TORQUE TO 150 FT/LBS



IMPORTANT!! Any Ex-Guard grille guard, bracket kit, or hardware must be used with corresponding Ex-Guard components. Use of any other product or brand with Ex-Guard products will immediately void the warranty provided by Ex-Guard Industries.

© THIS DRAWING IS THE PROPERTY OF EX-GUARD INDUSTRIES, INC. COPYRIGHT IS RESERVED BY THEM AND THE DRAWING ISSUED ON CONDITION THAT IT MUST NOT BE USED FOR ANY OTHER PURPOSE OTHER THAN FOR WHICH IT WAS SUPPLIED AND NOT TO BE COPIED, REPRODUCED, RETAINED OR DISCLOSED TO ANY UNAUTHORIZED PERSON EITHER WHOLLY OR IN PART WITHOUT THE CONSENT IN WRITING OF EX-GUARD INDUSTRIES INC.



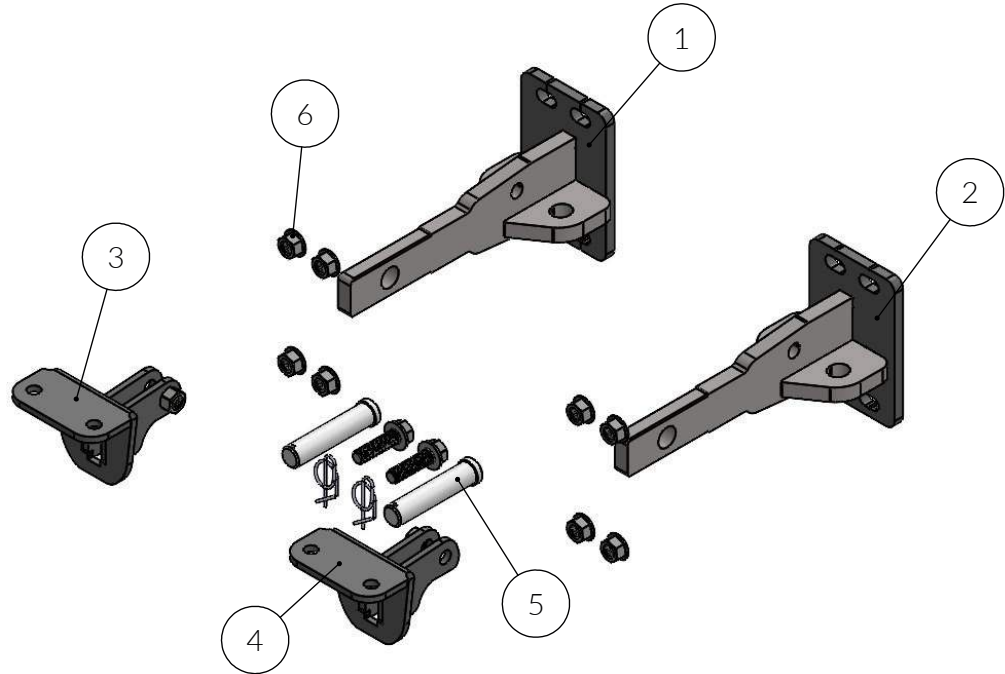
CALL: (888) 902-2777 FOR INSTALLATION QUESTIONS OR EMAIL: INFO@EX-GUARD.COM

PARTS LIST - XG-24P579

BOLT KIT - XG-23KP-BK & XG-BRK23

COMPATIBLE GUARDS

- Check <https://ex-guard.com/>



ITEM NO.	PART NUMBER	DESCRIPTION	QTY.
1	XG-24P579-BR10DS	MOUNTING BRACKET DS	1
2	XG-24P579-BR10PS	MOUNTING BRACKET PS	1
3	XG-24P579-BR07SAA	TOP SUPPORT BRACE	1
4	XG-24P579-BR07SAB	TOP SUPPORT BRACE	1
5	XG-23KP-BK	INCLUDES ALL FASTENERS FOR XG-23KP	1
6	XG-001-62-11FHHNL5Z	5/8-11 FLANGE HEX NUT	8

ATTENTION!! Any Ex-Guard grille guard, bracket kit, or hardware must be used with corresponding Ex-Guard components. Use of any other product or brand with Ex-Guard products will immediately void the warranty provided by Ex-Guard Industries.

