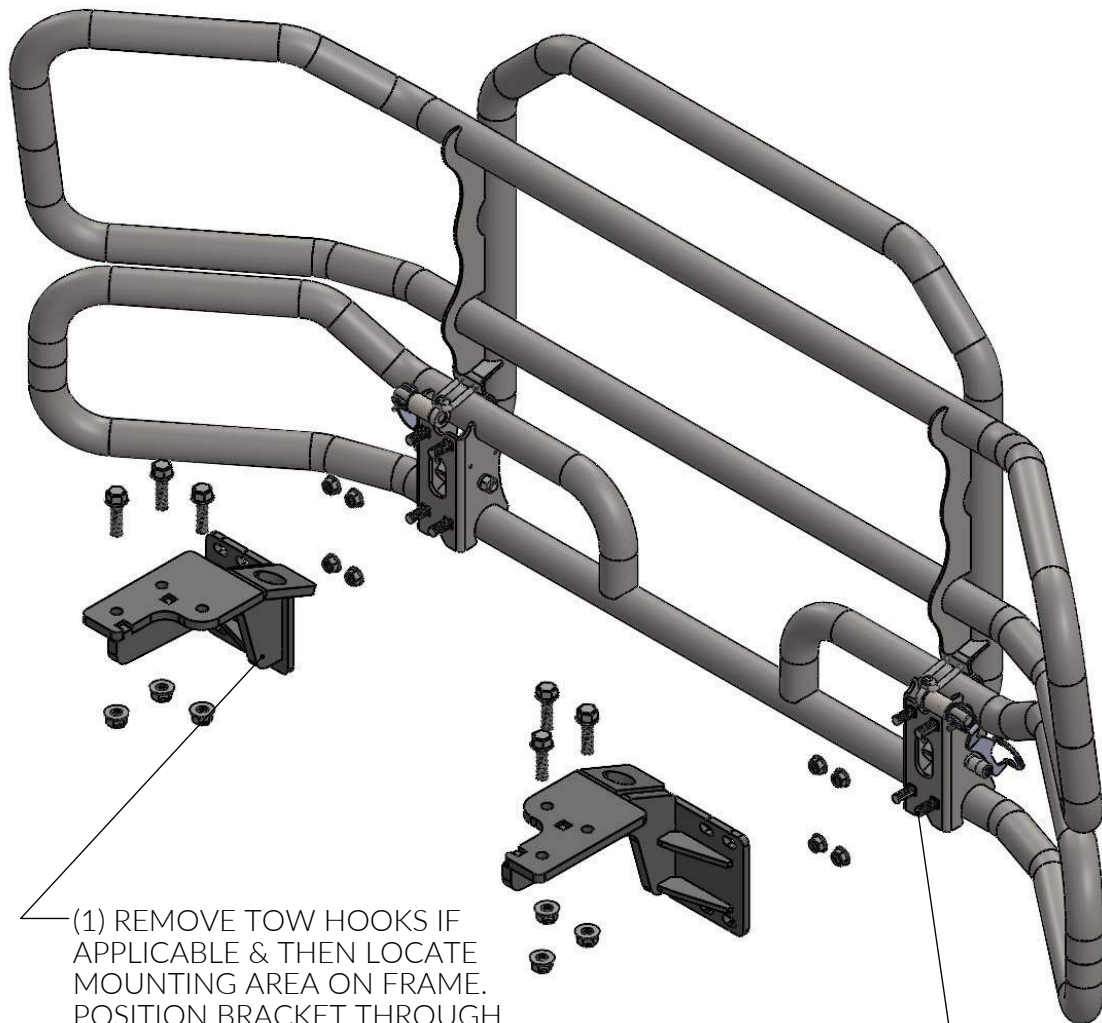




MOUNTING INSTRUCTIONS - XG-23KPM MT

CALL: (888) 902-2777 FOR INSTALLATION QUESTIONS OR EMAIL: INFO@EX-GUARD.COM



(1) REMOVE TOW HOOKS IF APPLICABLE & THEN LOCATE MOUNTING AREA ON FRAME. POSITION BRACKET THROUGH THE BUMPER OPENING SO THAT THE THREE HOLES LINE UP WITH THE THREE HOLES IN THE FRAME. INSERT SUPPLIED BOLTS & NUTS AND LOOSELY TIGHTEN, TO ALLOW THE BRACKET TO ALIGN TO THE EX-GUARD.

(2) INSERT 5/8 STUDS INTO BRACKET SLOTS. INSTALL FLANGE NUTS AND TORQUE TO 150 FT/LBS

(3) ONCE GUARD IS IN PLACE. GO BACK AND FINISH TIGHTENING THE SIX BOLTS AND NUTS THAT ATTACH THE MOUNTING BRACKETS TO THE FRAME. TORQUE TO 266 FT/LBS



IMPORTANT!! Any Ex-Guard grille guard, bracket kit, or hardware must be used with corresponding Ex-Guard components. Use of any other product or brand with Ex-Guard products will immediately void the warranty provided by Ex-Guard Industries.

© THIS DRAWING IS THE PROPERTY OF EX-GUARD INDUSTRIES, INC. COPYRIGHT IS RESERVED BY THEM AND THE DRAWING ISSUED ON CONDITION THAT IT MUST NOT BE USED FOR ANY OTHER PURPOSE OTHER THAN FOR WHICH IT WAS SUPPLIED AND NOT TO BE COPIED, REPRODUCED, RETAINED OR DISCLOSED TO ANY UNAUTHORIZED PERSON EITHER WHOLLY OR IN PART WITHOUT THE CONSENT IN WRITING OF EX-GUARD INDUSTRIES INC.



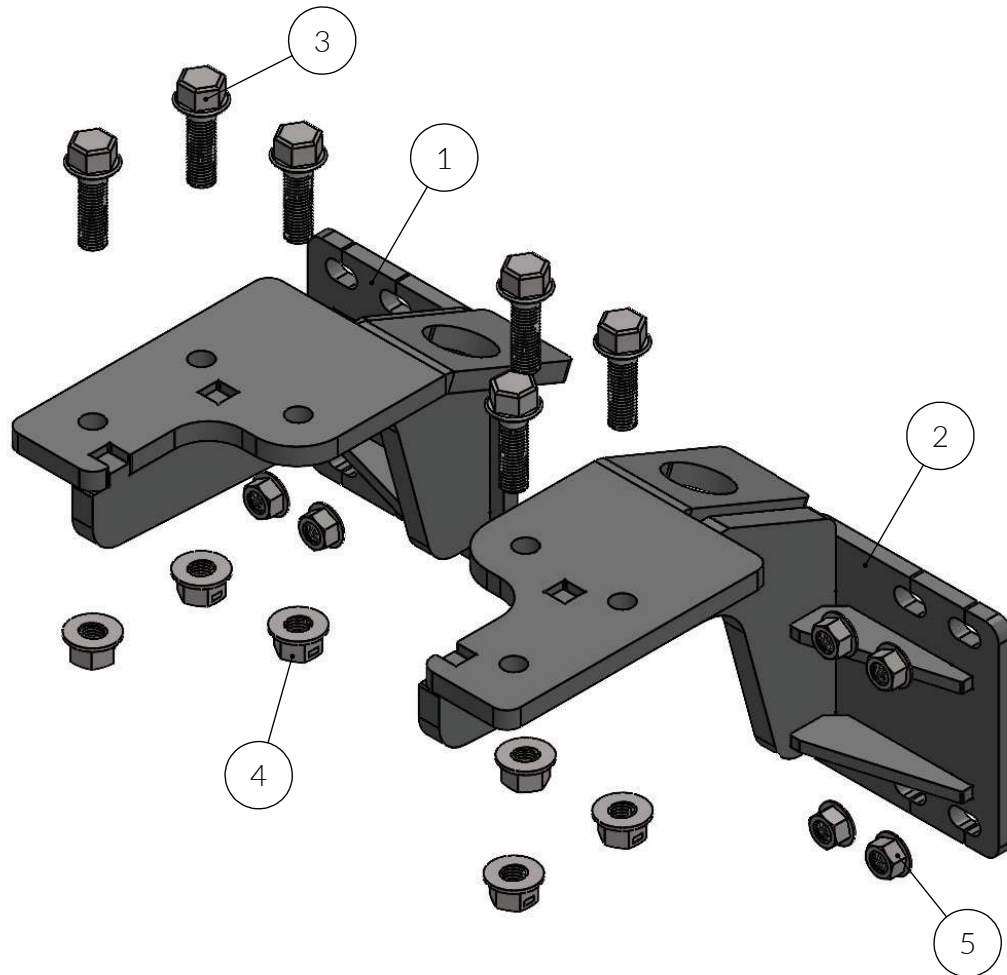
CALL: (888) 902-2777 FOR INSTALLATION QUESTIONS OR EMAIL: INFO@EX-GUARD.COM

PARTS LIST - XG-23KPM

BOLT KIT - XG-23KPM-BK & XG-BRK23

COMPATIBLE GUARDS

- Check <https://ex-guard.com/>



ITEM NO.	PART NUMBER	DESCRIPTION	QTY.
1	XG-23KPM-BR10DS	MOUNTING BRACKET (DS)	1
2	XG-23KPM-BR10PS	MOUNTING BRACKET (PS)	1
3	XG-001-75C250SHF8Y	3/4"-10 X 2-1/2" HEX HEAD BOLT	6
4	XG-001-75CNWFOY	3/4"-10 DISTORTED FLANGE HEX NUT	6
5	XG-001-62CNWFOZ_HARD	5/8-11 FLANGE AUTO LOCKNUT	8

ATTENTION!! Any Ex-Guard grille guard, bracket kit, or hardware must be used with corresponding Ex-Guard components. Use of any other product or brand with Ex-Guard products will immediately void the warranty provided by Ex-Guard Industries.



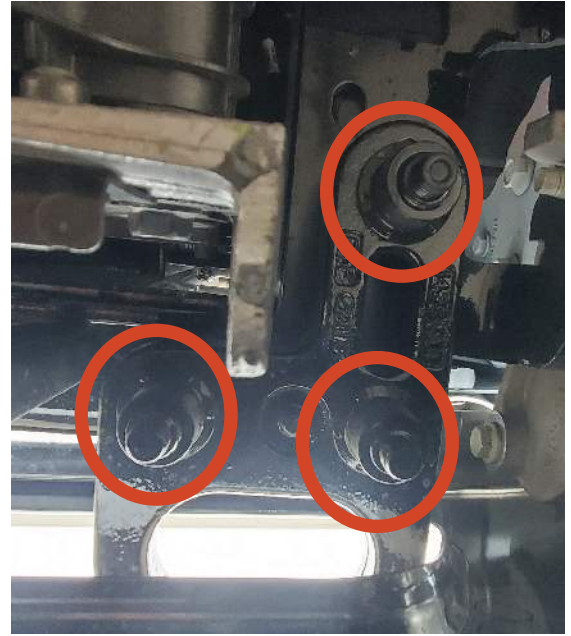
XG-23KPM MOUNTING INSTRUCTIONS



Locate tow hooks & remove from truck



To remove tow hooks: three rivets need removed
grind or cut the three rivets as shown



Visual reference of rivets: grind heads off or cut bottoms off to remove



To gain access to the inside rivet:

Remove the highlighted bolts from drivers side & passenger side so front bar can be removed

NOTE: Reinstall front bar and bolts once rivets are removed and bracket XG-23KPM is installed.