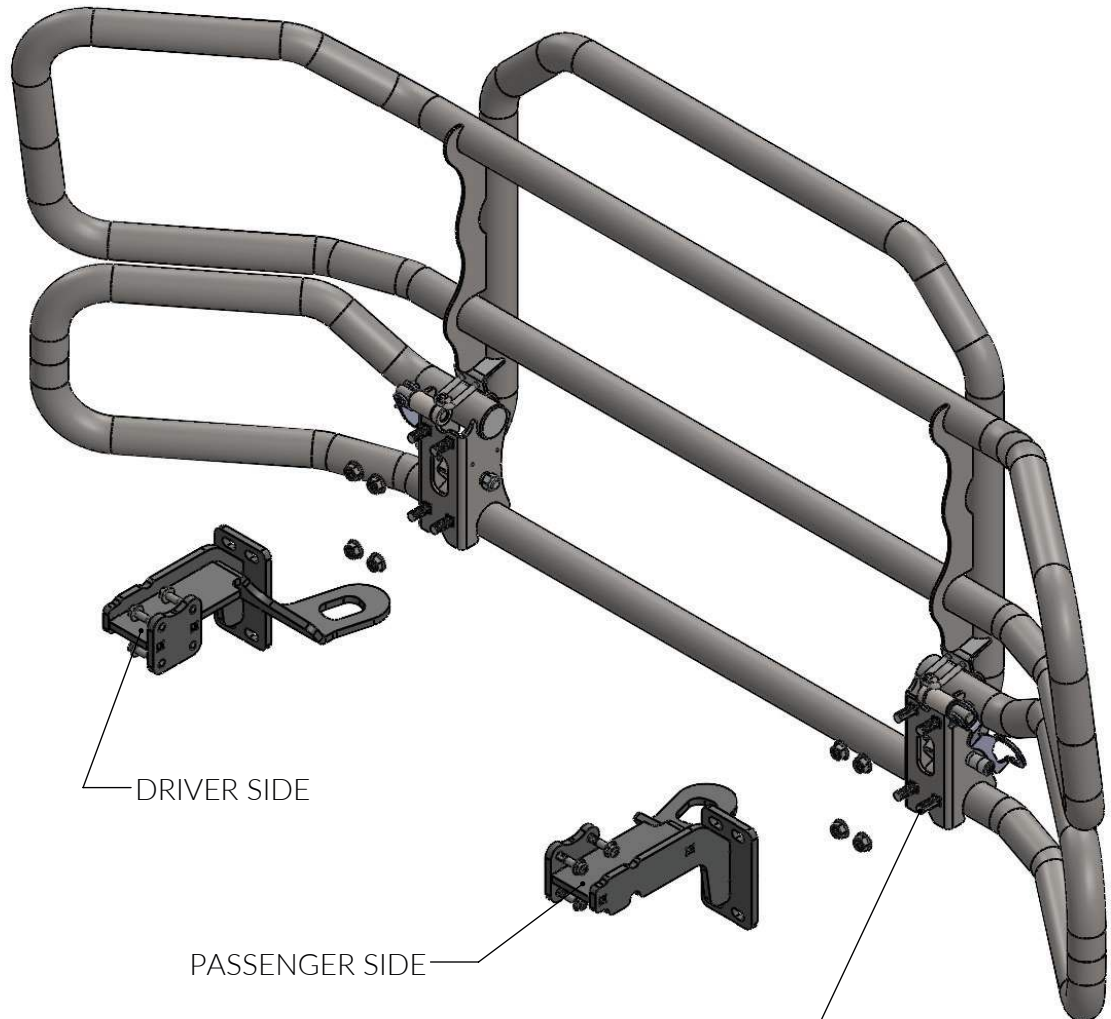




CALL: (888) 902-2777 FOR INSTALLATION QUESTIONS OR EMAIL: INFO@EX-GUARD.COM

MOUNTING INSTRUCTIONS - XG-23IMVE MT

(1) LOCATE MOUNTING AREA ON FRAME AND REMOVE TOW HOOKS IF APPLICABLE. POSITION BRACKET THROUGH THE BUMPER OPENING SO THAT THE FOUR HOLE LINE UP WITH THE FOUR HOLES IN THE FRAME. INSERT BOLTS SUPPLIED AND TORQUE TO 93 FT/LBS.



DRIVER SIDE

PASSENGER SIDE

(2) INSTALL THE EX-GUARD BY INSERTING 5/8" STUDS INTO BRACKET SLOTS AND INSTALL FLANGE NUTS. TORQUE TO 150 FT/LBS.

IMPORTANT!! Any Ex-Guard grille guard, bracket kit, or hardware must be used with corresponding Ex-Guard components. Use of any other product or brand with Ex-Guard products will immediately void the warranty provided by Ex-Guard Industries.

© THIS DRAWING IS THE PROPERTY OF EX-GUARD INDUSTRIES, INC. COPYRIGHT IS RESERVED BY THEM AND THE DRAWING ISSUED ON CONDITION THAT IT MUST NOT BE USED FOR ANY OTHER PURPOSE OTHER THAN FOR WHICH IT WAS SUPPLIED AND NOT TO BE COPIED, REPRODUCED, RETAINED OR DISCLOSED TO ANY UNAUTHORIZED PERSON EITHER WHOLLY OR IN PART WITHOUT THE CONSENT IN WRITING OF EX-GUARD INDUSTRIES INC.





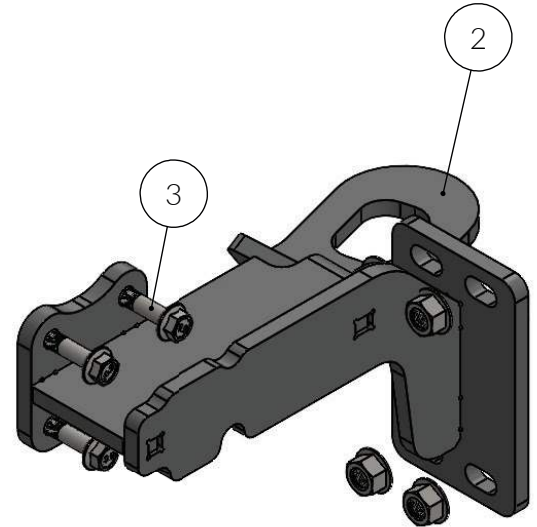
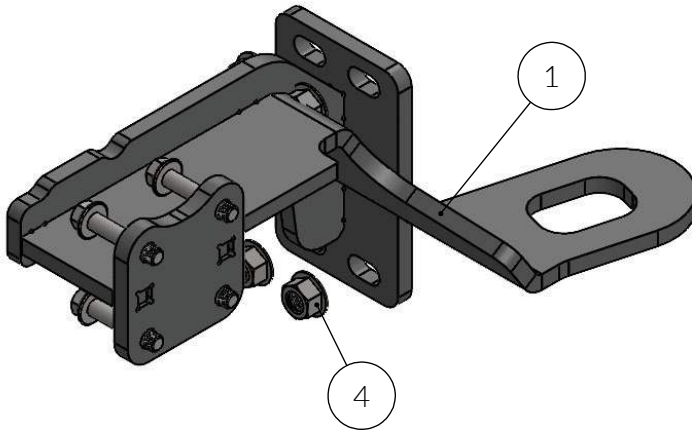
CALL: (888) 902-2777 FOR INSTALLATION QUESTIONS OR EMAIL: INFO@EX-GUARD.COM

PARTS LIST - XG-23IMVE

BOLT KIT - XG-23IMV-BK & XG-BRK23

COMPATIBLE GUARDS

- Check <https://ex-guard.com/>



ITEM NO.	PART NUMBER	DESCRIPTION	QTY.
1	XG-23IMVE-BR10DS	MOUNTING BRACKET (DS)	1
2	XG-23IMVE-BR10PS	MOUNTING BRACKET (PS)	1
3	XG-001-12C55SHFWZ	M12X1.75MMX55MM FLANGE HEX HEAD	8
4	XG-001-62CNWF0Z_HARD	5/8-11 FLANGE AUTO LOCKNUT	8

ATTENTION!! Any Ex-Guard grille guard, bracket kit, or hardware must be used with corresponding Ex-Guard components. Use of any other product or brand with Ex-Guard products will immediately void the warranty provided by Ex-Guard Industries.

