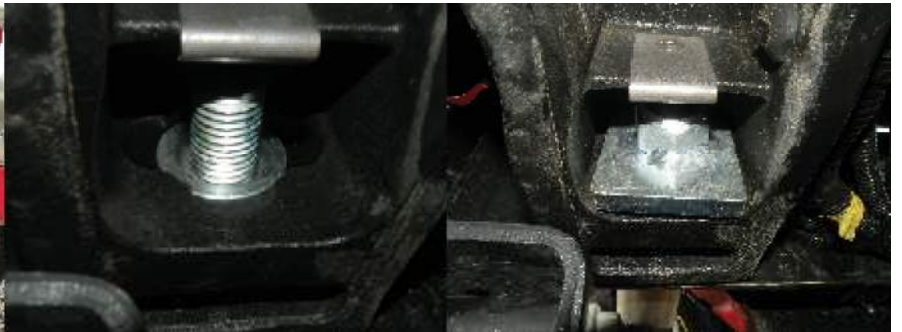
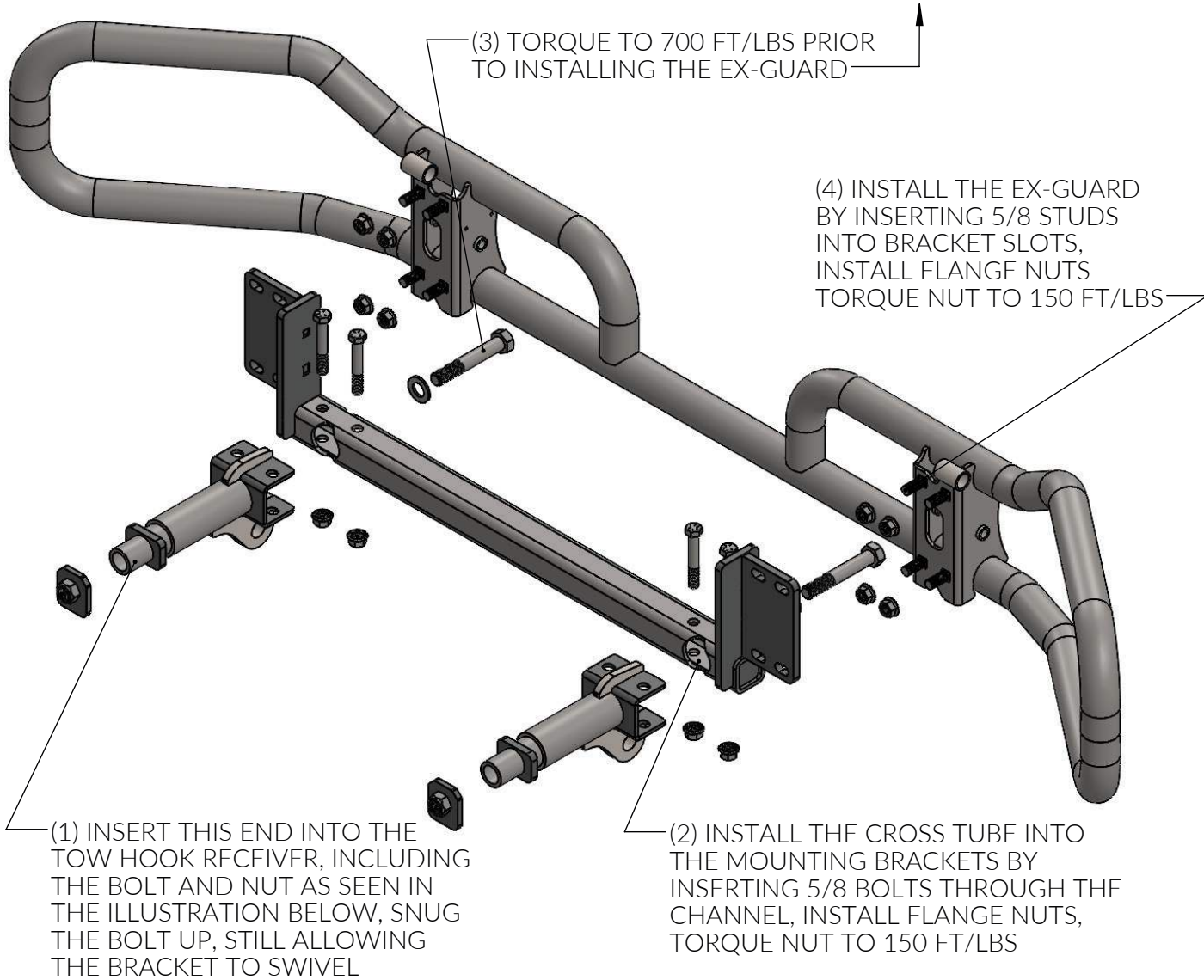




MOUNTING INSTRUCTIONS - XG-23ILTE1 MT

CALL: (888) 902-2777 FOR INSTALLATION QUESTIONS OR EMAIL: INFO@EX-GUARD.COM

TORQUE GUIDE
IF USING A 500FT/LB TORQUE WRENCH:
TIGHTEN TO 500FT/LBS THEN DO ADDITIONAL 1/2 TURN TIGHTEN
IF USING A 600 FT/LB TORQUE WRENCH:
TIGHTEN TO 600 FT/LBS THEN DO ADDITIONAL 1/4 TURN TIGHTEN



IMPORTANT!! Any Ex-Guard grille guard, bracket kit, or hardware must be used with corresponding Ex-Guard components. Use of any other product or brand with Ex-Guard products will immediately void the warranty provided by Ex-Guard Industries.

© THIS DRAWING IS THE PROPERTY OF EX-GUARD INDUSTRIES, INC. COPYRIGHT IS RESERVED BY THEM AND THE DRAWING ISSUED ON CONDITION THAT IT MUST NOT BE USED FOR ANY OTHER PURPOSE OTHER THAN FOR WHICH IT WAS SUPPLIED AND NOT TO BE COPIED, REPRODUCED, RETAINED OR DISCLOSED TO ANY UNAUTHORIZED PERSON EITHER WHOLLY OR IN PART WITHOUT THE CONSENT IN WRITING OF EX-GUARD INDUSTRIES INC.



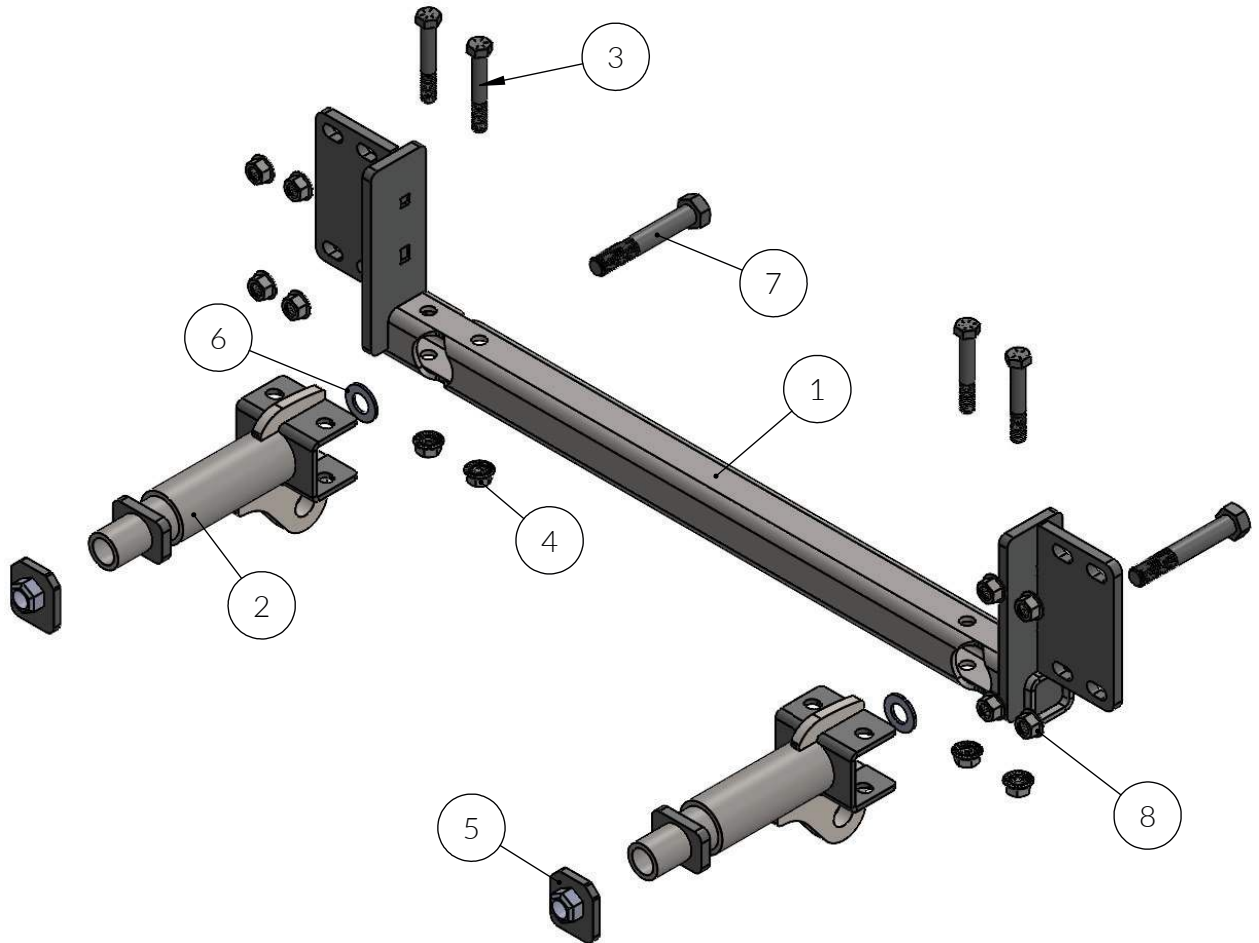
CALL: (888) 902-2777 FOR INSTALLATION QUESTIONS OR EMAIL: INFO@EX-GUARD.COM

PARTS LIST - XG-23ILTE1

BOLT KIT - XG-23ILT-BK & XG-BRK23

COMPATIBLE GUARDS

- Check <https://ex-guard.com/>



ITEM NO.	PART NUMBER	DESCRIPTION	QTY.
1	XG-23ILTE-BR05SA	MOUNTING BRACKET CROSSBAR	1
2	XG-23ILTE1-BR10	MOUNTING BRACKET	2
3	XG-001-62C400HCS8Y	5/8-11 X 4 HEX HEAD BOLT	4
4	XG-001-62CNWFOY-HARD	5/8"-11 SERRATED FLANGE GRADE 8 LOCKNUT	4
5	XG-17ILTE-BR08	BACKUP WASHER W/ NUT	2
6	XG-001-87NWMD0Y	7/8" GRADE 8 FLAT WASHER	2
7	XG-001-87C550HCS8Y	7/8-9 X 5.5 HEX HEAD BOLT	2
8	XG-001-62CNWFOZ_HARD	5/8-11 FLANGE AUTO LOCKNUT	8

ATTENTION!! Any Ex-Guard grille guard, bracket kit, or hardware must be used with corresponding Ex-Guard components. Use of any other product or brand with Ex-Guard products will immediately void the warranty provided by Ex-Guard Industries.

