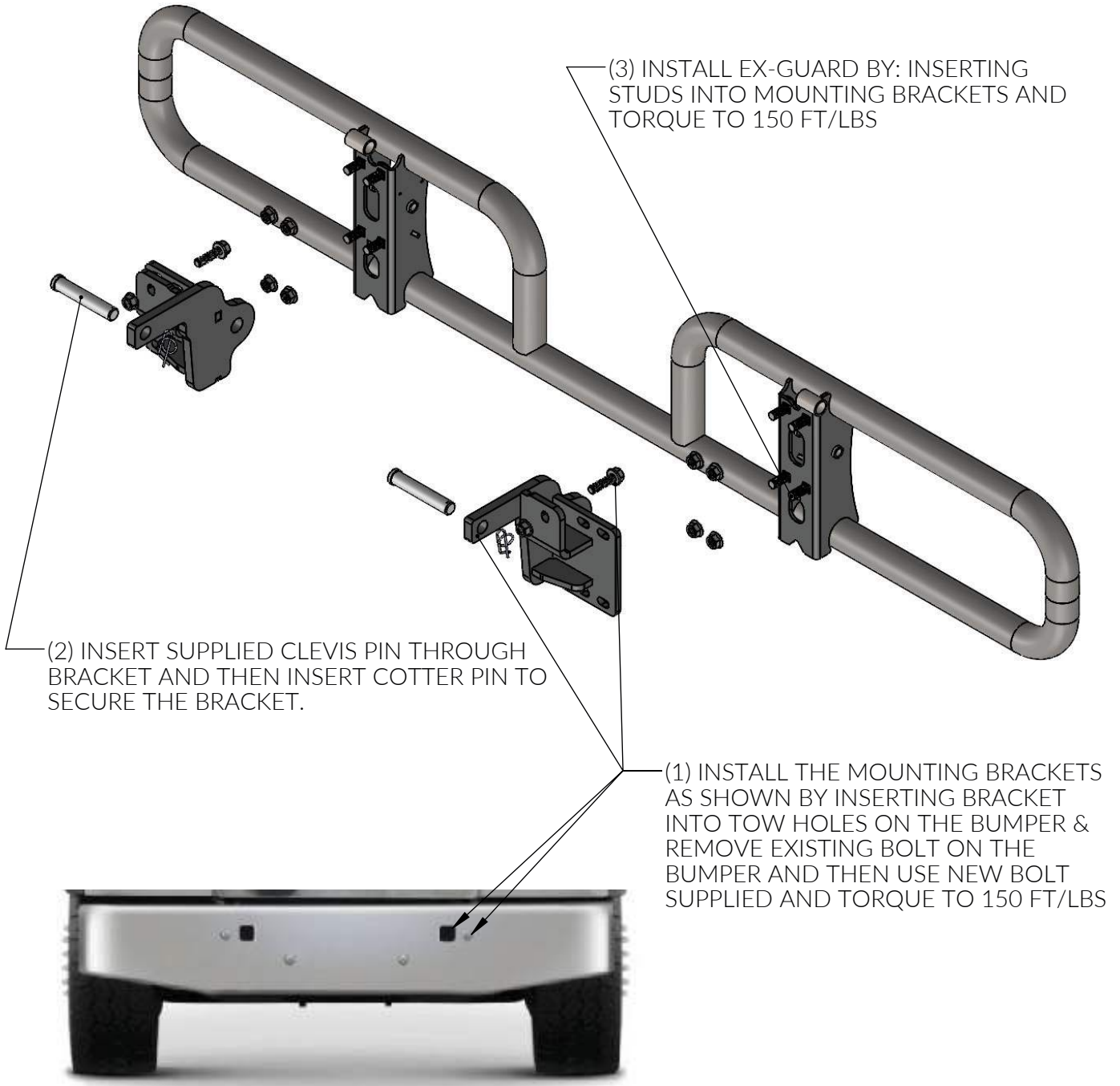




MOUNTING INSTRUCTIONS - XG-21KW990 MT INS

CALL: (888) 902-2777 FOR INSTALLATION QUESTIONS OR EMAIL: INFO@EX-GUARD.COM



IMPORTANT!! Any Ex-Guard grille guard, bracket kit, or hardware must be used with corresponding Ex-Guard components. Use of any other product or brand with Ex-Guard products will immediately void the warranty provided by Ex-Guard Industries.

© THIS DRAWING IS THE PROPERTY OF EX-GUARD INDUSTRIES, INC. COPYRIGHT IS RESERVED BY THEM AND THE DRAWING ISSUED ON CONDITION THAT IT MUST NOT BE USED FOR ANY OTHER PURPOSE OTHER THAN FOR WHICH IT WAS SUPPLIED AND NOT TO BE COPIED, REPRODUCED, RETAINED OR DISCLOSED TO ANY UNAUTHORIZED PERSON EITHER WHOLLY OR IN PART WITHOUT THE CONSENT IN WRITING OF EX-GUARD INDUSTRIES INC.



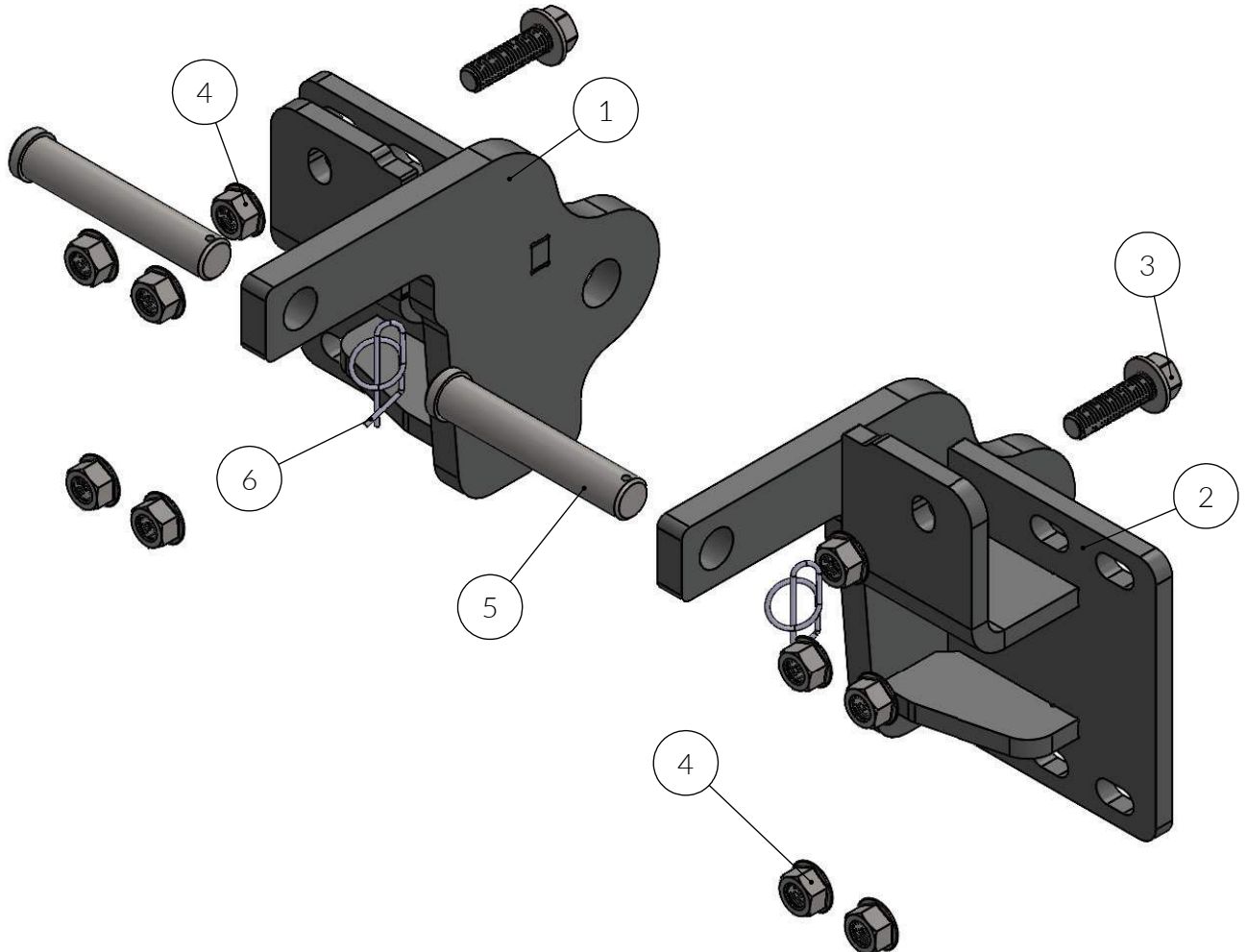
CALL: (888) 902-2777 FOR INSTALLATION QUESTIONS OR EMAIL: INFO@EX-GUARD.COM

PARTS LIST - XG-21KW990

BOLT KIT - XG-BRK20-1 & XG-BRK23

COMPATIBLE GUARDS

- Check <https://ex-guard.com/>



ITEM NO.	PART NUMBER	DESCRIPTION	QTY.
1	XG-21KW990-BR10DS	MOUNTING BRACKET (DS)	1
2	XG-21KW990-BR10PS	MOUNTING BRACKET (PS)	1
3	XG-001-62-11FHHHC2258ZY	5/8"-11 X 2 1/4" FLANGE HEX HEAD CAPSCREW	2
4	XG-001-62-11FHHNL5Z	5/8-11 FLANGE HEX NUT	10
5	XG-001-100-CP5505Z	1" X 5 1/2" CLEVIS PIN	2
6	XG-001-100-LCPSP	1" LOCKING COTTER PIN	2

ATTENTION!! Any Ex-Guard grille guard, bracket kit, or hardware must be used with corresponding Ex-Guard components. Use of any other product or brand with Ex-Guard products will immediately void the warranty provided by Ex-Guard Industries.