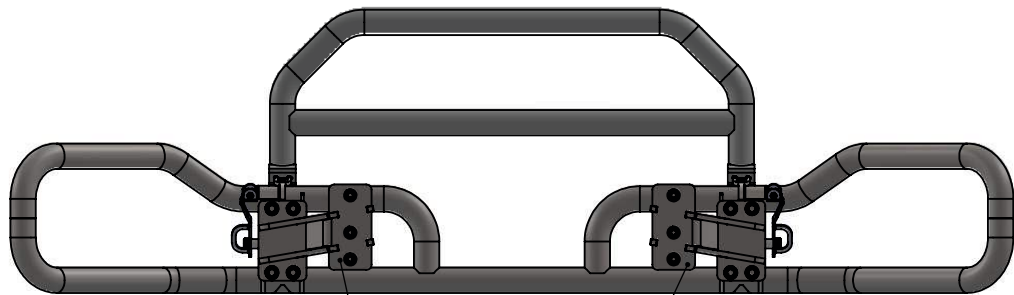
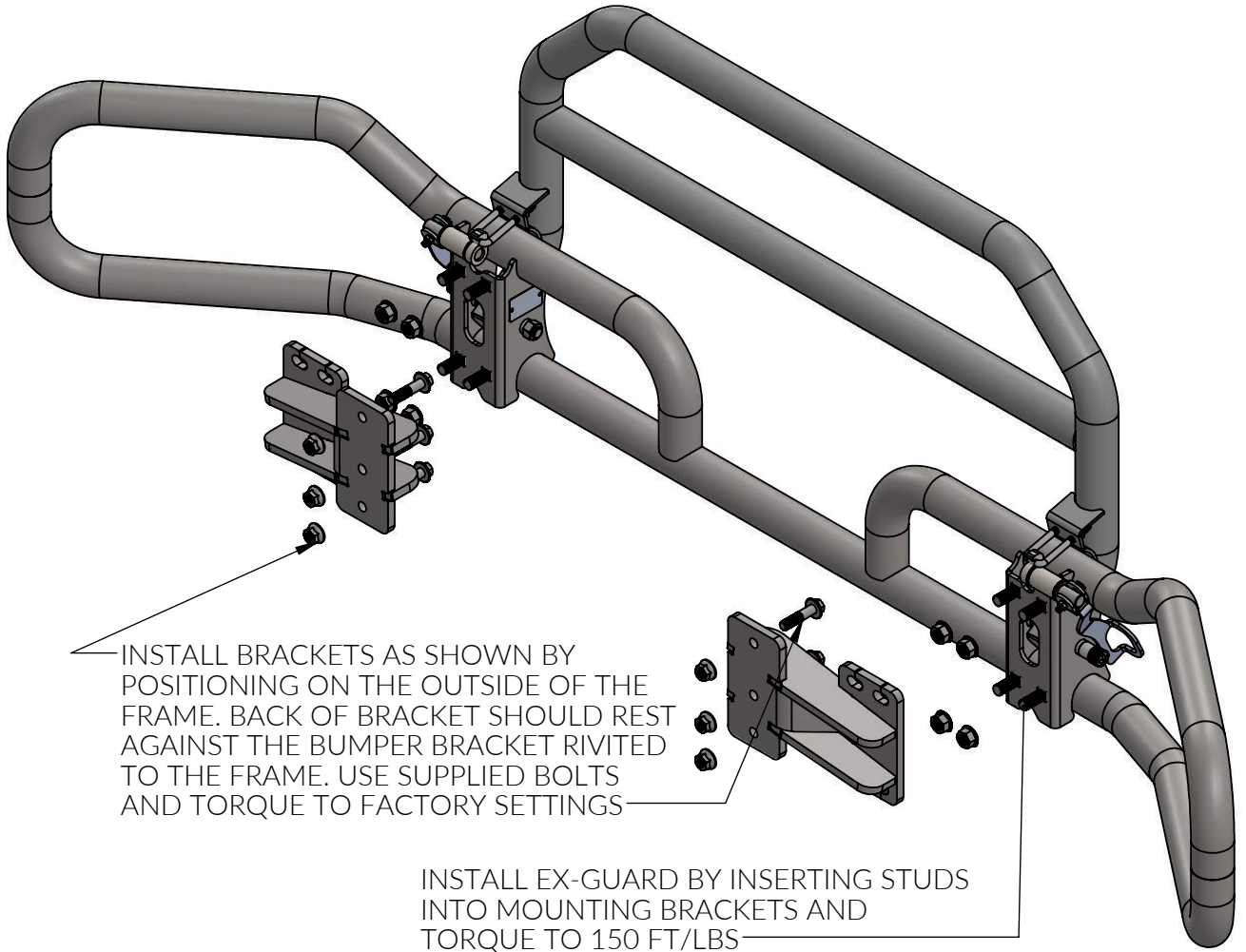




# MOUNTING INSTRUCTIONS - XG-20MD MT

CALL: (888) 902-2777 FOR INSTALLATION QUESTIONS OR EMAIL: [INFO@EX-GUARD.COM](mailto:INFO@EX-GUARD.COM)



DRIVERS SIDE BRACKET

PASSENGER SIDE BRACKET

**IMPORTANT!!** Any Ex-Guard grille guard, bracket kit, or hardware must be used with corresponding Ex-Guard components. Use of any other product or brand with Ex-Guard products will immediately void the warranty provided by Ex-Guard Industries.

© THIS DRAWING IS THE PROPERTY OF EX-GUARD INDUSTRIES, INC. COPYRIGHT IS RESERVED BY THEM AND THE DRAWING ISSUED ON CONDITION THAT IT MUST NOT BE USED FOR ANY OTHER PURPOSE OTHER THAN FOR WHICH IT WAS SUPPLIED AND NOT TO BE COPIED, REPRODUCED, RETAINED OR DISCLOSED TO ANY UNAUTHORIZED PERSON EITHER WHOLLY OR IN PART WITHOUT THE CONSENT IN WRITING OF EX-GUARD INDUSTRIES INC.





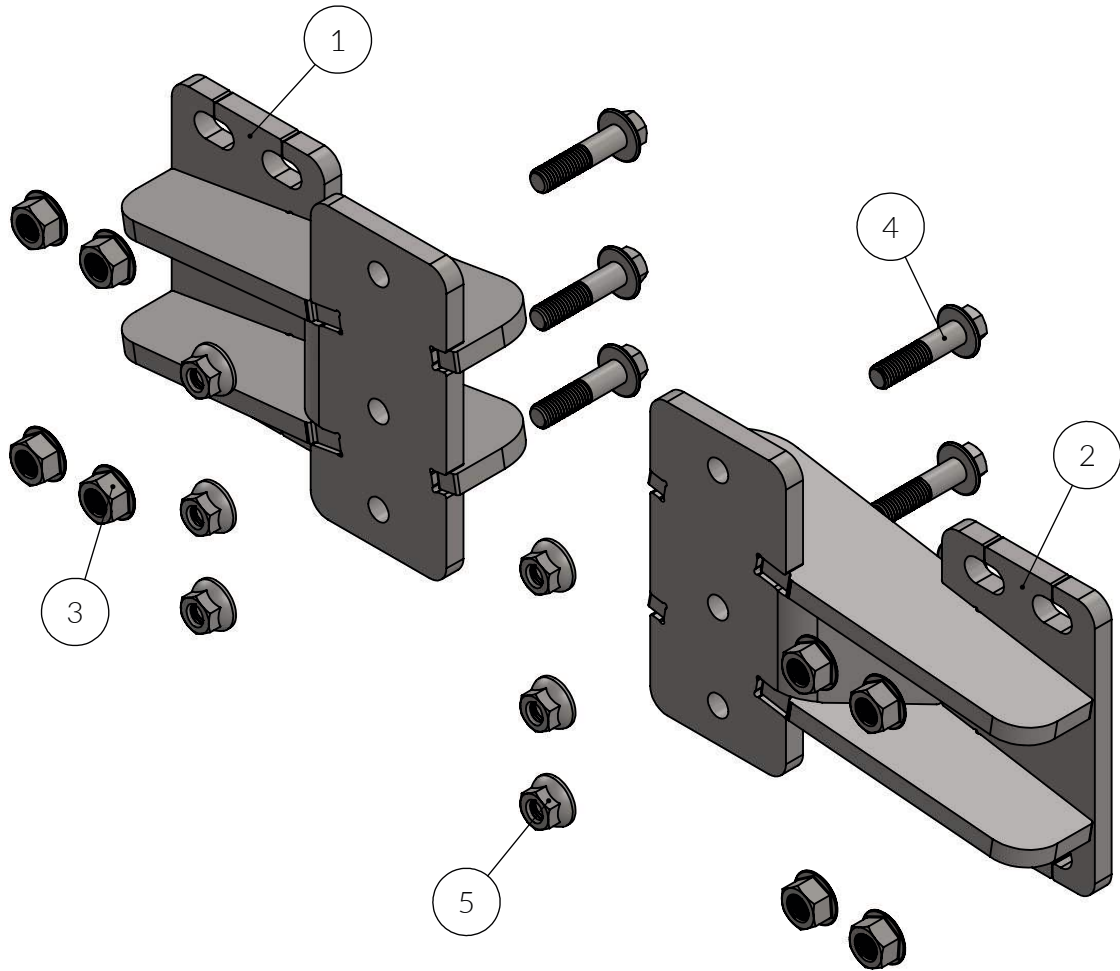
CALL: (888) 902-2777 FOR INSTALLATION QUESTIONS OR EMAIL: INFO@EX-GUARD.COM

## PARTS LIST - XG-20MDv2

BOLT KIT - XG-20MD-BK & XG-BRK23

### COMPATIBLE GUARDS

- Check <https://ex-guard.com/>



ITEM NO.	PART NUMBER	DESCRIPTION	QTY.
1	XG-20MD-BR10Lv2	MOUNTING BRACKET (DS)	1
2	XG-20MD-BR10Rv2	MOUNTING BRACKET (PS)	1
3	XG-001-62-11FHHNL5Z	5/8-11 FLANGE HEX NUT	8
4	XG-001-M14-2.00FHHC608.8Z	M14X60MM FLANGE HEX HEAD CAPSCREW	6
5	XG-001-M14-2.00FHHNTL8.8Z	M14 FLANGE TOP LOCK HEX NUT	6

ATTENTION!! Any Ex-Guard grille guard, bracket kit, or hardware must be used with corresponding Ex-Guard components. Use of any other product or brand with Ex-Guard products will immediately void the warranty provided by Ex-Guard Industries.