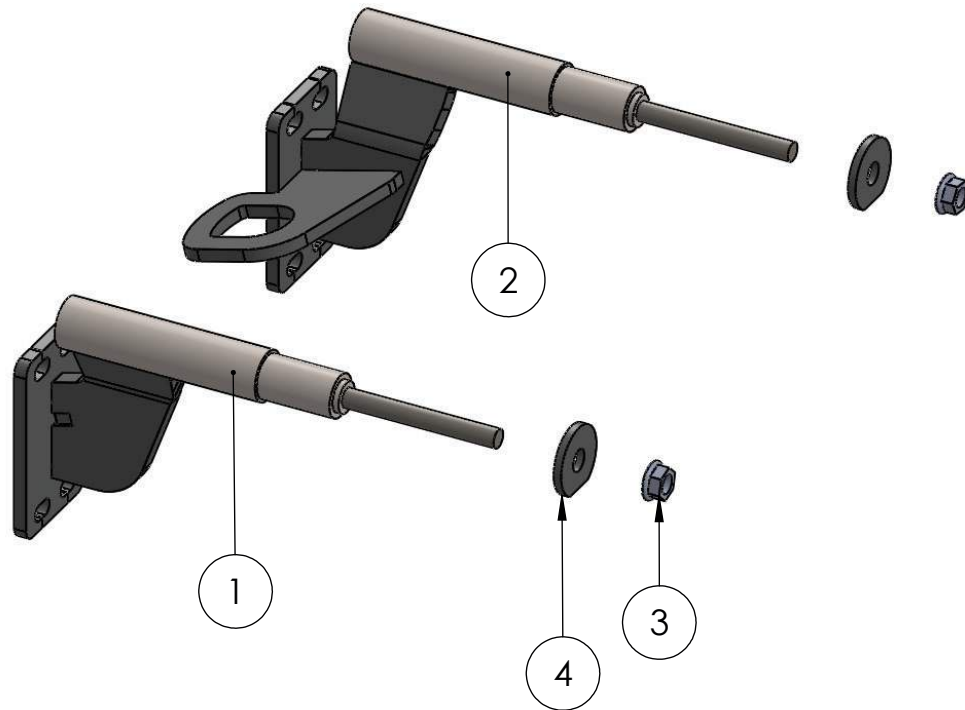




CALL: (888) 902-2777 FOR INSTALLATION QUESTIONS OR EMAIL: INFO@EX-GUARD.COM

PARTS LIST - XG-20FNCAE

BOLT KIT - XG-BRK6



ITEM NO.	PART NUMBER	DESCRIPTION	QTY.
1	XG-20FNCAE-BR10L	MOUNTING BRACKET LH	1
2	XG-20FNCAE-BR10R	MOUNTING BRACKET RH	1
3	XG-001-75CNUF0Z	3/4-10 AUTOMATION FLG LN GR8 ZINC WITH TOP COAT	2
4	XG-001-75W	BACK UP WASHER	2

ATTENTION!! Any Ex-Guard grille guard, bracket kit, or hardware must be used with corresponding Ex-Guard components. Use of any other product or brand with Ex-Guard products will immediately void the warranty provided by Ex-Guard Industries.

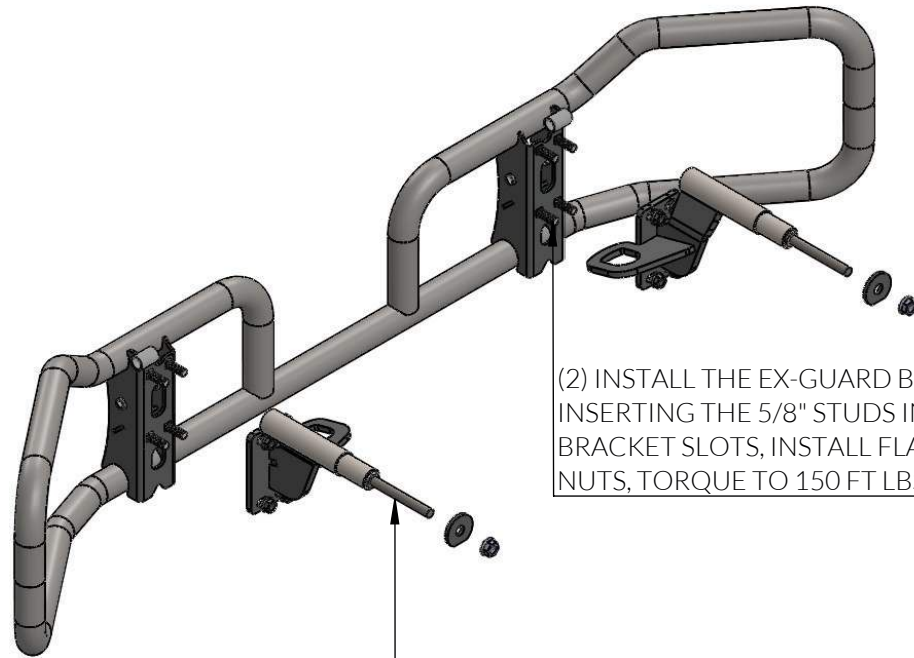




MOUNTING INSTRUCTIONS - XG-20FNCAE MT INS

FREIGHTLINER P4 CASCADIA CHROME CLAD BUMPER

CALL: (888) 902-2777 FOR INSTALLATION QUESTIONS OR EMAIL: INFO@EX-GUARD.COM



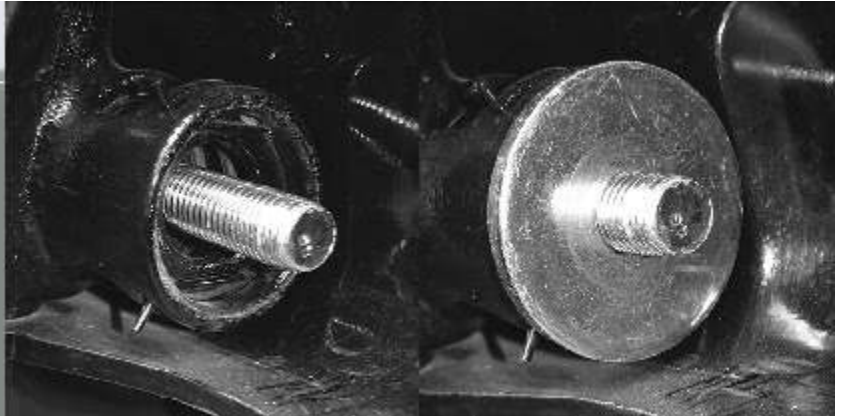
(1) INSERT THIS END INTO THE TOWHOOK RECEIVER, AS SEEN BELOW. PUT WASHER OVER BOLT, INSTALL NUT TORQUE TO 230 FT LBS.

(2) INSTALL THE EX-GUARD BY INSERTING THE 5/8" STUDS INTO THE BRACKET SLOTS, INSTALL FLANGE NUTS, TORQUE TO 150 FT LBS.

FRONT LOCATION



BACK SIDE OF RECEIVER



IMPORTANT!! Any Ex-Guard grille guard, bracket kit, or hardware must be used with corresponding Ex-Guard components. Use of any other product or brand with Ex-Guard products will immediately void the warranty provided by Ex-Guard Industries.

