

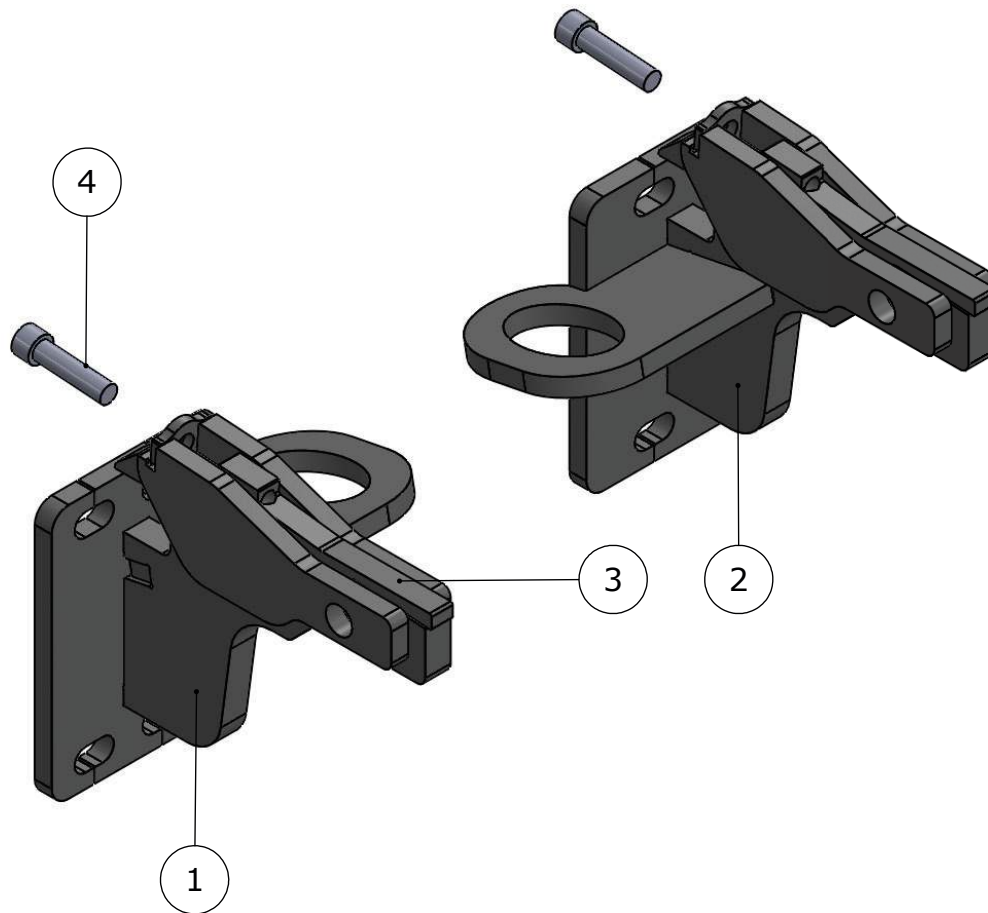


CALL: (888) 902-2777 FOR INSTALLATION QUESTIONS OR EMAIL: [INFO@EX-GUARD.COM](mailto:INFO@EX-GUARD.COM)

# PARTS LIST - XG-18VN

## COMPATIBLE GUARDS

- XG-B100, XG-125, XG-150, XG-195
- LT-325, LT-350
- HD-400, HD-425, HD-450, HD-495



ITEM NO.	PART NUMBER	DESCRIPTION	QTY.
1	XG-18VN-BR10DR	MOUNTING BRACKET DRIVERS SIDE	1
2	XG-18VN-BR10PS	MOUNTING BRACKET PASSENGER SIDE	1
3	XG-17VN-BR05	WEDGE SLIDER	2
4	XG-001-50C200KCS0Z	1/2-13 X 2.00 SOC CAP SCREW	2

**ATTENTION!! Any Ex-Guard grille guard, bracket kit, or hardware must be used with corresponding Ex-Guard components. Use of any other product or brand with Ex-Guard products will immediately void the warranty provided by Ex-Guard Industries.**

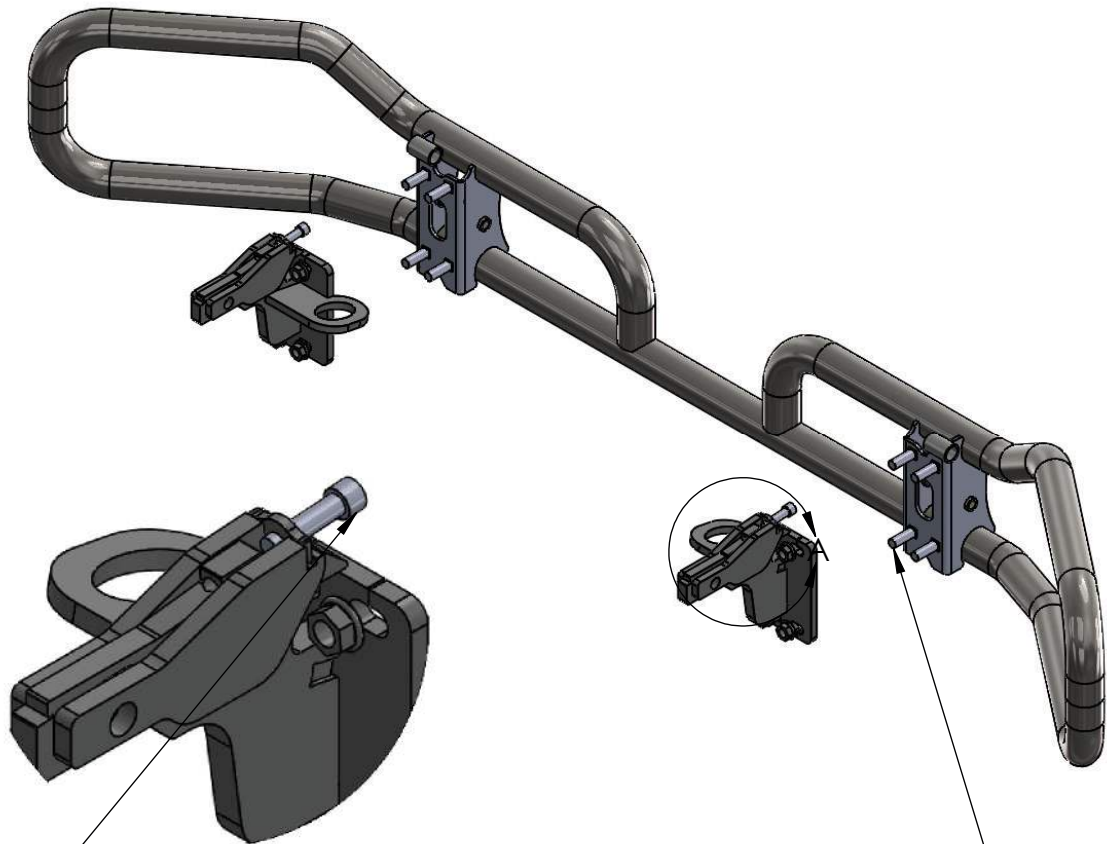
© THIS DRAWING IS THE PROPERTY OF EX-GUARD INDUSTRIES, INC. COPYRIGHT IS RESERVED BY THEM AND THE DRAWING ISSUED ON CONDITION THAT IT MUST NOT BE USED FOR ANY OTHER PURPOSE OTHER THAN FOR WHICH IT WAS SUPPLIED AND NOT TO BE COPIED, REPRODUCED, RETAINED OR DISCLOSED TO ANY UNAUTHORIZED PERSON EITHER WHOLLY OR IN PART WITHOUT THE CONSENT IN WRITING OF EX-GUARD INDUSTRIES INC.



# MOUNTING INSTRUCTIONS - XG-18VN MT

VOLVO VNR SERIES

CALL: (888) 902-2777 FOR INSTALLATION QUESTIONS OR EMAIL: [INFO@EX-GUARD.COM](mailto:INFO@EX-GUARD.COM)



DETAIL A  
SCALE 1 : 4

- 1) INSERT BOLT THROUGH HOLE AND A COUPLE TURNS INTO THE WEDGE SLIDER AS SEEN HERE. SLIDE THE WEDGE BACK AS FAR FROM THE FRONT OF THE BRACKET AS IT CAN GO. THEN INSERT THE BRACKET INTO THE RECEIVER. INSERT THE FACTORY PIN THROUGH THE RECEIVER TO RETAIN THE MOUNTING BRACKET.
- 2) PULL FORWARD ON THE BRACKET AND TIGHTEN THE ALAN HEAD BOLT TORQUE TO 75FT/LBS (THIS LOCKS THE BRACKET INTO THE RECIVER).
- (3) INSTALL THE EX-GUARD BY INSERTING THE STUDS INTO THE BRACKET SLOTS, INSTALL THE FLANGE NUTS, TORQUE TO 150 FT LBS.

IMPORTANT!! Any Ex-Guard grille guard, bracket kit, or hardware must be used with corresponding Ex-Guard components. Use of any other product or brand with Ex-Guard products will immediately void the warranty provided by Ex-Guard Industries.

