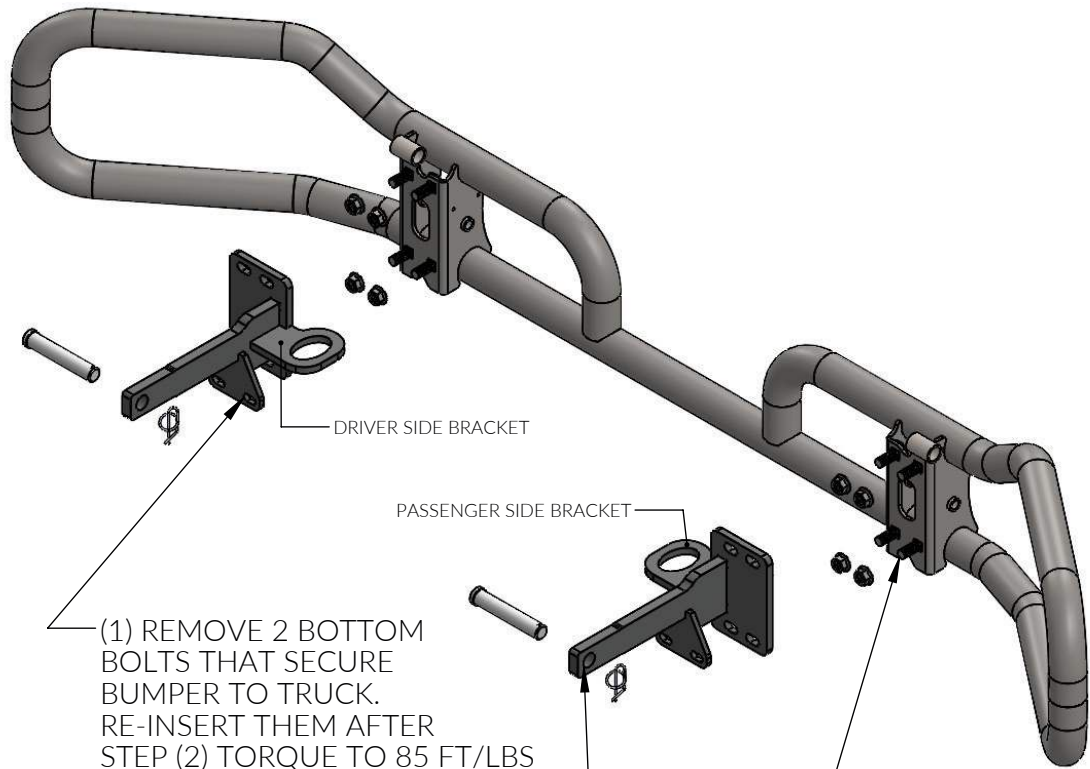




## MOUNTING INSTRUCTIONS - XG-17KT8E MT

CALL: (888) 902-2777 FOR INSTALLATION QUESTIONS OR EMAIL: [INFO@EX-GUARD.COM](mailto:INFO@EX-GUARD.COM)



(1) REMOVE 2 BOTTOM BOLTS THAT SECURE BUMPER TO TRUCK. RE-INSERT THEM AFTER STEP (2) TORQUE TO 85 FT/LBS

(2) INSERT BRACKETS INTO TOW HOOK RECEIVERS IN TRUCK. THEN INSERT CLEVIS PIN AND COTTER PIN TO SECURE BRACKET.

(3) INSERT 5/8 STUDS INTO BRACKET SLOTS, INSTALL FLANGE NUTS TORQUE TO 150 FT/LBS



**IMPORTANT!!** Any Ex-Guard grille guard, bracket kit, or hardware must be used with corresponding Ex-Guard components. Use of any other product or brand with Ex-Guard products will immediately void the warranty provided by Ex-Guard Industries.

© THIS DRAWING IS THE PROPERTY OF EX-GUARD INDUSTRIES, INC. COPYRIGHT IS RESERVED BY THEM AND THE DRAWING ISSUED ON CONDITION THAT IT MUST NOT BE USED FOR ANY OTHER PURPOSE OTHER THAN FOR WHICH IT WAS SUPPLIED AND NOT TO BE COPIED, REPRODUCED, RETAINED OR DISCLOSED TO ANY UNAUTHORIZED PERSON EITHER WHOLLY OR IN PART WITHOUT THE CONSENT IN WRITING OF EX-GUARD INDUSTRIES INC.



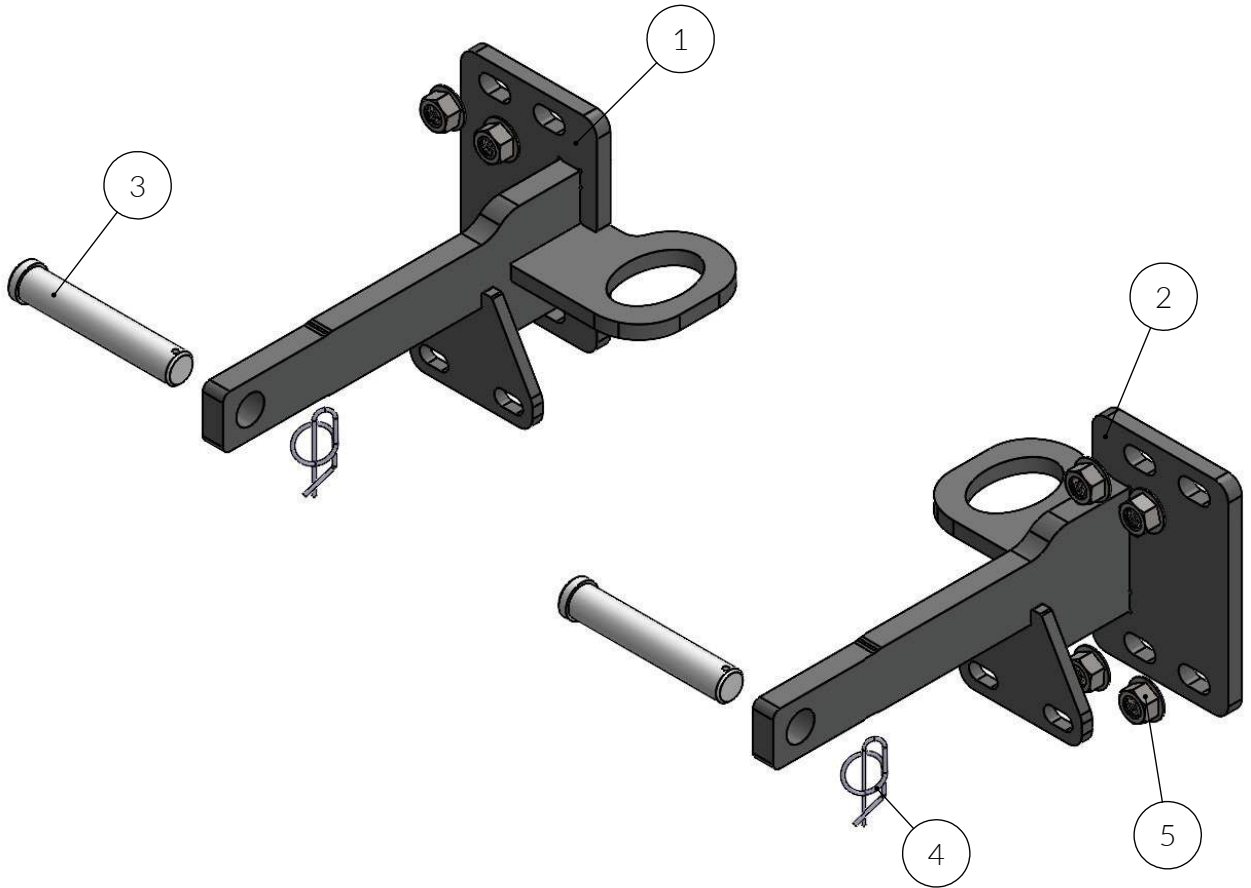
CALL: (888) 902-2777 FOR INSTALLATION QUESTIONS OR EMAIL: INFO@EX-GUARD.COM

# PARTS LIST - XG-17KT8E

BOLT KIT - XG-BRK1 & XG-BRK23

## COMPATIBLE GUARDS

- Check <https://ex-guard.com/>



ITEM NO.	PART NUMBER	DESCRIPTION	QTY.
1	XG-17KT8E-BR10DR	MOUNTING BRACKET (DS)	1
2	XG-17KT8E-BR10PS	MOUNTING BRACKET (PS)	1
3	XG-001-1X550ZYCP	CLEVIS PIN	2
4	XG-001-01X1RCP	LOCKING 1" RING COTTER PIN	2
5	XG-001-62CNWF0Z_HARD	5/8-11 FLANGE AUTO LOCKNUT	8

ATTENTION!! Any Ex-Guard grille guard, bracket kit, or hardware must be used with corresponding Ex-Guard components. Use of any other product or brand with Ex-Guard products will immediately void the warranty provided by Ex-Guard Industries.

