



CALL: (888) 902-2777 FOR INSTALLATION QUESTIONS OR EMAIL: INFO@EX-GUARD.COM

PARTS LIST - XG-17IHX

BOLT KIT - XG-BRK4 (2 sets)

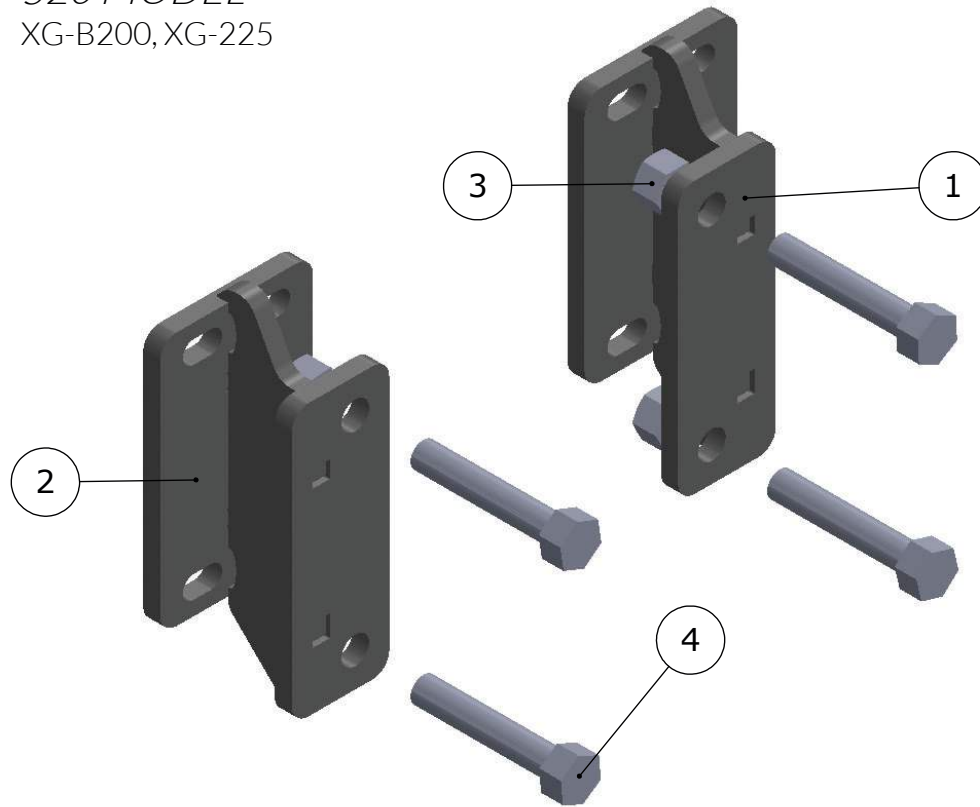
COMPATIBLE GUARDS

615, 620 MODEL

- XG-B100, XG-125, XG-175
- LT-325
- HD-400, HD-425

520 MODEL

- XG-B200, XG-225



ITEM NO.	PART NUMBER	DESCRIPTION	QTY.
1	XG-17IHX-BR10DR	MOUNTING BRACKET (RHS)	1
2	XG-17IHX-BR10PS	MOUNTING BRACKET (LHS)	1
3	XG-001-75CNUC0Z	3/4-10 AUTOMATION L/N GR.C ZINC	4
4	XG-001-75C400HCS8Y	3/4-10X4" Hex Cap GR8 YELLOW	4

ATTENTION!! Any Ex-Guard grille guard, bracket kit, or hardware must be used with corresponding Ex-Guard components. Use of any other product or brand with Ex-Guard products will immediately void the warranty provided by Ex-Guard Industries.

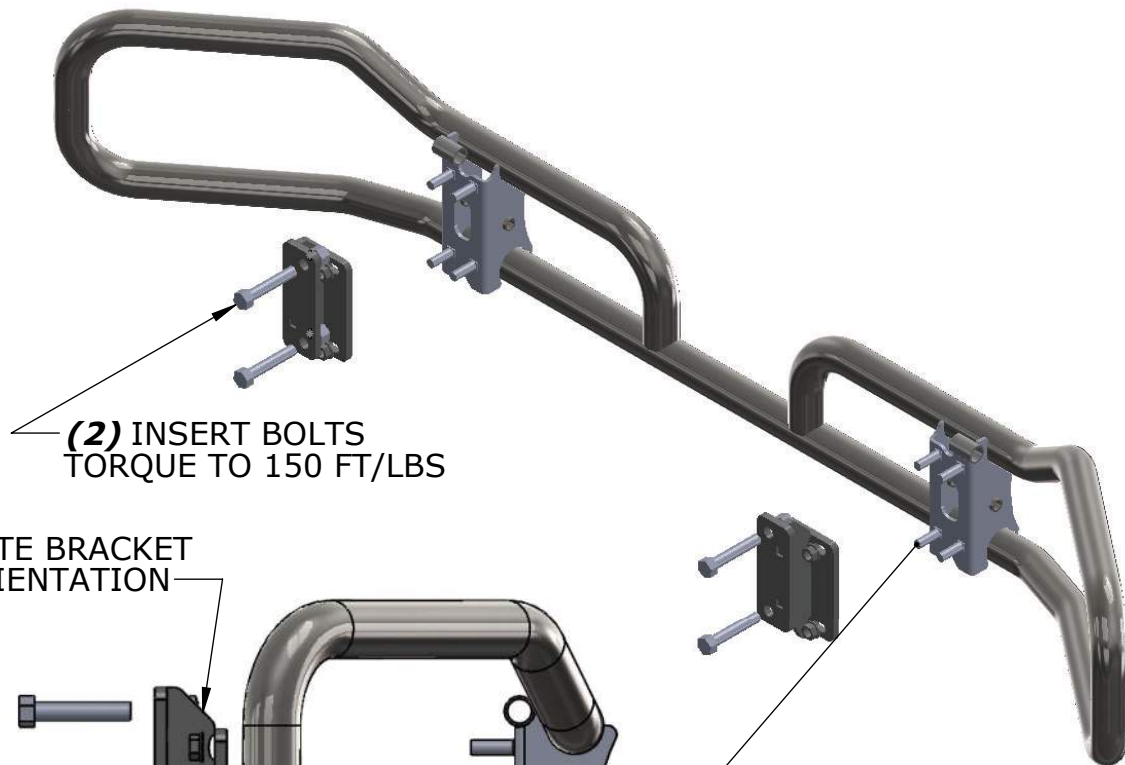
©THIS DRAWING IS THE PROPERTY OF EX-GUARD INDUSTRIES, INC. COPYRIGHT IS RESERVED BY THEM AND THE DRAWING ISSUED ON CONDITION THAT IT MUST NOT BE USED FOR ANY OTHER PURPOSE OTHER THAN FOR WHICH IT WAS SUPPLIED AND NOT TO BE COPIED, REPRODUCED, RETAINED OR DISCLOSED TO ANY UNAUTHORIZED PERSON EITHER WHOLLY OR IN PART WITHOUT THE CONSENT IN WRITING OF EX-GUARD INDUSTRIES INC.



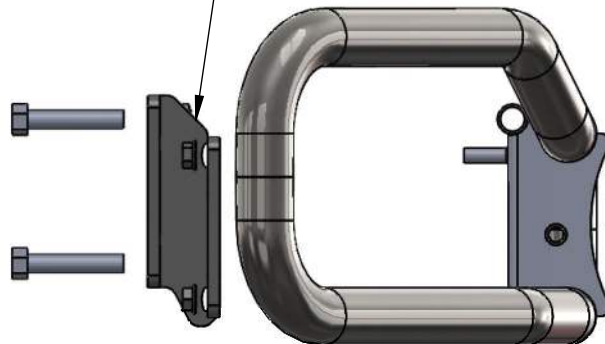
MOUNTING INSTRUCTIONS - XG-17HX MTS INS

INTERNATIONAL HX SERIES MODEL 615, 620 SET BACK AXLE

CALL: (888) 902-2777 FOR INSTALLATION QUESTIONS OR EMAIL: INFO@EX-GUARD.COM



NOTE BRACKET ORIENTATION



(3) INSTALL THE EX-GUARD BY INSERTING THE 5/8" STUDS INTO THE BRACKET SLOTS, INSTALL FLANGE NUTS, TORQUE TO 150 FT LBS.

IMPORTANT!! Any Ex-Guard grille guard, bracket kit, or hardware must be used with corresponding Ex-Guard components. Use of any other product or brand with Ex-Guard products will immediately void the warranty provided by Ex-Guard Industries.

© THIS DRAWING IS THE PROPERTY OF EX-GUARD INDUSTRIES, INC. COPYRIGHT IS RESERVED BY THEM AND THE DRAWING ISSUED ON CONDITION THAT IT MUST NOT BE USED FOR ANY OTHER PURPOSE OTHER THAN FOR WHICH IT WAS SUPPLIED AND NOT TO BE COPIED, REPRODUCED, RETAINED OR DISCLOSED TO ANY UNAUTHORIZED PERSON EITHER WHOLLY OR IN PART WITHOUT THE CONSENT IN WRITING OF EX-GUARD INDUSTRIES INC.

