



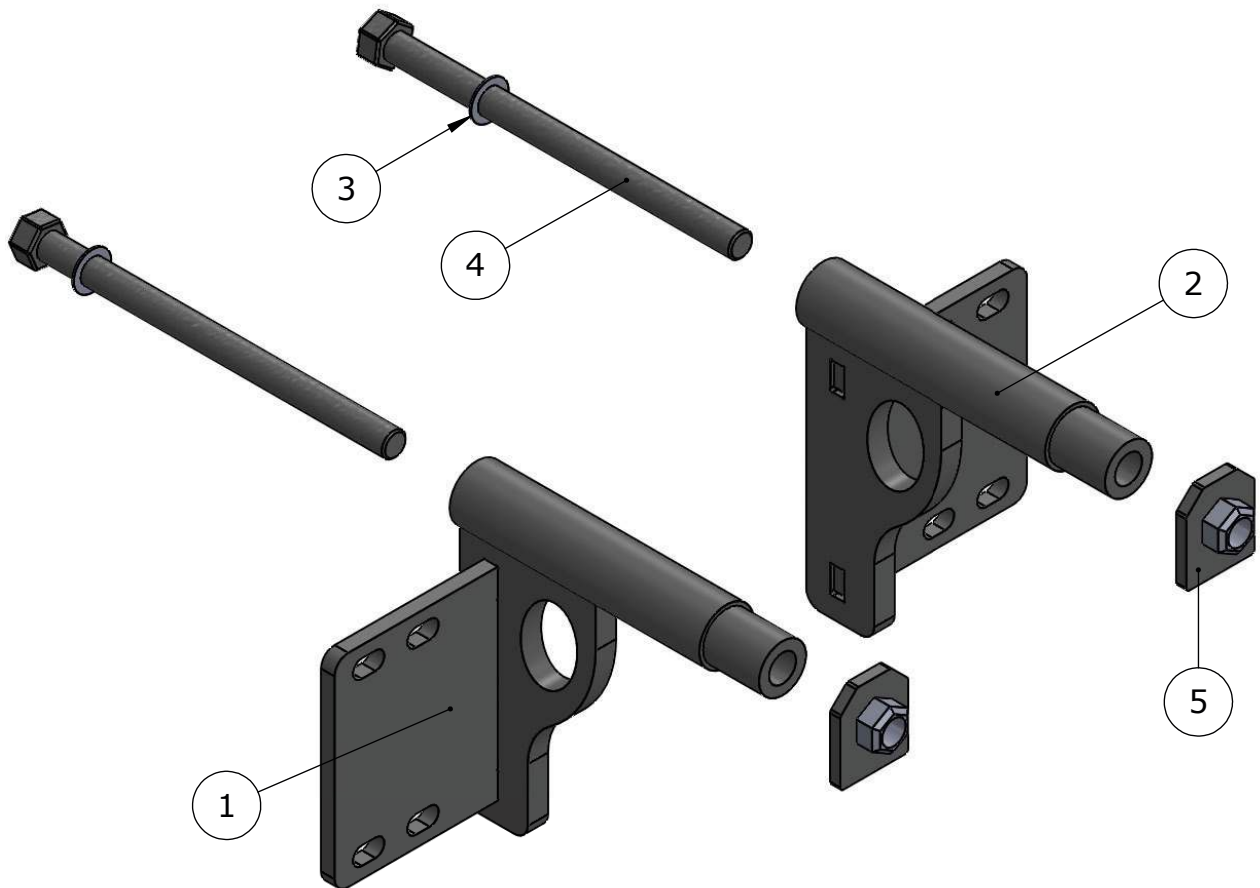
CALL: (888) 902-2777 FOR INSTALLATION QUESTIONS OR EMAIL: [INFO@EX-GUARD.COM](mailto:INFO@EX-GUARD.COM)

# PARTS LIST - XG-16ILS

BOLT KIT - XG-BRK10

COMPATIBLE GUARDS

- XG-B100, XG-125, XG-150, XG-195
- LT-325, LT-350
- HD-400, HD-425, HD-450, HD-495



ITEM NO.	PART NUMBER	DESCRIPTION	QTY.
1	XG-16ILS-BR10DR	MOUNTING BRACKET (LHS)	1
2	XG-16ILS-BR10PS	MOUNTING BRACKET (RHS)	1
3	XG-001-87NWMD0Y	7/8" GRADE 8 FLAT WASHER	2
4	XG-17ILT-BR07	XG-17ILT BOLT	2
5	XG-17ILTE-BR08	BACKUP WASHER W/ NUT	2

**ATTENTION!! Any Ex-Guard grille guard, bracket kit, or hardware must be used with corresponding Ex-Guard components. Use of any other product or brand with Ex-Guard products will immediately void the warranty provided by Ex-Guard Industries.**

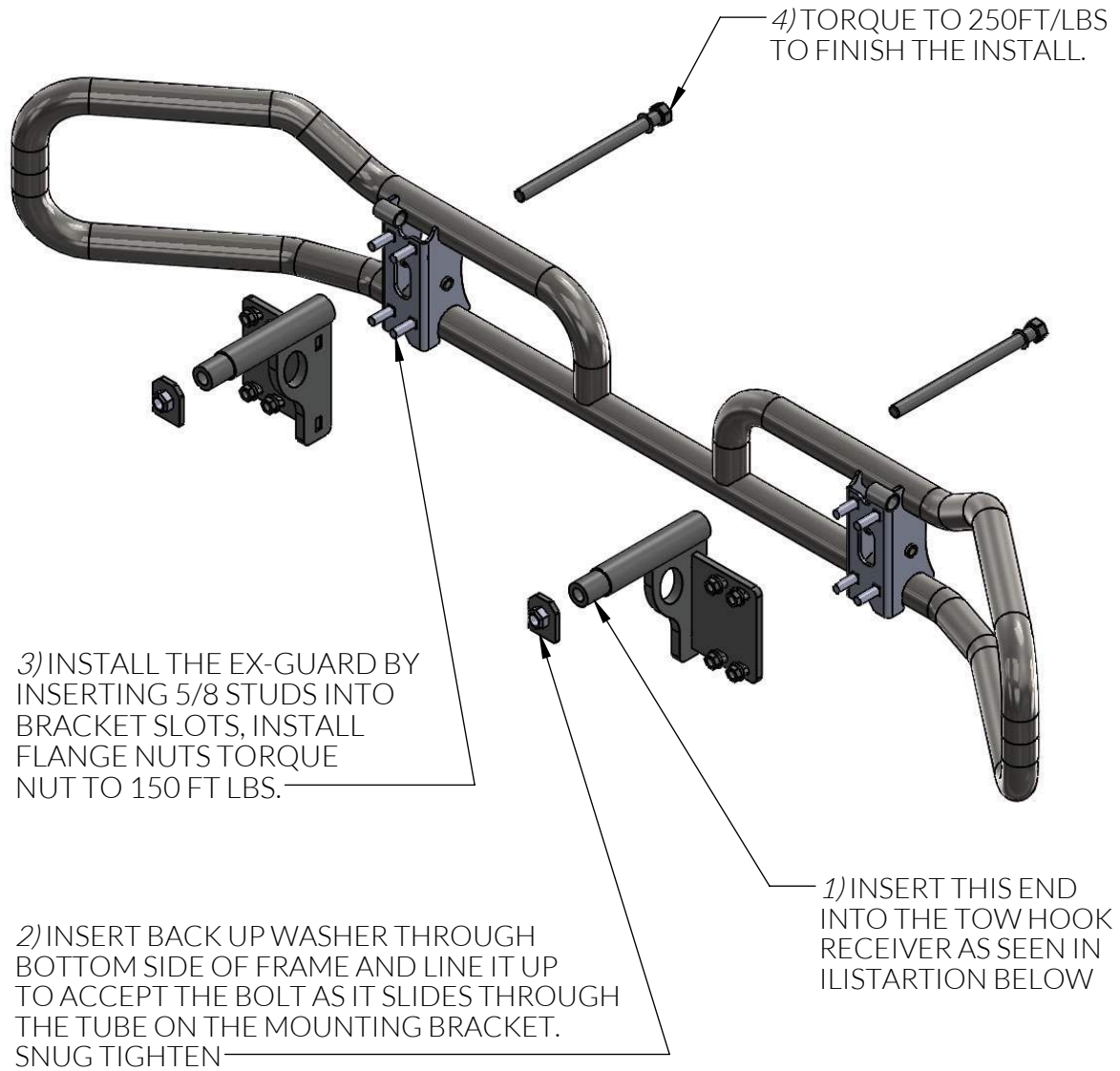
© THIS DRAWING IS THE PROPERTY OF EX-GUARD INDUSTRIES, INC. COPYRIGHT IS RESERVED BY THEM AND THE DRAWING ISSUED ON CONDITION THAT IT MUST NOT BE USED FOR ANY OTHER PURPOSE OTHER THAN FOR WHICH IT WAS SUPPLIED AND NOT TO BE COPIED, REPRODUCED, RETAINED OR DISCLOSED TO ANY UNAUTHORIZED PERSON EITHER WHOLLY OR IN PART WITHOUT THE CONSENT IN WRITING OF EX-GUARD INDUSTRIES INC.



CALL: (888) 902-2777 FOR INSTALLATION QUESTIONS OR EMAIL: [INFO@EX-GUARD.COM](mailto:INFO@EX-GUARD.COM)

# MOUNTING INSTRUCTIONS - XG-16ILS MT

## INTERNATIONAL PROSTAR AND LT SERIES WITH FACTORY PLASTIC BUMPER



**IMPORTANT!!** Any Ex-Guard grille guard, bracket kit, or hardware must be used with corresponding Ex-Guard components. Use of any other product or brand with Ex-Guard products will immediately void the warranty provided by Ex-Guard Industries.