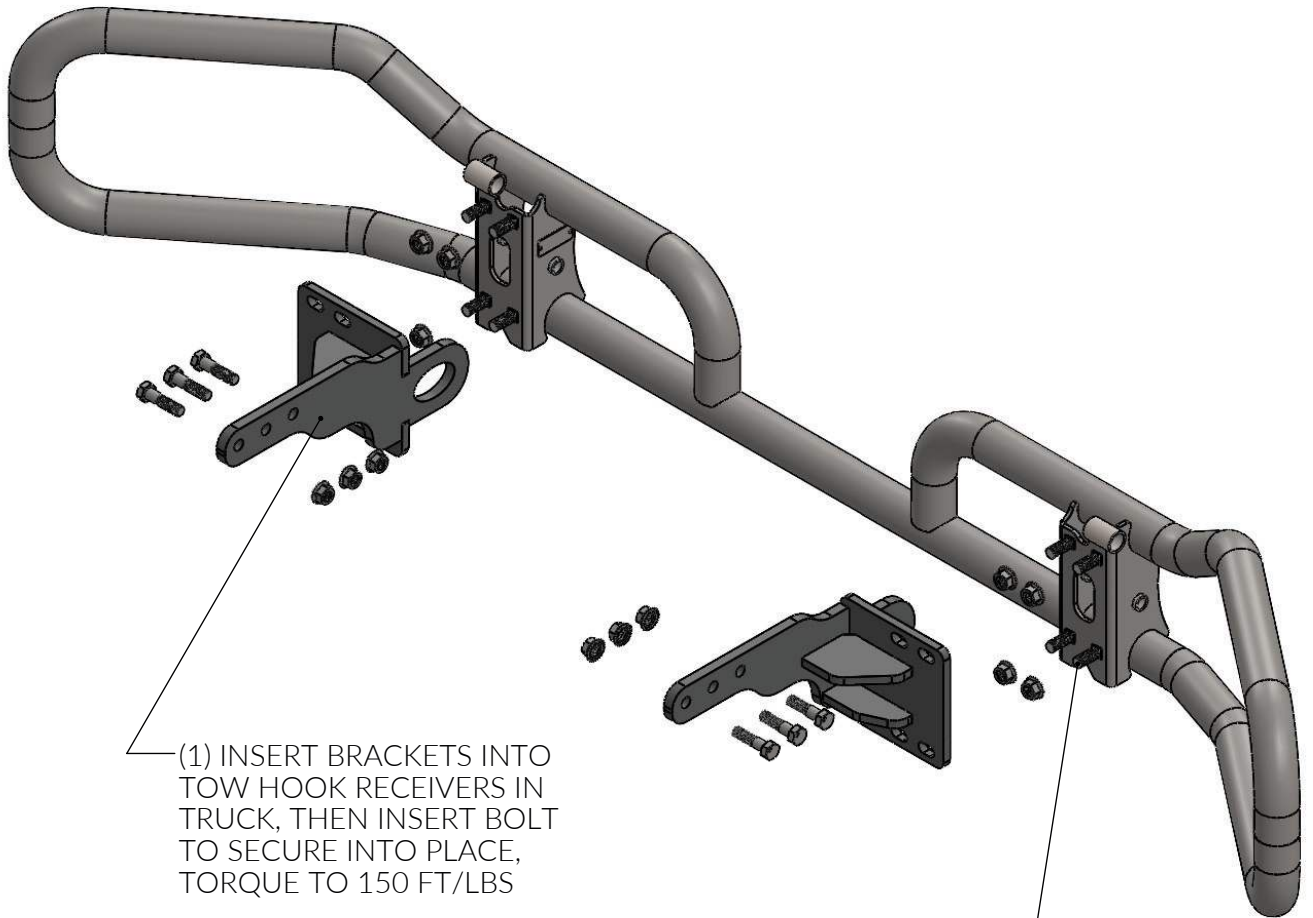




MOUNTING INSTRUCTIONS - XG-14F108 MT

CALL: (888) 902-2777 FOR INSTALLATION QUESTIONS OR EMAIL: INFO@EX-GUARD.COM



(1) INSERT BRACKETS INTO TOW HOOK RECEIVERS IN TRUCK, THEN INSERT BOLT TO SECURE INTO PLACE, TORQUE TO 150 FT/LBS

(2) INSERT 5/8 STUD INTO BRACKET SLOTS, INSTALL FLANGE NUTS. TORQUE TO 150 FT/LBS



IMPORTANT!! Any Ex-Guard grille guard, bracket kit, or hardware must be used with corresponding Ex-Guard components. Use of any other product or brand with Ex-Guard products will immediately void the warranty provided by Ex-Guard Industries.

© THIS DRAWING IS THE PROPERTY OF EX-GUARD INDUSTRIES, INC. COPYRIGHT IS RESERVED BY THEM AND THE DRAWING ISSUED ON CONDITION THAT IT MUST NOT BE USED FOR ANY OTHER PURPOSE OTHER THAN FOR WHICH IT WAS SUPPLIED AND NOT TO BE COPIED, REPRODUCED, RETAINED OR DISCLOSED TO ANY UNAUTHORIZED PERSON EITHER WHOLLY OR IN PART WITHOUT THE CONSENT IN WRITING OF EX-GUARD INDUSTRIES INC.



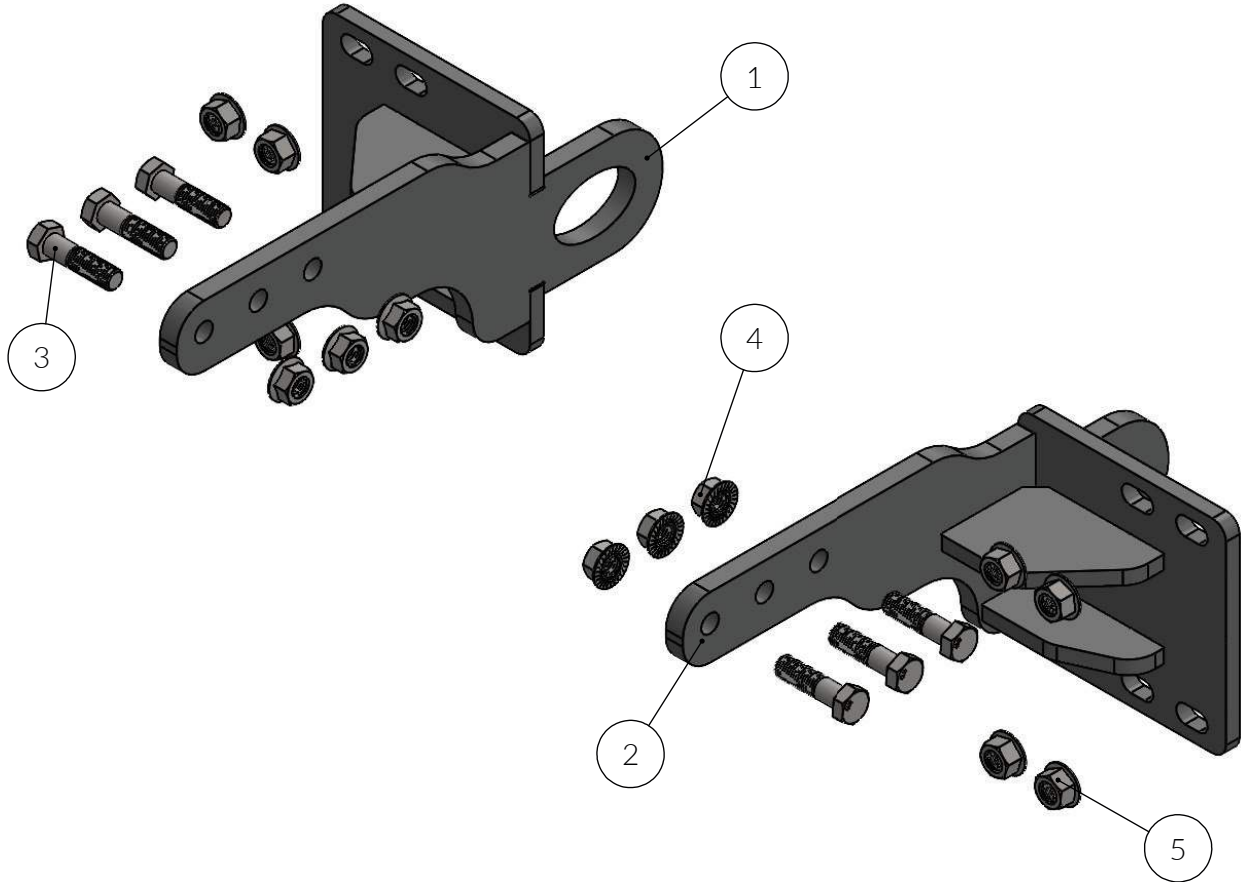
CALL: (888) 902-2777 FOR INSTALLATION QUESTIONS OR EMAIL: INFO@EX-GUARD.COM

PARTS LIST - XG-14F108

BOLT KIT - XG-BRK3 & XG-BRK23

COMPATIBLE GUARDS

- Check <https://ex-guard.com/>



ITEM NO.	PART NUMBER	DESCRIPTION	QTY.
1	XG-14F108-BR10DS	MOUNTING BRACKET (DS)	1
2	XG-14F108-BR10PS	MOUNTING BRACKET (PS)	1
3	XG-001-62C250HCS8Y	5/8-11 X 2 1/2" HEX HEAD BOLT	6
4	XG-001-62CNWFOY-HARD	5/8"-11 SERRATED FLANGE GRADE 8 LOCKNUT	6
5	XG-001-62CNWF0Z_HARD	5/8-11 FLANGE AUTO LOCKNUT	8

ATTENTION!! Any Ex-Guard grille guard, bracket kit, or hardware must be used with corresponding Ex-Guard components. Use of any other product or brand with Ex-Guard products will immediately void the warranty provided by Ex-Guard Industries.

