



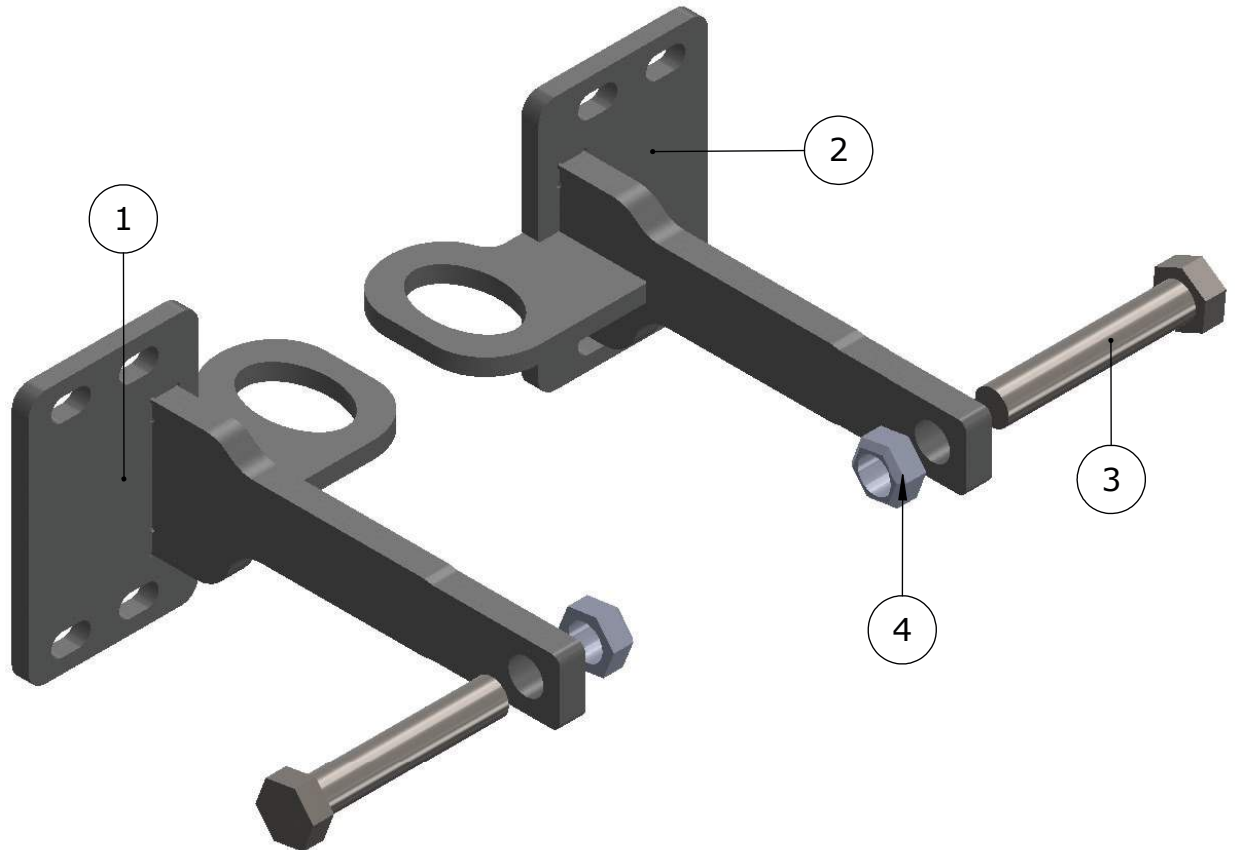
CALL: (888) 902-2777 FOR INSTALLATION QUESTIONS OR EMAIL: INFO@EX-GUARD.COM

PARTS LIST - XG-13KP

BOLT KIT - XG-BRK1

COMPATIBLE GUARDS

- XG-B100, XG-125, XG-150, XG-195
- LT-325, LT-350
- HD-400, HD-425, HD-450, HD-495



ITEM NO.	PART NUMBER	DESCRIPTION	QTY.
1	XG-13KP-BR10DR	MOUNTING BRACKET (RHS)	1
2	XG-13KP-BR10PS	MOUNTING BRACKET (LHS)	1
3	XG-001-100C550HCS8Y	1-8x5 1/2" Hex Cap GR8 Z&Y	2
4	XG-001-100CNUC0Z	1-8 AUTOMATION L/N GR. C ZINC	2

ATTENTION!! Any Ex-Guard grille guard, bracket kit, or hardware must be used with corresponding Ex-Guard components. Use of any other product or brand with Ex-Guard products will immediately void the warranty provided by Ex-Guard Industries.

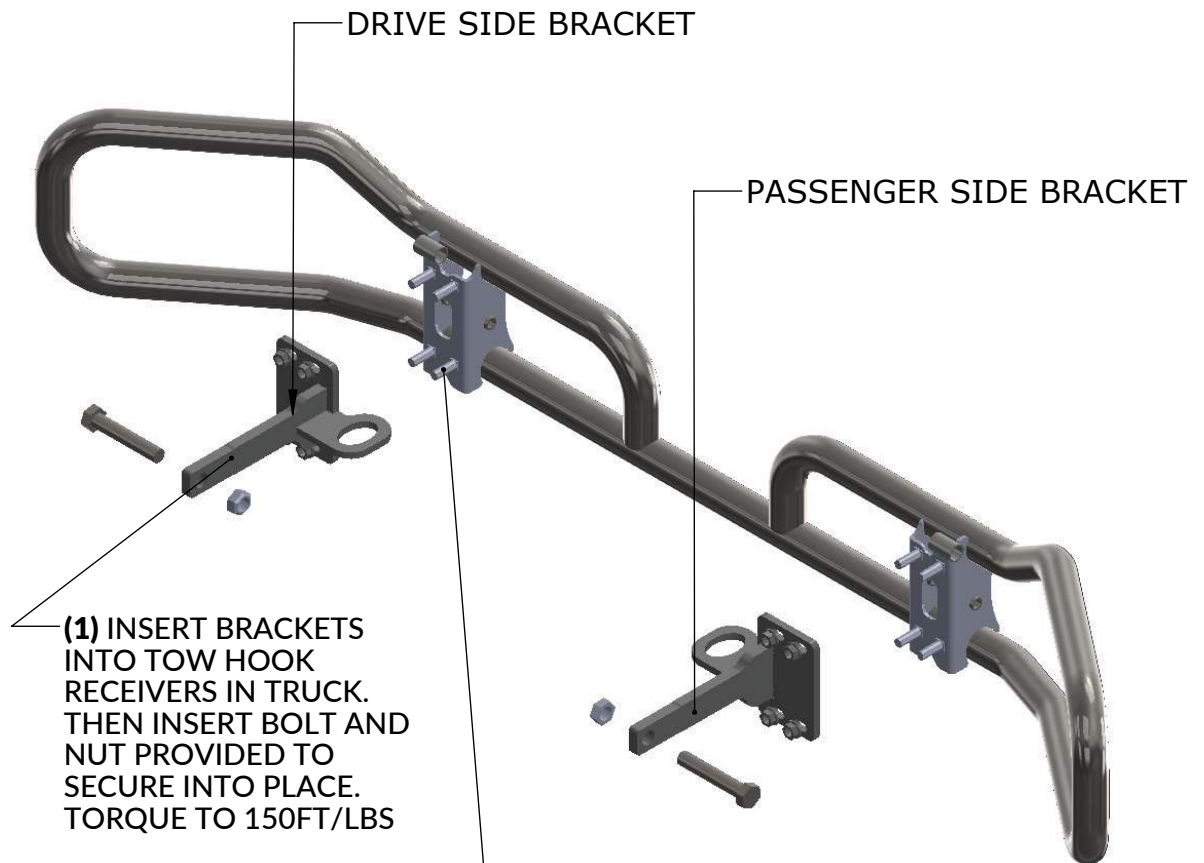
© THIS DRAWING IS THE PROPERTY OF EX-GUARD INDUSTRIES, INC. COPYRIGHT IS RESERVED BY THEM AND THE DRAWING ISSUED ON CONDITION THAT IT MUST NOT BE USED FOR ANY OTHER PURPOSE OTHER THAN FOR WHICH IT WAS SUPPLIED AND NOT TO BE COPIED, REPRODUCED, RETAINED OR DISCLOSED TO ANY UNAUTHORIZED PERSON EITHER WHOLLY OR IN PART WITHOUT THE CONSENT IN WRITING OF EX-GUARD INDUSTRIES INC.



CALL: (888) 902-2777 FOR INSTALLATION QUESTIONS OR EMAIL: INFO@EX-GUARD.COM

MOUNTING INSTRUCTIONS - XG-13KP MT INS

KENWORTH T800 ('05 - CURRENT), T880
PETERBILT 367 SET-BACK, 567 SET-BACK



(1) INSERT BRACKETS INTO TOW HOOK RECEIVERS IN TRUCK. THEN INSERT BOLT AND NUT PROVIDED TO SECURE INTO PLACE. TORQUE TO 150FT/LBS

(2) INSERT 5/8 STUDS INTO BRACKET SLOTS, INSTALL FLANGE NUTS TORQUE TO 150 FG/LBS



IMPORTANT!! Any Ex-Guard grille guard, bracket kit, or hardware must be used with corresponding Ex-Guard components. Use of any other product or brand with Ex-Guard products will immediately void the warranty provided by Ex-Guard Industries.