



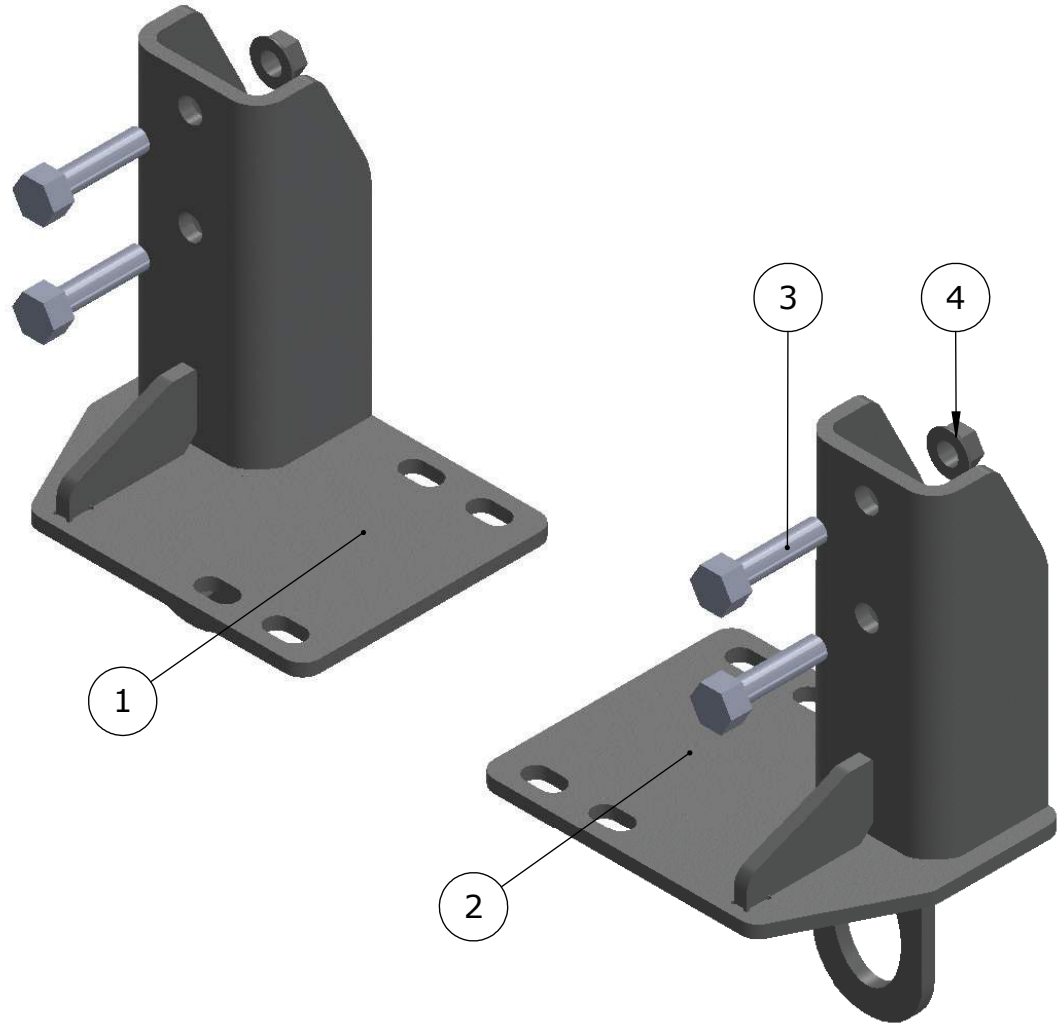
CALL: (888) 902-2777 FOR INSTALLATION QUESTIONS OR EMAIL: INFO@EX-GUARD.COM

PARTS LIST - XG-10ITS

BOLT KIT - XG-BRK17

COMPATIBLE GUARDS

- XG-B100, XG-125, XG-150
- LT-325, LT-350
- HD-400, HD-425, HD-450



ITEM NO.	PART NUMBER	DESCRIPTION	QTY.
1	XG-10ITS-BR10DR	LEFT MOUNTING BRACKET	1
2	XG-10ITS-BR10PS	RIGHT MOUNTING BRACKET	1
3	XG-001-62C250HCS8Y	5/8-11X2 1/2" HEX CAP GR8 Z&Y	4
4	XG-001-62CNWF0Z_HARD	5/8-11 Serr FlangeLn Hard ZINC	4

ATTENTION!! Any Ex-Guard grille guard, bracket kit, or hardware must be used with corresponding Ex-Guard components. Use of any other product or brand with Ex-Guard products will immediately void the warranty provided by Ex-Guard Industries.

© THIS DRAWING IS THE PROPERTY OF EX-GUARD INDUSTRIES, INC. COPYRIGHT IS RESERVED BY THEM AND THE DRAWING ISSUED ON CONDITION THAT IT MUST NOT BE USED FOR ANY OTHER PURPOSE OTHER THAN FOR WHICH IT WAS SUPPLIED AND NOT TO BE COPIED, REPRODUCED, RETAINED OR DISCLOSED TO ANY UNAUTHORIZED PERSON EITHER WHOLLY OR IN PART WITHOUT THE CONSENT IN WRITING OF EX-GUARD INDUSTRIES INC.



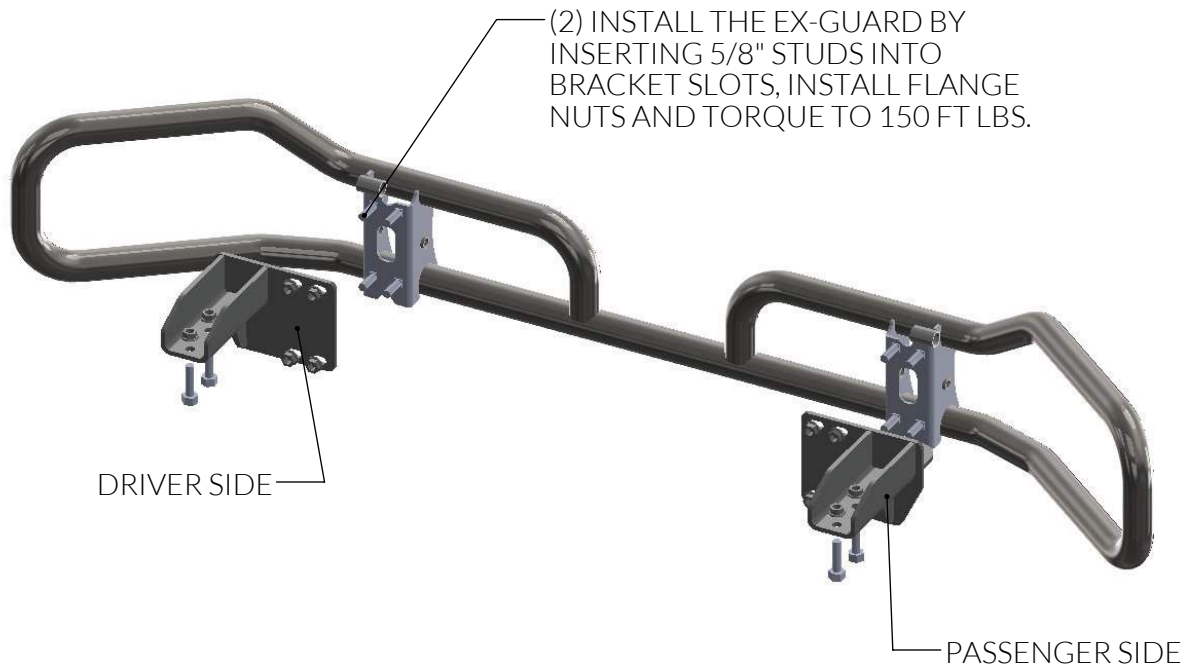


MOUNTING INSTRUCTIONS - XG-10ITS MT

INTERNATIONAL TERRASTAR '10 - CURRENT

CALL: (888) 902-2777 FOR INSTALLATION QUESTIONS OR EMAIL: INFO@EX-GUARD.COM

(1) LOCATE MOUNTING AREA ON FRAME AND REMOVE TOW HOOKS IF APPLICABLE. POSITION BRACKET THROUGH THE BUMPER OPENINGS SO THAT THE TWO HOLES LINE UP WITH THE TWO HOLES IN THE FRAME, INSERT BOLTS SUPPLIED AND TORQUE TO 150 FT LBS.



IMPORTANT!! Any Ex-Guard grille guard, bracket kit, or hardware must be used with corresponding Ex-Guard components. Use of any other product or brand with Ex-Guard products will immediately void the warranty provided by Ex-Guard Industries.