



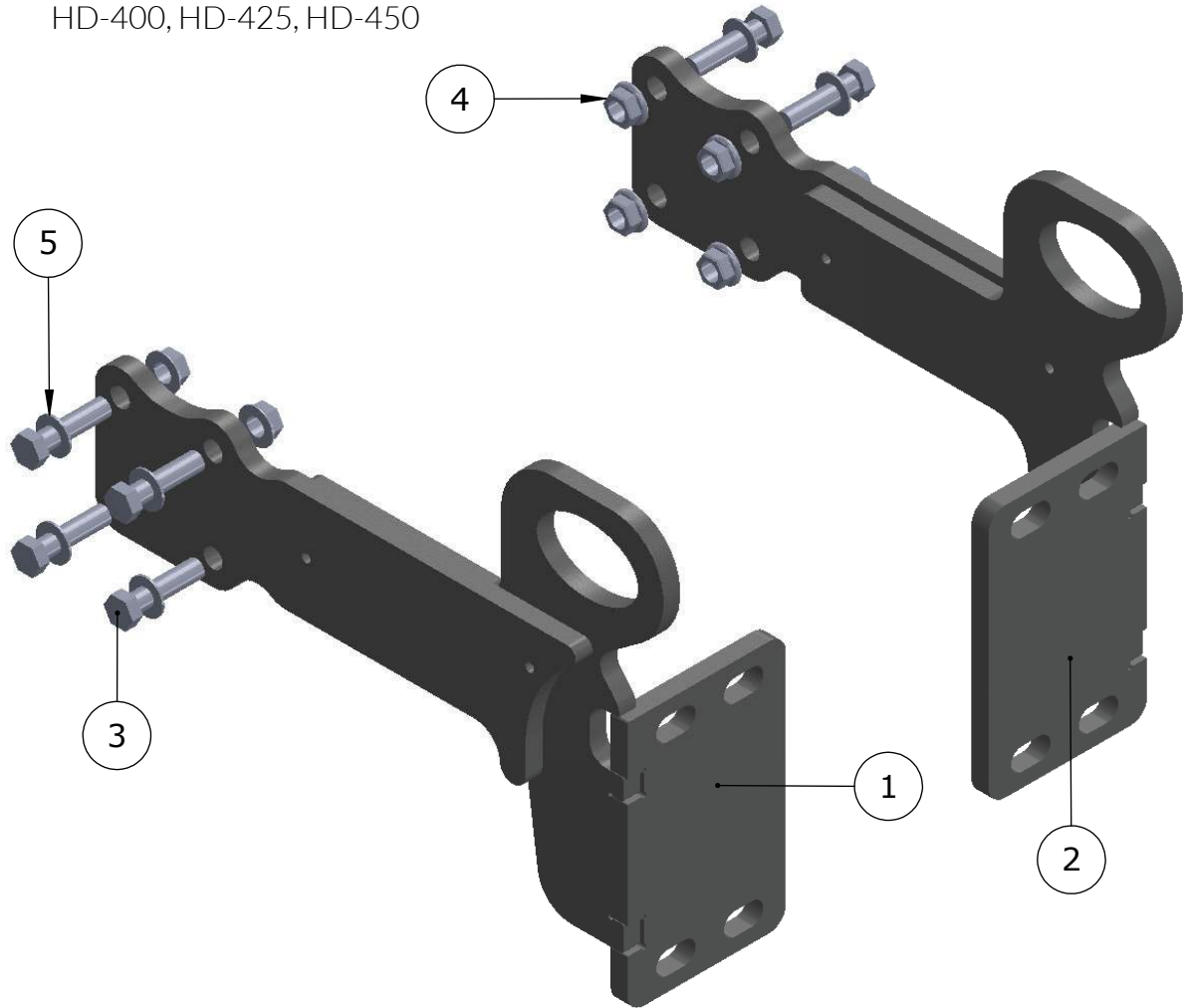
CALL: (888) 902-2777 FOR INSTALLATION QUESTIONS OR EMAIL: INFO@EX-GUARD.COM

PARTS LIST - XG-08IDSLE

BOLT KIT - XG-BRK5 (X2)

COMPATIBLE GUARDS

- XG-B100, XG-125, XG-150
- LT-325, LT-350
- HD-400, HD-425, HD-450



ITEM NO.	PART NUMBER	DESCRIPTION	QTY.
1	XG-08IDSLE-BR10DR	MOUNTING BRACKET (LHS)	1
2	XG-08IDSLE-BR10PS	MOUNTING BRACKET (RHS)	1
3	XG-001-50C200HCS8Y	1/2-13X2" Hex Cap GR8 Z&Y	8
4	XG-001-50CNWF0Y_HARD	1/2-13 SERRATED FLANGE NUT /Y	8
5	XG-001-50NWMD0Y	1/2 GRADE 8 FLAT WASHER	8

ATTENTION!! Any Ex-Guard grille guard, bracket kit, or hardware must be used with corresponding Ex-Guard components. Use of any other product or brand with Ex-Guard products will immediately void the warranty provided by Ex-Guard Industries.

© THIS DRAWING IS THE PROPERTY OF EX-GUARD INDUSTRIES, INC. COPYRIGHT IS RESERVED BY THEM AND THE DRAWING ISSUED ON CONDITION THAT IT MUST NOT BE USED FOR ANY OTHER PURPOSE OTHER THAN FOR WHICH IT WAS SUPPLIED AND NOT TO BE COPIED, REPRODUCED, RETAINED OR DISCLOSED TO ANY UNAUTHORIZED PERSON EITHER WHOLLY OR IN PART WITHOUT THE CONSENT IN WRITING OF EX-GUARD INDUSTRIES INC.

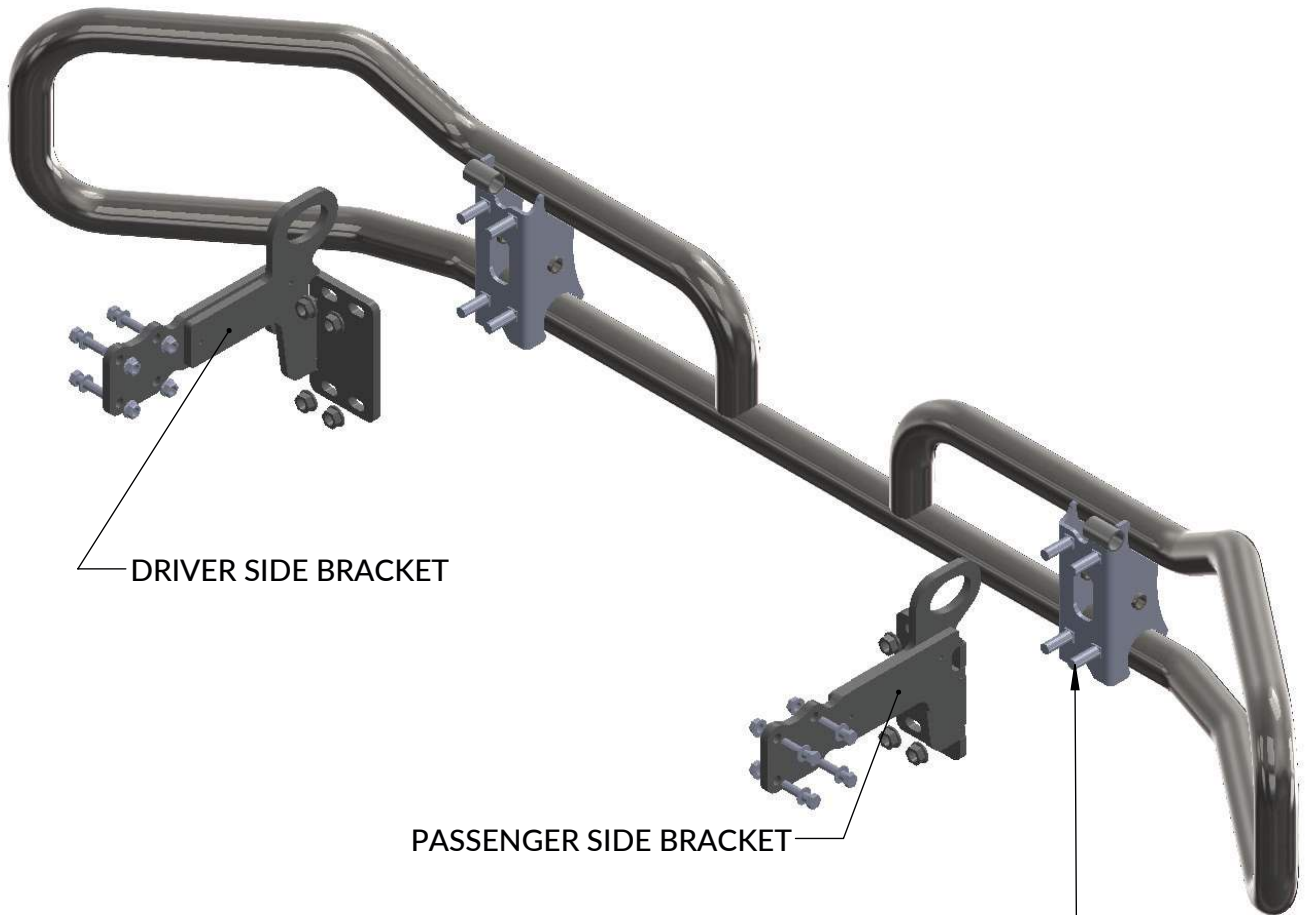


CALL: (888) 902-2777 FOR INSTALLATION QUESTIONS OR EMAIL: INFO@EX-GUARD.COM

MOUNTING INSTRUCTIONS - XG-08IDSLE MT

INTERNATIONAL 4300, 4400 & DURASTAR LARGE RADIATOR, EXTENDED FRAME '08 - CURRENT

(1) LOCATE MOUNTING AREA ON FRAME, AND REMOVE TOW HOOKS IF APPLICABLE. POSITION BRACKET THROUGH THE BUMPER OPENING SO THAT THE FOUR HOLES LINE UP WITH THE FOUR HOLES IN THE FRAME, INSERT BOLTS SUPPLIED AND TORQUE TO 100 FT LBS.



(2) INSTALL THE EX-GUARD BY INSERTING 5/8" STUDS INTO BRACKET SLOTS, INSTALL FLANGE NUTS AND TORQUE TO 150 FT LBS.

IMPORTANT!! Any Ex-Guard grille guard, bracket kit, or hardware must be used with corresponding Ex-Guard components. Use of any other product or brand with Ex-Guard products will immediately void the warranty provided by Ex-Guard Industries.

