



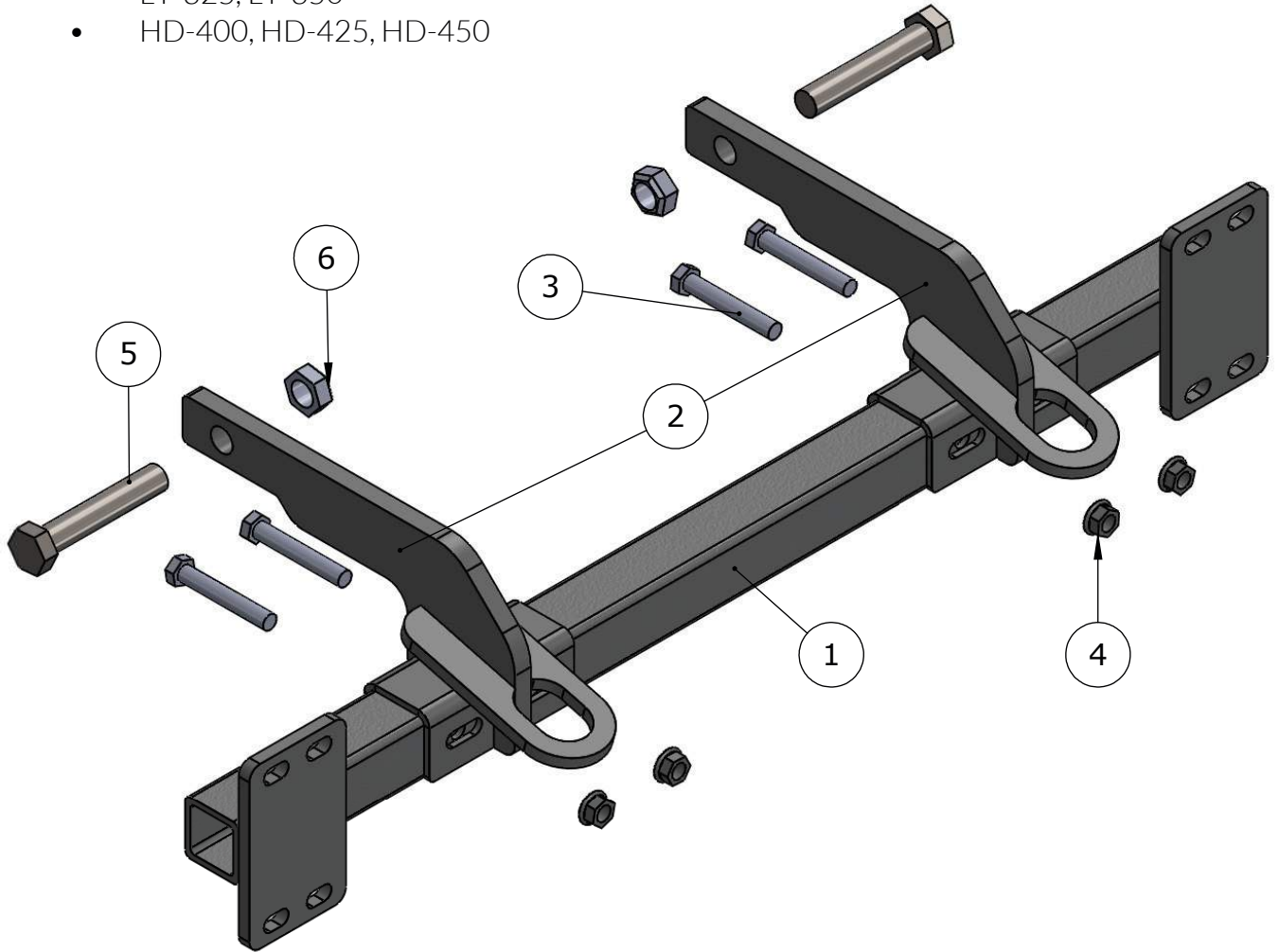
CALL: (888) 902-2777 FOR INSTALLATION QUESTIONS OR EMAIL: INFO@EX-GUARD.COM

PARTS LIST - XG-06KT3

BOLT KIT - XG-BRK1 & BRK7

COMPATIBLE GUARDS

- XG-B100, XG-125, XG-150
- LT-325, LT-350
- HD-400, HD-425, HD-450



ITEM NO.	PART NUMBER	DESCRIPTION	QTY.
1	XG-06KT3-BR09	GUARD MOUNT	1
2	XG-06KT3-BR10	MOUNTING BRACKET	2
3	XG-001-62C400HCS8Y	5/8-11X4 Hex CapGR8 Z&Y	4
4	XG-001-62CNWF0Z_HARD	5/8-11 Serr FlangeLn Hard ZINC	4
5	XG-001-100C550HCS8Y	1-8x5 1/2" Hex Cap GR8 Z&Y	2
6	XG-001-100CNUC0Z	1-8 AUTOMATION L/N GR. C ZINC	2

ATTENTION!! Any Ex-Guard grille guard, bracket kit, or hardware must be used with corresponding Ex-Guard components. Use of any other product or brand with Ex-Guard products will immediately void the warranty provided by Ex-Guard Industries.

© THIS DRAWING IS THE PROPERTY OF EX-GUARD INDUSTRIES, INC. COPYRIGHT IS RESERVED BY THEM AND THE DRAWING ISSUED ON CONDITION THAT IT MUST NOT BE USED FOR ANY OTHER PURPOSE OTHER THAN FOR WHICH IT WAS SUPPLIED AND NOT TO BE COPIED, REPRODUCED, RETAINED OR DISCLOSED TO ANY UNAUTHORIZED PERSON EITHER WHOLLY OR IN PART WITHOUT THE CONSENT IN WRITING OF EX-GUARD INDUSTRIES INC.

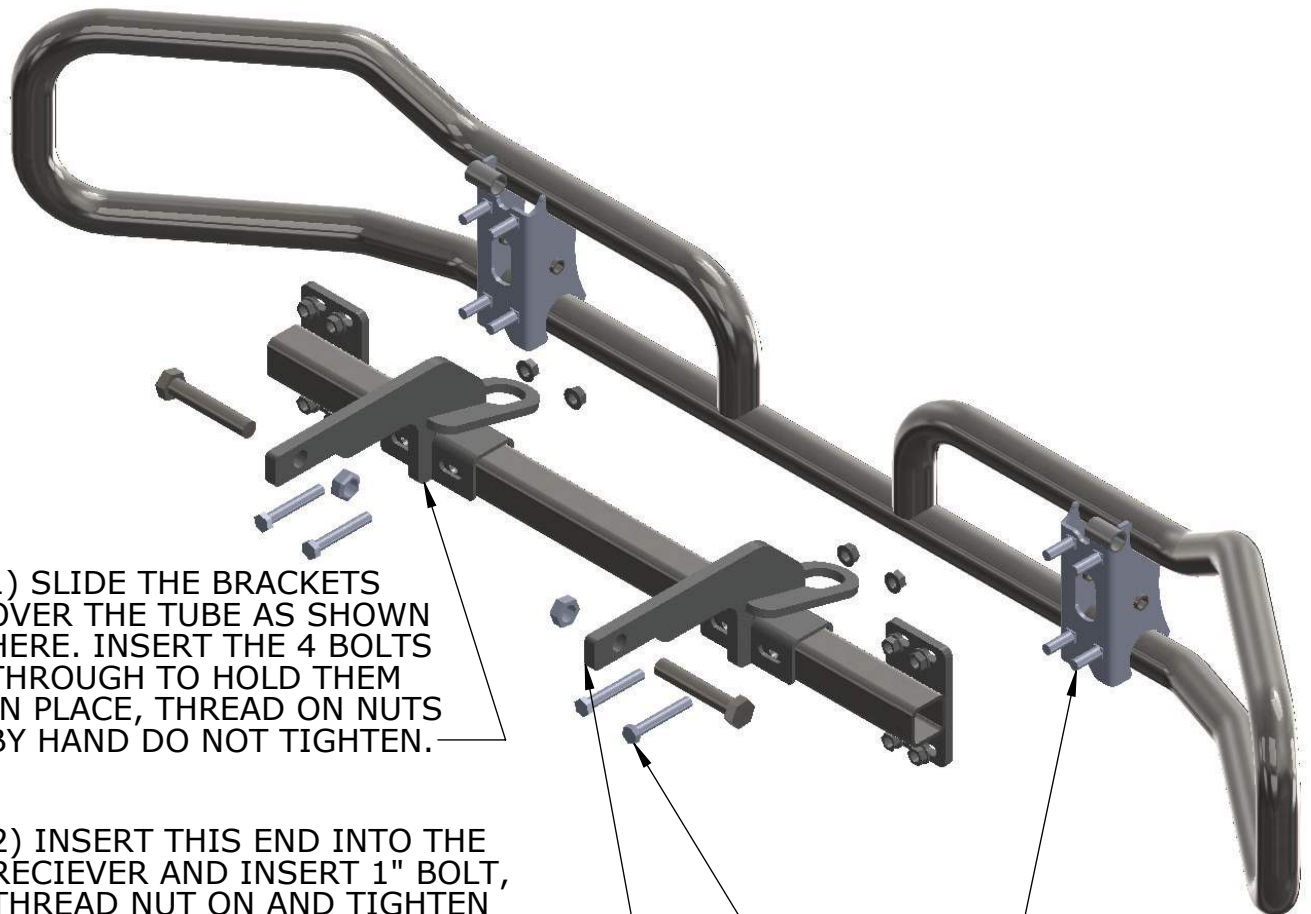




MOUNTING INSTRUCTIONS - XG-06KT3 MTS

KENWORTH T170, T270, 300, T370

CALL: (888) 902-2777 FOR INSTALLATION QUESTIONS OR EMAIL: INFO@EX-GUARD.COM



1) SLIDE THE BRACKETS OVER THE TUBE AS SHOWN HERE. INSERT THE 4 BOLTS THROUGH TO HOLD THEM IN PLACE, THREAD ON NUTS BY HAND DO NOT TIGHTEN.

2) INSERT THIS END INTO THE RECEIVER AND INSERT 1" BOLT, THREAD NUT ON AND TIGHTEN UNTIL THE ARE AT LEAST 3 THREADS PROTUDING PAST THE NUT. (THIS BOLT IS JUST A RETAINER, IT IS NOT REQUIRED TO BE TIGHT.)

3) MAKE SURE THE TUBE IS CENTERED ON THE TRUCK TORQUE THESE BOLTS TO 200FT/LBS

4) INSTALL THE EX-GUARD BY INSERTING STUDS INTO THE BRACKET SLOTS, INSTALL THE FLANGE NUTS, TORQUE TO 150 FT/LBS.

IMPORTANT!! Any Ex-Guard grille guard, bracket kit, or hardware must be used with corresponding Ex-Guard components. Use of any other product or brand with Ex-Guard products will immediately void the warranty provided by Ex-Guard Industries.

