



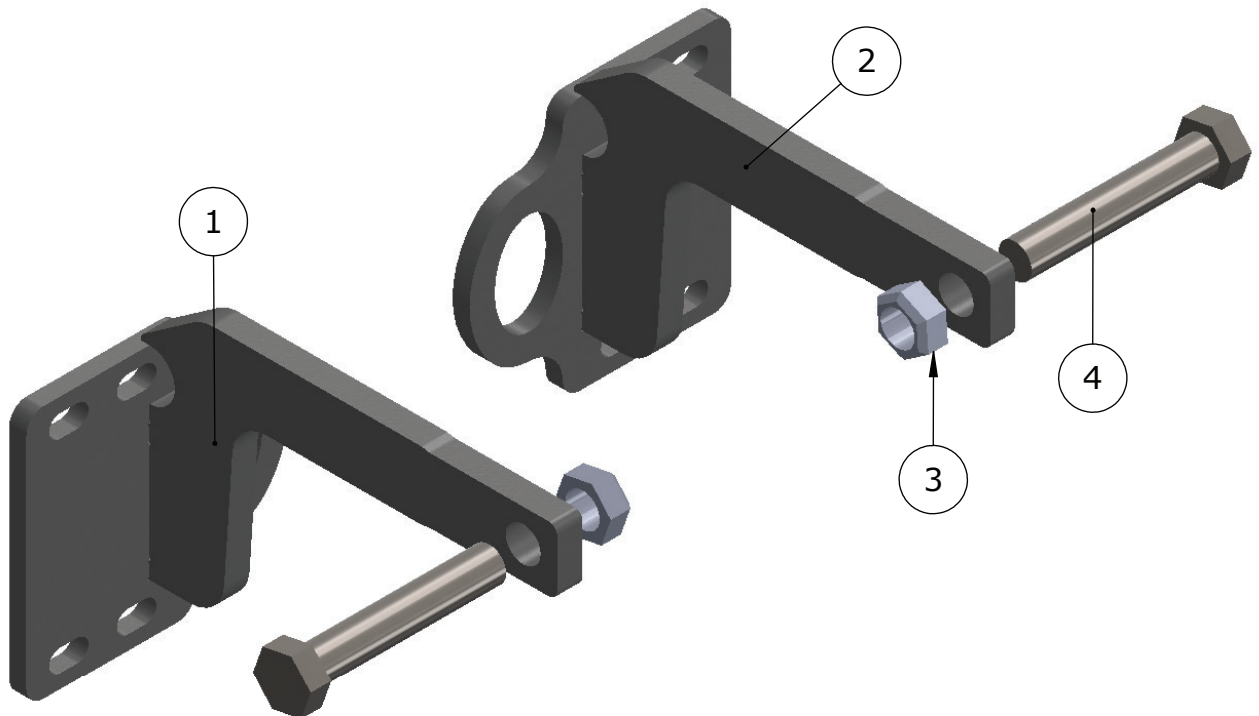
CALL: (888) 902-2777 FOR INSTALLATION QUESTIONS OR EMAIL: INFO@EX-GUARD.COM

PARTS LIST - XG-06KT2

BOLT KIT - XG-BRK1

COMPATIBLE GUARDS

- XG-B100, XG-125, XG-150, XG-195
- LT-325, LT-350
- HD-400, HD-425, HD-450, HD-495



ITEM NO.	PART NUMBER	DESCRIPTION	QTY.
1	XG-06KT2-BR10DS	MOUNTING BRACKET LHS	1
2	XG-06KT2-BR10PS	MOUNTING BRACKET RHS	1
3	XG-001-100CNUC0Z	1-8 AUTOMATION L/N GR. C ZINC	2
4	XG-001-100C550HCS8Y	1-8x5 1/2" Hex Cap GR8 Z&Y	2

ATTENTION!! Any Ex-Guard grille guard, bracket kit, or hardware must be used with corresponding Ex-Guard components. Use of any other product or brand with Ex-Guard products will immediately void the warranty provided by Ex-Guard Industries.

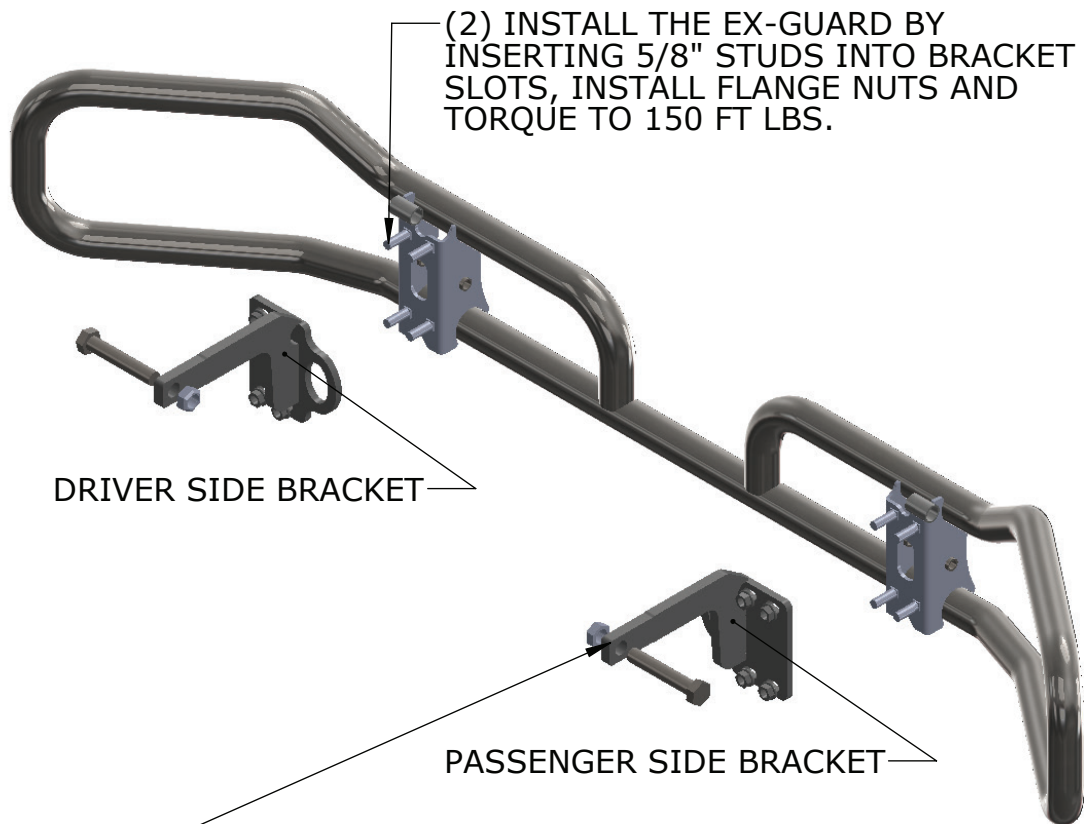
© THIS DRAWING IS THE PROPERTY OF EX-GUARD INDUSTRIES, INC. COPYRIGHT IS RESERVED BY THEM AND THE DRAWING ISSUED ON CONDITION THAT IT MUST NOT BE USED FOR ANY OTHER PURPOSE OTHER THAN FOR WHICH IT WAS SUPPLIED AND NOT TO BE COPIED, REPRODUCED, RETAINED OR DISCLOSED TO ANY UNAUTHORIZED PERSON EITHER WHOLLY OR IN PART WITHOUT THE CONSENT IN WRITING OF EX-GUARD INDUSTRIES INC.



MOUNTING INSTRUCTIONS - XG-06KT2 MT

KENWORTH T2000

CALL: (888) 902-2777 FOR INSTALLATION QUESTIONS OR EMAIL: INFO@EX-GUARD.COM



DRIVER SIDE BRACKET

PASSENGER SIDE BRACKET

(1) INSERT BRACKETS INTO TOW HOOK RECEIVERS IN TRUCK. THEN INSERT BOLT AND NUT TO SECURE INTO PLACE. TORQUE TO 150 FT LBS.

(2) INSTALL THE EX-GUARD BY INSERTING 5/8" STUDS INTO BRACKET SLOTS, INSTALL FLANGE NUTS AND TORQUE TO 150 FT LBS.



IMPORTANT!! Any Ex-Guard grille guard, bracket kit, or hardware must be used with corresponding Ex-Guard components. Use of any other product or brand with Ex-Guard products will immediately void the warranty provided by Ex-Guard Industries.