



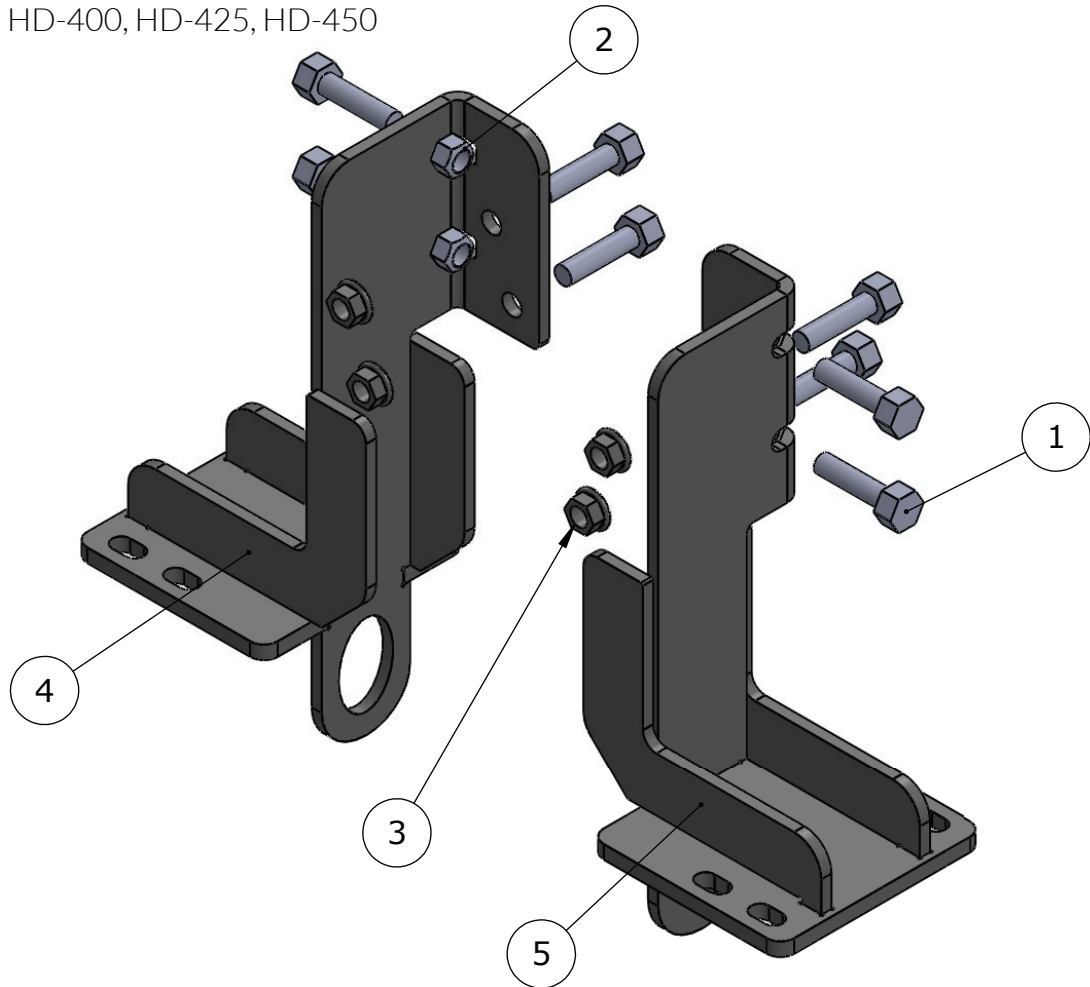
CALL: (888) 902-2777 FOR INSTALLATION QUESTIONS OR EMAIL: INFO@EX-GUARD.COM

PARTS LIST - XG-06FM2106E

BOLT KIT - XG-BRK16

COMPATIBLE GUARDS

- XG-B100, XG-125, XG-150
- LT-325, LT-350
- HD-400, HD-425, HD-450



ITEM NO.	PART NUMBER	DESCRIPTION	QTY.
1	XG-001-62C250HCS8Y	5/8-11X2 1/2" HEX CAP GR8 Z&Y	8
2	XG-001-62CNUC0Z	5/8-11 Automation L/N GR.C ZINC	4
3	XG-001-62CNWF0Z_HARD	5/8-11 Serr FlangeLn Hard ZINC	4
4	XG-06FM2106E-BR10DR	MOUNTING BRACKET (LHS)	1
5	XG-06FM2106E-BR10PS	MOUNTING BRACKET (LHS)	1

ATTENTION!! Any Ex-Guard grille guard, bracket kit, or hardware must be used with corresponding Ex-Guard components. Use of any other product or brand with Ex-Guard products will immediately void the warranty provided by Ex-Guard Industries.

© THIS DRAWING IS THE PROPERTY OF EX-GUARD INDUSTRIES, INC. COPYRIGHT IS RESERVED BY THEM AND THE DRAWING ISSUED ON CONDITION THAT IT MUST NOT BE USED FOR ANY OTHER PURPOSE OTHER THAN FOR WHICH IT WAS SUPPLIED AND NOT TO BE COPIED, REPRODUCED, RETAINED OR DISCLOSED TO ANY UNAUTHORIZED PERSON EITHER WHOLLY OR IN PART WITHOUT THE CONSENT IN WRITING OF EX-GUARD INDUSTRIES INC.

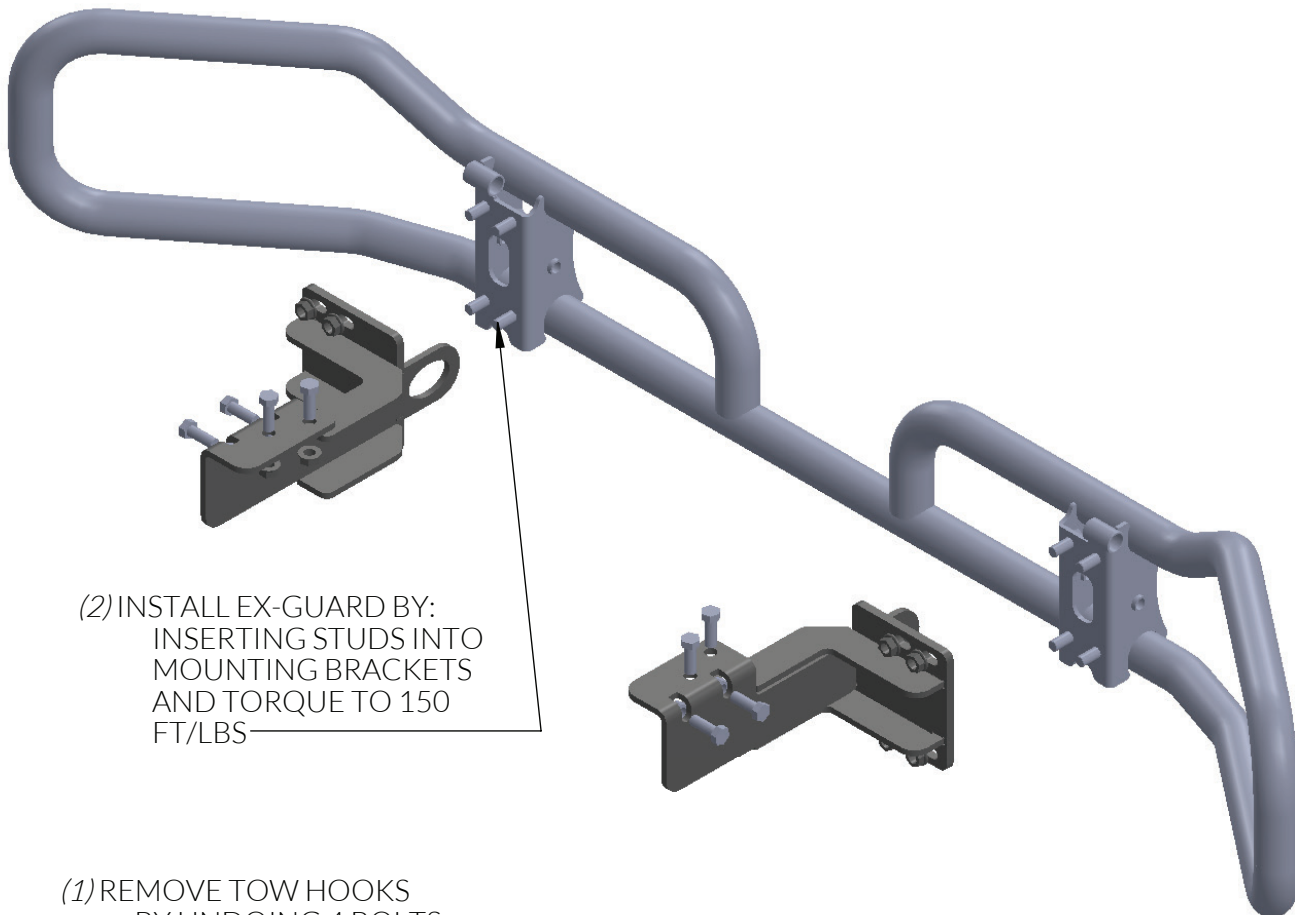




MOUNTING INSTRUCTIONS - XG-06FM2106E MT

FREIGHTLINER M2 106 WITH EXTENDED BUMPER UP TO -'08

CALL: (888) 902-2777 FOR INSTALLATION QUESTIONS OR EMAIL: INFO@EX-GUARD.COM



(2) INSTALL EX-GUARD BY:
INSERTING STUDS INTO
MOUNTING BRACKETS
AND TORQUE TO 150
FT/LBS

(1) REMOVE TOW HOOKS
BY UNDOING 4 BOLTS
PER SIDE AND INSTALL
BRACKETS AS SHOWN
USING BOLTS SUPPLIED,
TORQUE TO 150 FT/LBS.



IMPORTANT!! Any Ex-Guard grille guard, bracket kit, or hardware must be used with corresponding Ex-Guard components. Use of any other product or brand with Ex-Guard products will immediately void the warranty provided by Ex-Guard Industries.

