



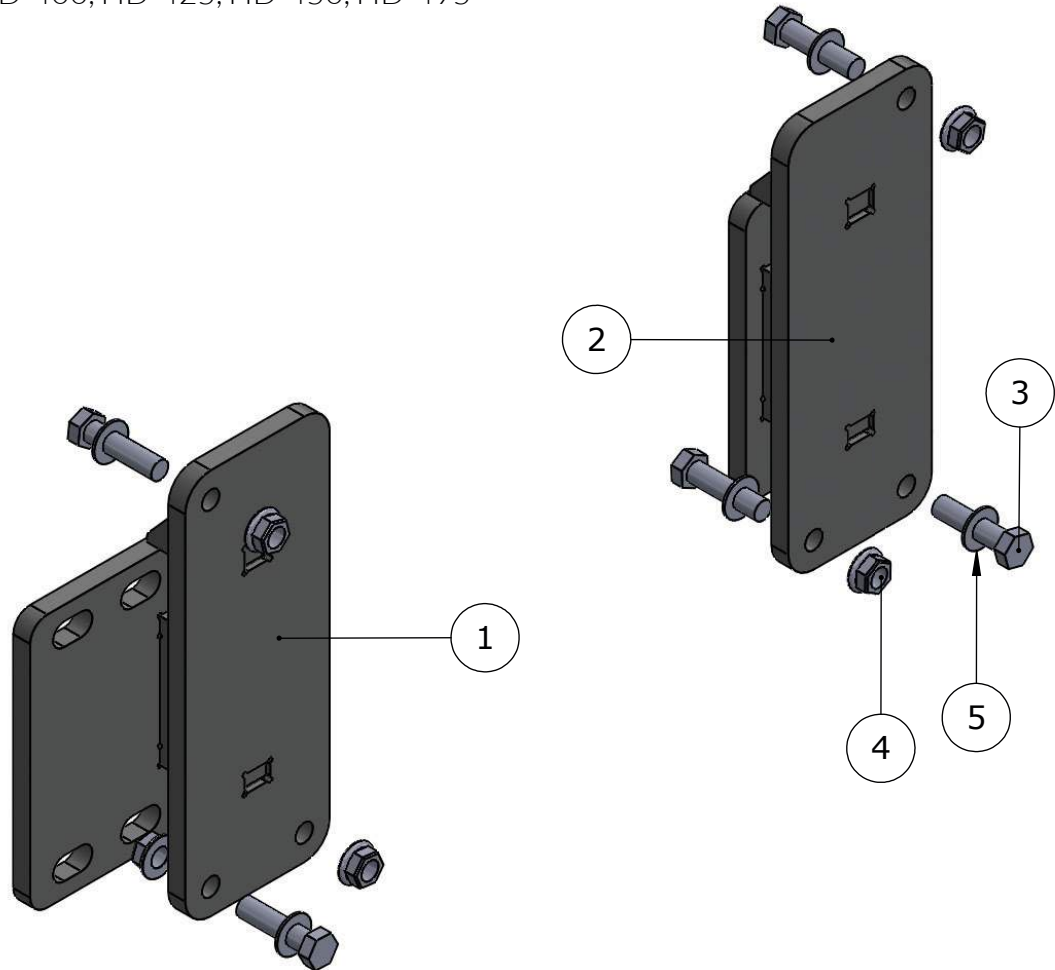
CALL: (888) 902-2777 FOR INSTALLATION QUESTIONS OR EMAIL: INFO@EX-GUARD.COM

PARTS LIST - XG-05KT8

BOLT KIT - XG-BRK

COMPATIBLE GUARDS

- XG-B100, XG-125, XG-150, XG-195
- LT-325, LT-350
- HD-400, HD-425, HD-450, HD-495



ITEM NO.	PART NUMBER	DESCRIPTION	Default/QTY.
1	XG-05KT8-BR10DR	MOUNTING BRACKET (LHS)	1
2	XG-05KT8-BR10PS	MOUNTING BRACKET (RHS)	1
3	XG-001-50C200HCS8Y	1/2-13X2" Hex Cap GR8 Z&Y	6
4	XG-001-50CNWF0Y_HARD	1/2-13 SERRATED FLANGE NUT /Y	6
5	XG-001-50NWMD0Y	1/2 GRADE 8 FLAT WASHER	6

ATTENTION!! Any Ex-Guard grille guard, bracket kit, or hardware must be used with corresponding Ex-Guard components. Use of any other product or brand with Ex-Guard products will immediately void the warranty provided by Ex-Guard Industries.

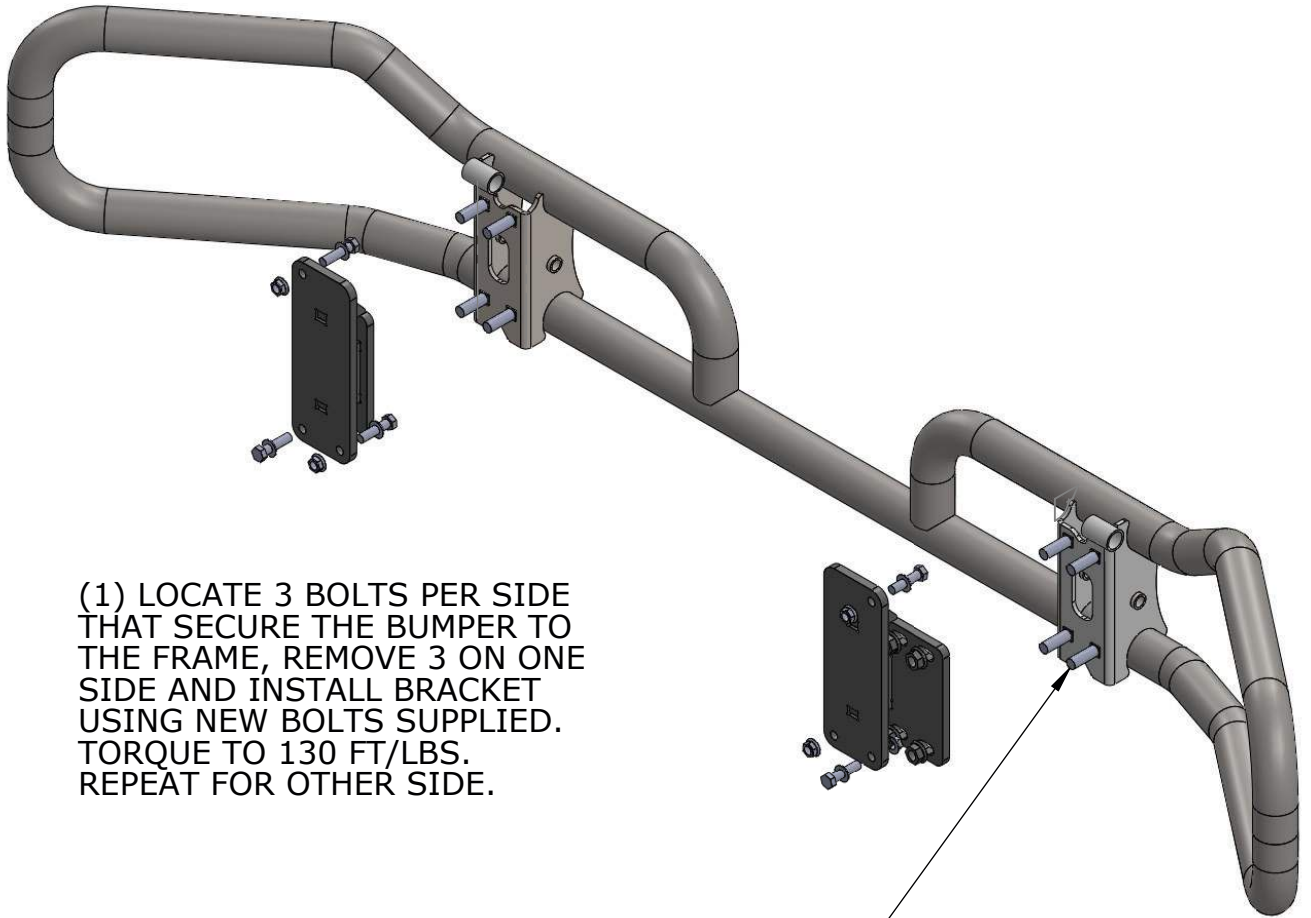
© THIS DRAWING IS THE PROPERTY OF EX-GUARD INDUSTRIES, INC. COPYRIGHT IS RESERVED BY THEM AND THE DRAWING ISSUED ON CONDITION THAT IT MUST NOT BE USED FOR ANY OTHER PURPOSE OTHER THAN FOR WHICH IT WAS SUPPLIED AND NOT TO BE COPIED, REPRODUCED, RETAINED OR DISCLOSED TO ANY UNAUTHORIZED PERSON EITHER WHOLLY OR IN PART WITHOUT THE CONSENT IN WRITING OF EX-GUARD INDUSTRIES INC.



MOUNTING INSTRUCTIONS - XG-05KT8 MT

KENWORTH T-800 CENTER TOW HOOK, NO RECEIVERS

CALL: (888) 902-2777 FOR INSTALLATION QUESTIONS OR EMAIL: INFO@EX-GUARD.COM



(1) LOCATE 3 BOLTS PER SIDE THAT SECURE THE BUMPER TO THE FRAME, REMOVE 3 ON ONE SIDE AND INSTALL BRACKET USING NEW BOLTS SUPPLIED. TORQUE TO 130 FT/LBS. REPEAT FOR OTHER SIDE.

(2) INSTALL THE EX-GUARD BY INSERTING 5/8" STUDS INTO BRACKET SLOTS, INSTALL FLANGE NUTS AND TORQUE TO 150 FT/LBS.



IMPORTANT!! Any Ex-Guard grille guard, bracket kit, or hardware must be used with corresponding Ex-Guard components. Use of any other product or brand with Ex-Guard products will immediately void the warranty provided by Ex-Guard Industries.