



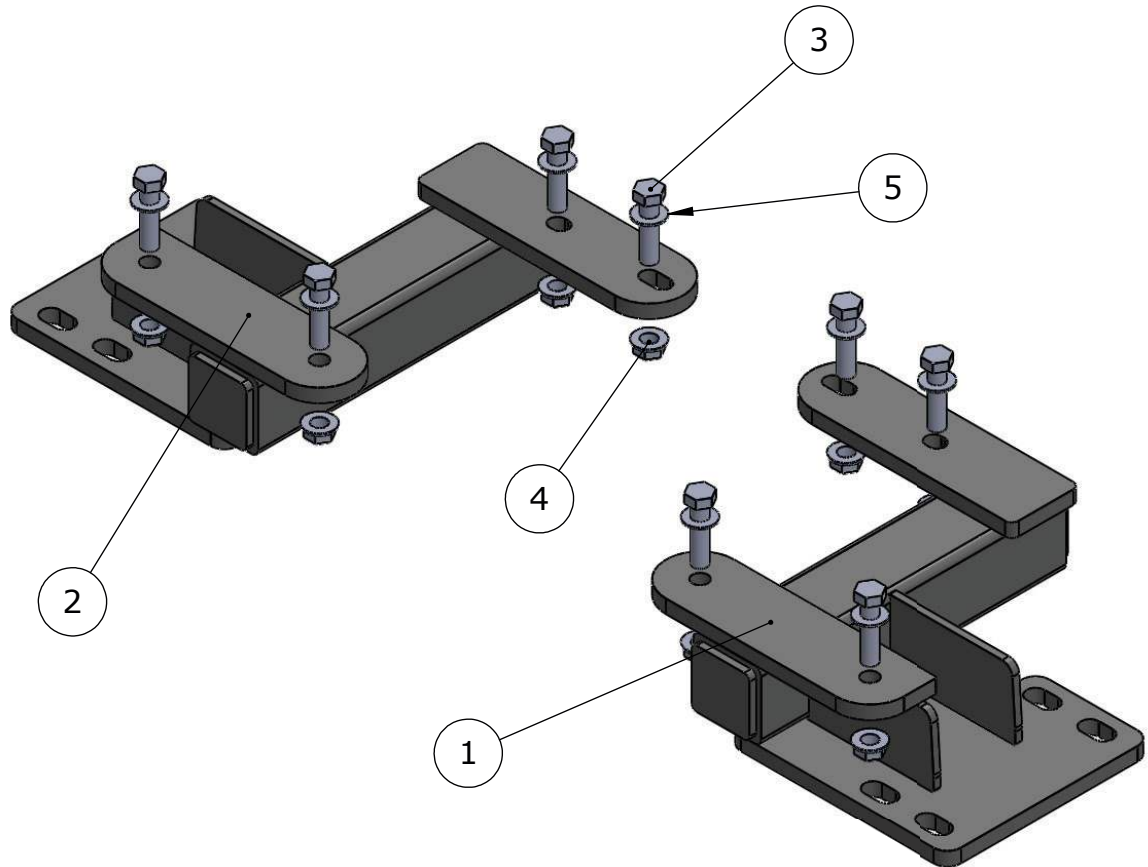
CALL: (888) 902-2777 FOR INSTALLATION QUESTIONS OR EMAIL: [INFO@EX-GUARD.COM](mailto:INFO@EX-GUARD.COM)

# PARTS LIST - XG-05FXL

BOLT KIT - XG-BRK5 (x2)

COMPATIBLE GUARDS

- XG-B200, XG-225, XG-250



ITEM NO.	PART NUMBER	DESCRIPTION	QTY.
1	XG-05FXL-BR10DR	MOUNTING PLATE (LHS)	1
2	XG-05FXL-BR10PS	MOUNTING PLATE (RHS)	1
3	XG-001-50C200HCS8Y	1/2-13X2" Hex Cap GR8 Z&Y	8
4	XG-001-50CNWF0Y_HARD	1/2-13 SERRATED FLANGE NUT /Y	8
5	XG-001-50NWMD0Y	1/2 GRADE 8 FLAT WASHER	8

**ATTENTION!! Any Ex-Guard grille guard, bracket kit, or hardware must be used with corresponding Ex-Guard components. Use of any other product or brand with Ex-Guard products will immediately void the warranty provided by Ex-Guard Industries.**

© THIS DRAWING IS THE PROPERTY OF EX-GUARD INDUSTRIES, INC. COPYRIGHT IS RESERVED BY THEM AND THE DRAWING ISSUED ON CONDITION THAT IT MUST NOT BE USED FOR ANY OTHER PURPOSE OTHER THAN FOR WHICH IT WAS SUPPLIED AND NOT TO BE COPIED, REPRODUCED, RETAINED OR DISCLOSED TO ANY UNAUTHORIZED PERSON EITHER WHOLLY OR IN PART WITHOUT THE CONSENT IN WRITING OF EX-GUARD INDUSTRIES INC.

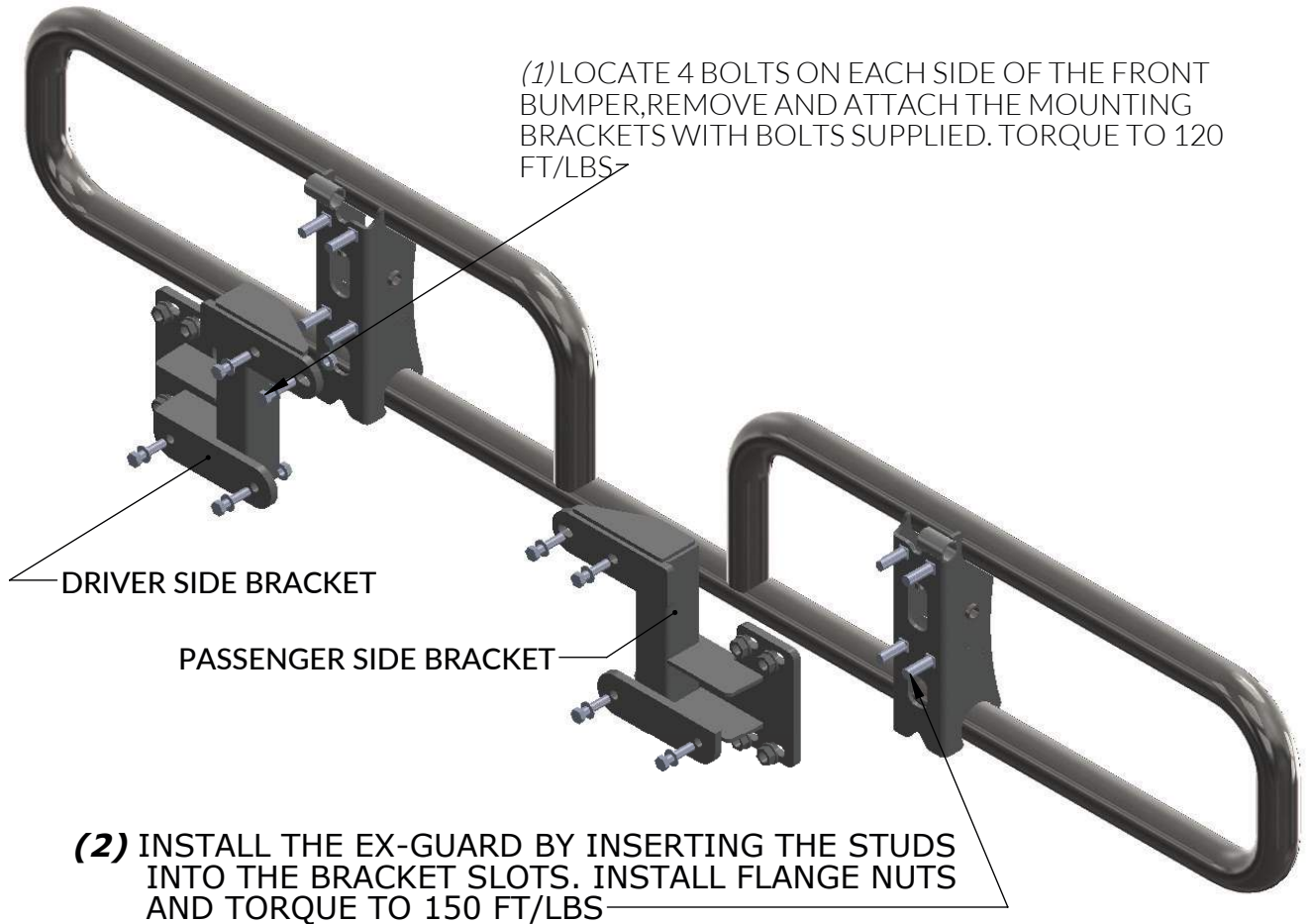




# MOUNTING INSTRUCTIONS - XG-05FXL MT

## FREIGHTLINER CLASSIC (FRONT BRACKET ONLY)

CALL: (888) 902-2777 FOR INSTALLATION QUESTIONS OR EMAIL: [INFO@EX-GUARD.COM](mailto:INFO@EX-GUARD.COM)



### FRONT VIEW



THE BACK SIDE SHOULD LOOK LIKE THIS; SHOWING A SUPPORT BRK ATTACHING THE BUMPER TO THE FRAME.

IF THERE IS NO SUPPORT BRACKET, YOU NEED TO CALL 888-902-2777 FOR A SUPPORT KIT, EITHER OF THE FOLLOWING; XG-05FXLA, OR XG-05FXLB THAT GOES WITH THIS KIT.

**IMPORTANT!!** Any Ex-Guard grille guard, bracket kit, or hardware must be used with corresponding Ex-Guard components. Use of any other product or brand with Ex-Guard products will immediately void the warranty provided by Ex-Guard Industries.

