



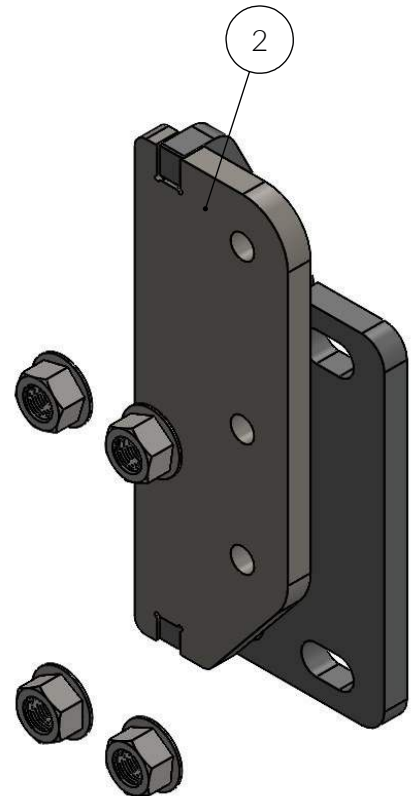
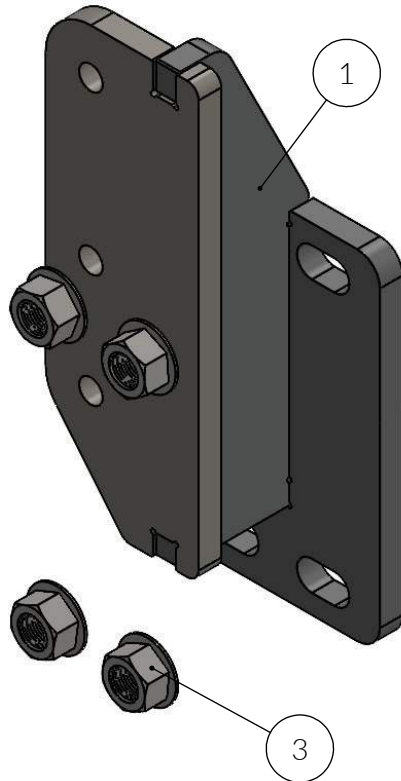
CALL: (888) 902-2777 FOR INSTALLATION QUESTIONS OR EMAIL: INFO@EX-GUARD.COM

PARTS LIST - XG-04MGUB

BOLT KIT - XG-BRK23

COMPATIBLE GUARDS

- Check <https://ex-guard.com/>



ITEM NO.	PART NUMBER	DESCRIPTION	QTY.
1	XG-04MGUB-BR10L	MOUNTING BRACKET (DS)	1
2	XG-04MGUB-BR10R	MOUNTING BRACKET (PS)	1
3	XG-001-62CNWF0Z_HARD	5/8-11 FLANGE AUTO LOCKNUT	8

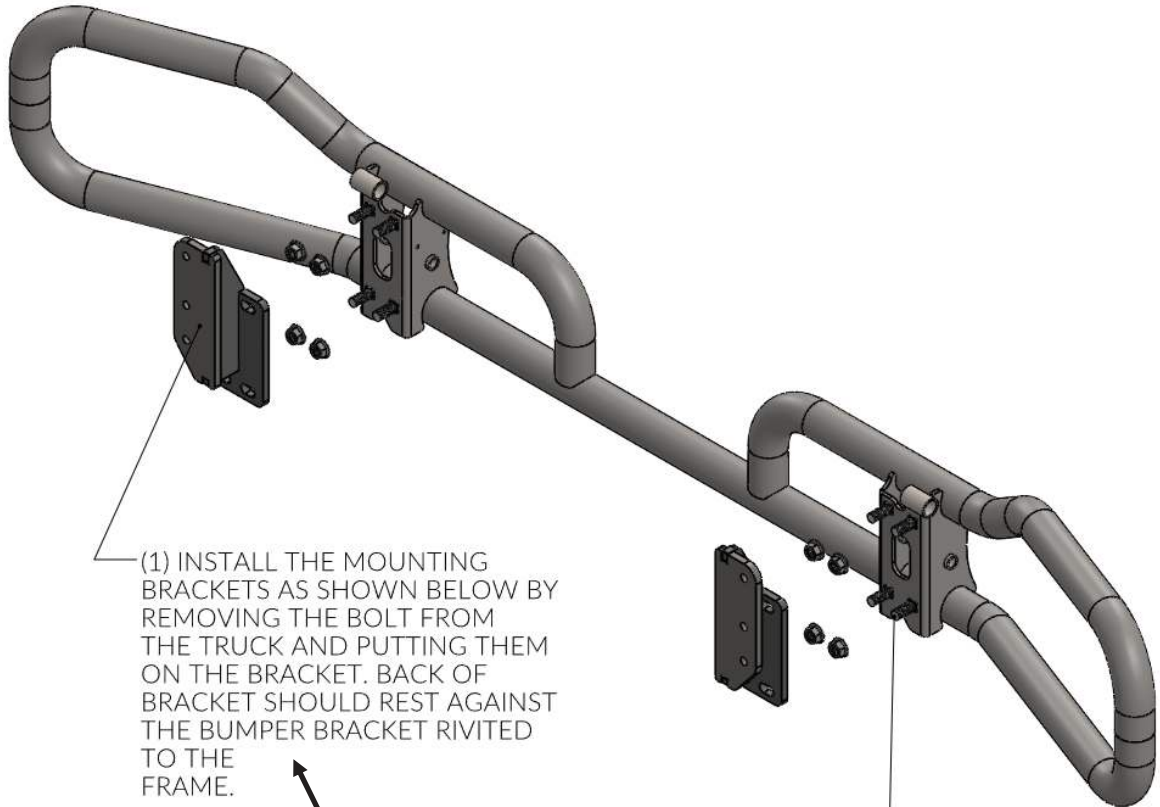
ATTENTION!! Any Ex-Guard grille guard, bracket kit, or hardware must be used with corresponding Ex-Guard components. Use of any other product or brand with Ex-Guard products will immediately void the warranty provided by Ex-Guard Industries.





CALL: (888) 902-2777 FOR INSTALLATION QUESTIONS OR EMAIL: INFO@EX-GUARD.COM

MOUNTING INSTRUCTIONS - XG-04MGUB MT



(1) INSTALL THE MOUNTING BRACKETS AS SHOWN BELOW BY REMOVING THE BOLT FROM THE TRUCK AND PUTTING THEM ON THE BRACKET. BACK OF BRACKET SHOULD REST AGAINST THE BUMPER BRACKET RIVITED TO THE FRAME.

(2) INSTALL EX-GUARD BY: INSERTING STUDS INTO MOUNTING BRACKETS AND TORQUE TO 150 FT/LBS

(1) INSTALL THE MOUNTING BRACKETS AS SHOWN BELOW BY REMOVING THE BOLTS FROM THE TRUCK AND PUTTING THEM THROUGH THE BRACKET. RETORQUE TO FACTORY SETTINGS

