



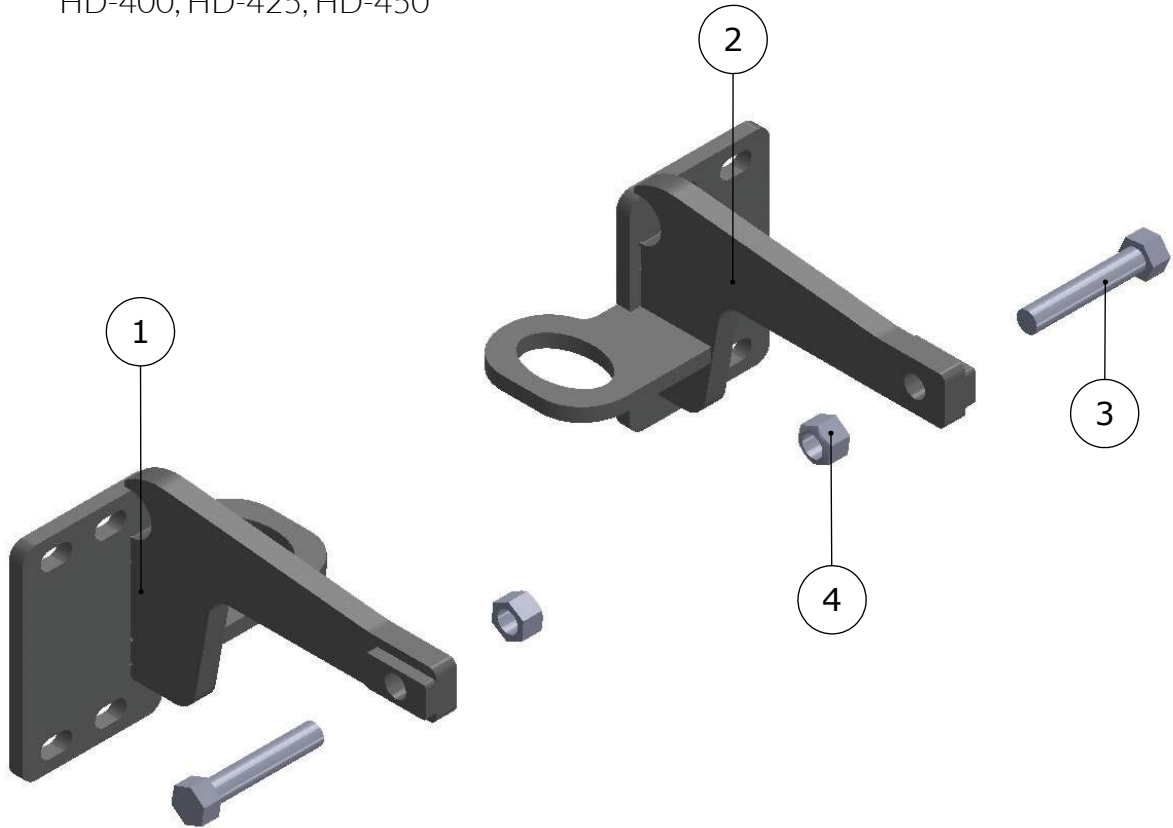
CALL: (888) 902-2777 FOR INSTALLATION QUESTIONS OR EMAIL: INFO@EX-GUARD.COM

PARTS LIST - XG-04INT8E

BOLT KIT - XG-BRK4

COMPATIBLE GUARDS

- XG-B100, XG-125, XG-150
- LT-325, LT-350
- HD-400, HD-425, HD-450



ITEM NO.	PART NUMBER	DESCRIPTION	QTY.
1	XG-04INT8E-BR10DR	MOUNTING PLATE (LHS)	1
2	XG-04INT8E-BR10PS	MOUNTING BRACKET (RHS)	1
3	XG-001-75C400HCS8Y	3/4-10X4" Hex Cap GR8 YELLOW	2
4	XG-001-75CNUC0Z	3/4-10 AUTOMATION L/N GR.C ZINC	2

ATTENTION!! Any Ex-Guard grille guard, bracket kit, or hardware must be used with corresponding Ex-Guard components. Use of any other product or brand with Ex-Guard products will immediately void the warranty provided by Ex-Guard Industries.

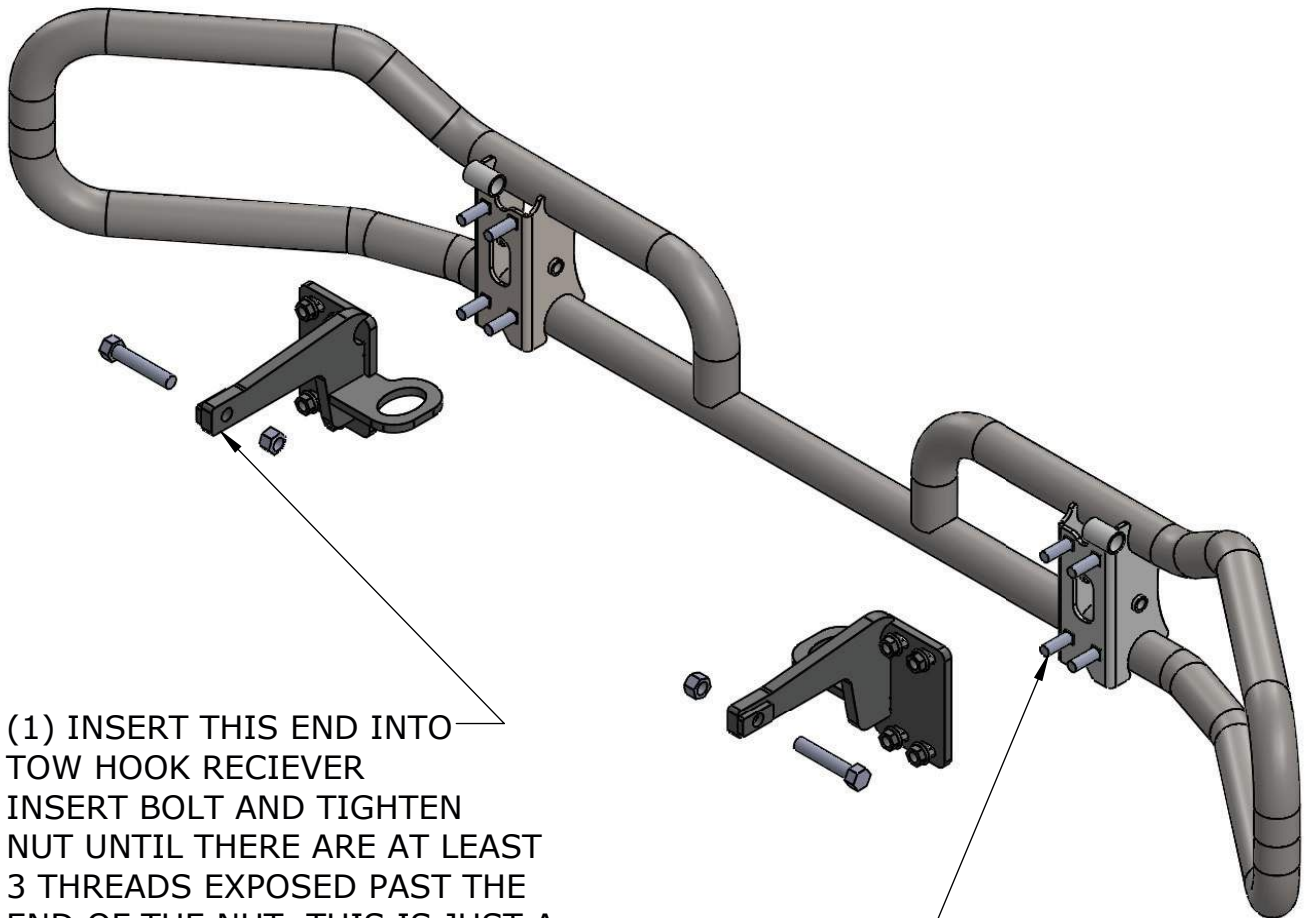
© THIS DRAWING IS THE PROPERTY OF EX-GUARD INDUSTRIES, INC. COPYRIGHT IS RESERVED BY THEM AND THE DRAWING ISSUED ON CONDITION THAT IT MUST NOT BE USED FOR ANY OTHER PURPOSE OTHER THAN FOR WHICH IT WAS SUPPLIED AND NOT TO BE COPIED, REPRODUCED, RETAINED OR DISCLOSED TO ANY UNAUTHORIZED PERSON EITHER WHOLLY OR IN PART WITHOUT THE CONSENT IN WRITING OF EX-GUARD INDUSTRIES INC.



MOUNTING INSTRUCTIONS - XG-04INT8E MT

INTERNATIONAL 8600, TRANSTAR EXTENDED FRAME

CALL: (888) 902-2777 FOR INSTALLATION QUESTIONS OR EMAIL: INFO@EX-GUARD.COM



(1) INSERT THIS END INTO TOW HOOK RECIEVER
INSERT BOLT AND TIGHTEN NUT UNTIL THERE ARE AT LEAST 3 THREADS EXPOSED PAST THE END OF THE NUT. THIS IS JUST A RETAINER BOLT.

(2) INSTALL THE EX-GUARD BY INSERTING THE 5/8" STUDS INTO THE BRACKET SLOTS, INSTALL FLANGE NUTS, TORQUE TO 150/LBS.



IMPORTANT!! Any Ex-Guard grille guard, bracket kit, or hardware must be used with corresponding Ex-Guard components. Use of any other product or brand with Ex-Guard products will immediately void the warranty provided by Ex-Guard Industries.