



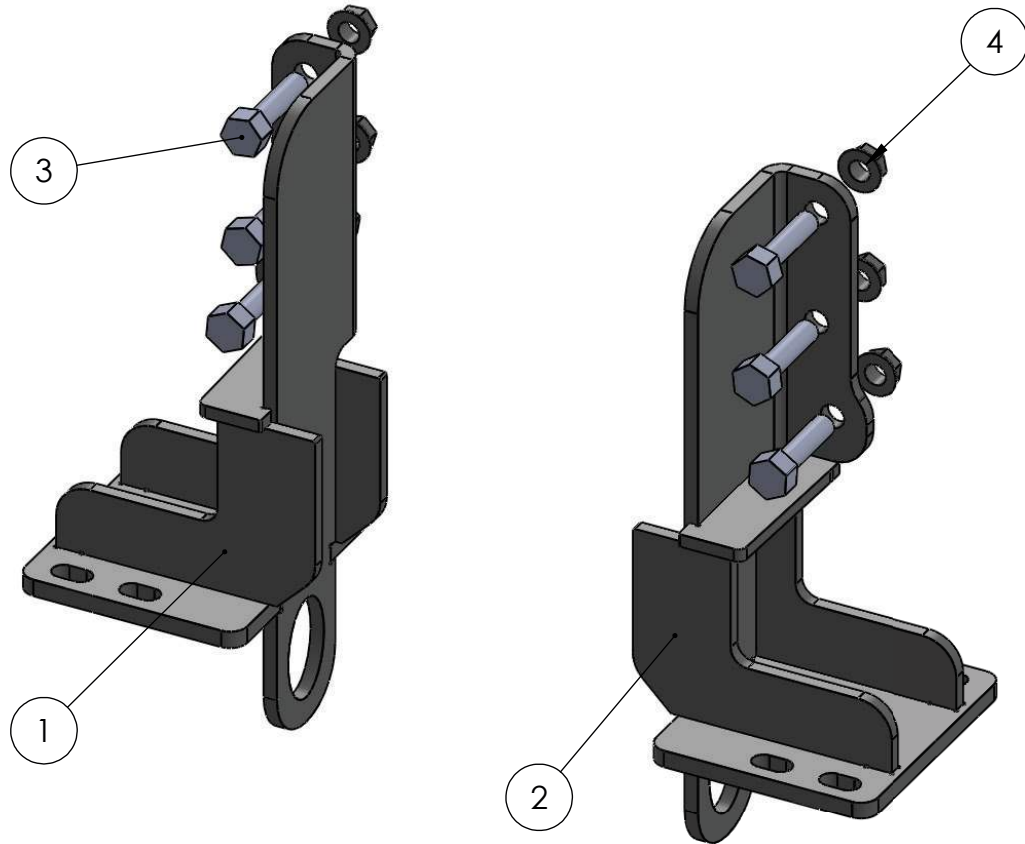
CALL: (888) 902-2777 FOR INSTALLATION QUESTIONS OR EMAIL: [INFO@EX-GUARD.COM](mailto:INFO@EX-GUARD.COM)

# PARTS LIST - XG-04FCOL

BOLT KIT - XG-BRK3

COMPATIBLE GUARDS

- XG-B100, XG-125, XG-150, XG-195
- LT-325, LT-350
- HD-400, HD-425, HD-450, HD-495



ITEM NO.	PART NUMBER	DESCRIPTION	QTY.
1	XG-04FCOL-BR10DR	MOUNTING BRACKET (LHS)	1
2	XG-04FCOL-BR10PS	MOUNTING BRACKET (RHS)	1
3	XG-001-62C250HCS8Y	5/8-11X2 1/2" HEX CAP GR8 Z&Y	6
4	XG-001-62CNWF0Z_HARD	5/8-11 Serr FlangeLn Hard ZINC	6

**ATTENTION!! Any Ex-Guard grille guard, bracket kit, or hardware must be used with corresponding Ex-Guard components. Use of any other product or brand with Ex-Guard products will immediately void the warranty provided by Ex-Guard Industries.**

© THIS DRAWING IS THE PROPERTY OF EX-GUARD INDUSTRIES, INC. COPYRIGHT IS RESERVED BY THEM AND THE DRAWING ISSUED ON CONDITION THAT IT MUST NOT BE USED FOR ANY OTHER PURPOSE OTHER THAN FOR WHICH IT WAS SUPPLIED AND NOT TO BE COPIED, REPRODUCED, RETAINED OR DISCLOSED TO ANY UNAUTHORIZED PERSON EITHER WHOLLY OR IN PART WITHOUT THE CONSENT IN WRITING OF EX-GUARD INDUSTRIES INC.

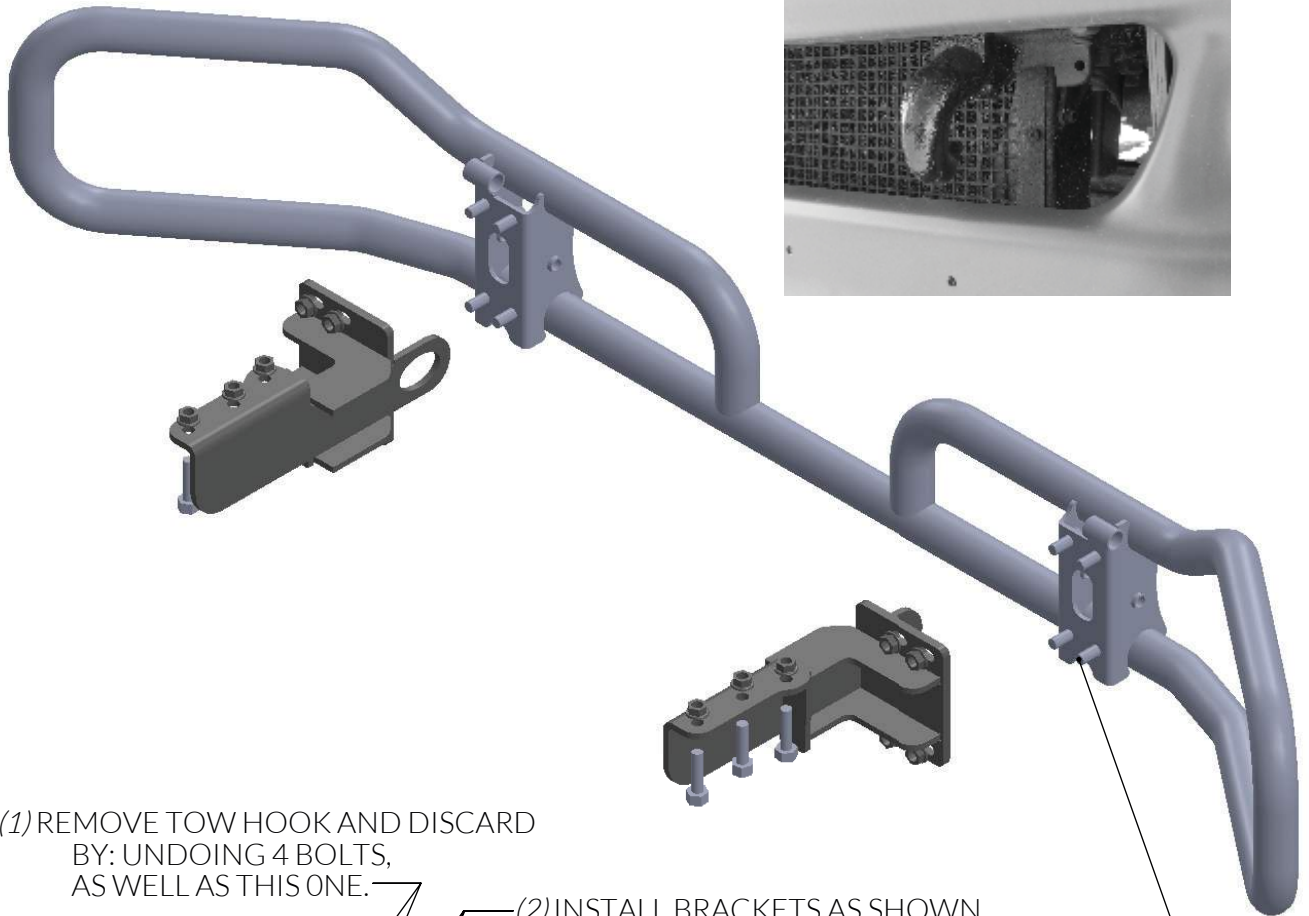
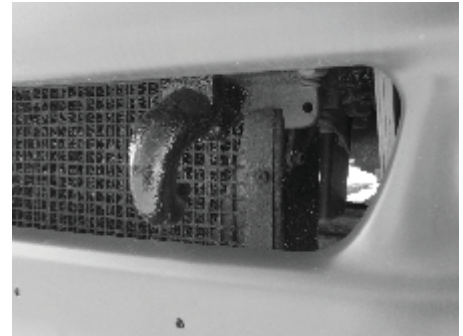


# MOUNTING INSTRUCTIONS - XG-04FCOL MT

FREIGHTLINER COLOUMBIA '04 - '07

CALL: (888) 902-2777 FOR INSTALLATION QUESTIONS OR EMAIL: [INFO@EX-GUARD.COM](mailto:INFO@EX-GUARD.COM)

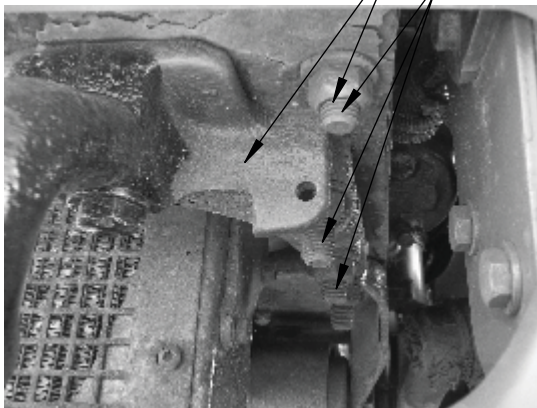
FRONT VIEW



(1) REMOVE TOW HOOK AND DISCARD BY: UNDOING 4 BOLTS, AS WELL AS THIS ONE.

(2) INSTALL BRACKETS AS SHOWN USING THESE 3 BOLT HOLES AND THE BOLTS PROVIDED. TORQUE TO 150 FT/LBS.

(3) INSTALL EX-GUARD BY: INSERTING STUDS INTO MOUNTING BRACKETS AND TORQUE TO 150 FT/LBS.



**IMPORTANT!! Any Ex-Guard grille guard, bracket kit, or hardware must be used with corresponding Ex-Guard components. Use of any other product or brand with Ex-Guard products will immediately void the warranty provided by Ex-Guard Industries.**

