



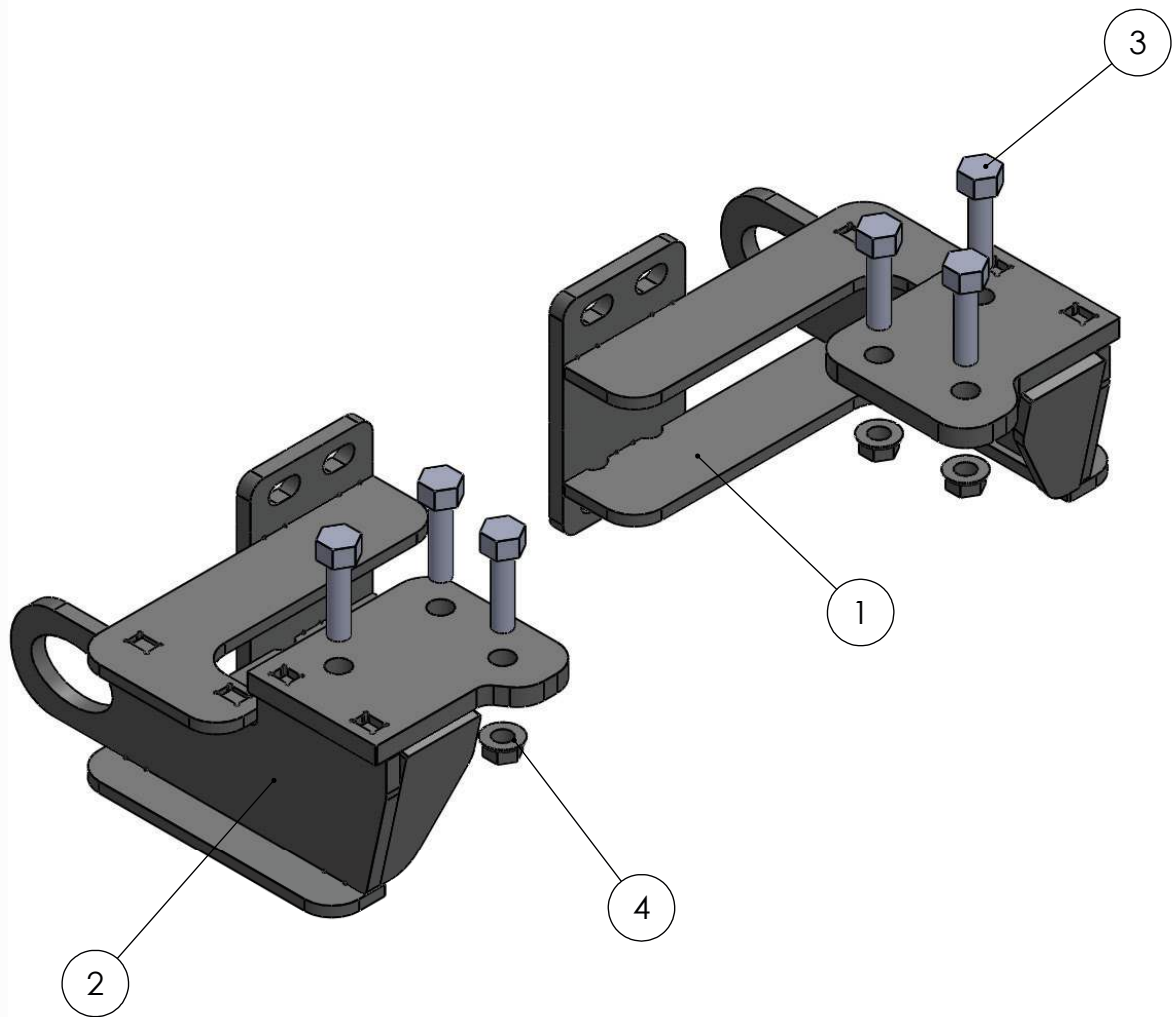
CALL: (888) 902-2777 FOR INSTALLATION QUESTIONS OR EMAIL: INFO@EX-GUARD.COM

PARTS LIST - XG-04FCEN

BOLT KIT - XG-BRK3

COMPATIBLE GUARDS

- XG-B100, XG-125, XG-150, XG-195
- LT-325, LT-350
- HD-400, HD-425, HD-450, HD-495



ITEM NO.	PART NUMBER	DESCRIPTION	QTY.
1	XG-04FCEN-BR10DR	MOUNTING BRACKET LHS	1
2	XG-04FCEN-BR10PS	MOUNTING BRACKET RHS	1
3	XG-001-62C250HCS8Y	5/8-11X2 1/2" HEX CAP GR8 Z&Y	6
4	XG-001-62CNWF0Z_HARD	5/8-11 Serr FlangeLn Hard ZINC	6

ATTENTION!! Any Ex-Guard grille guard, bracket kit, or hardware must be used with corresponding Ex-Guard components. Use of any other product or brand with Ex-Guard products will immediately void the warranty provided by Ex-Guard Industries.

©THIS DRAWING IS THE PROPERTY OF EX-GUARD INDUSTRIES, INC. COPYRIGHT IS RESERVED BY THEM AND THE DRAWING ISSUED ON CONDITION THAT IT MUST NOT BE USED FOR ANY OTHER PURPOSE OTHER THAN FOR WHICH IT WAS SUPPLIED AND NOT TO BE COPIED, REPRODUCED, RETAINED OR DISCLOSED TO ANY UNAUTHORIZED PERSON EITHER WHOLLY OR IN PART WITHOUT THE CONSENT IN WRITING OF EX-GUARD INDUSTRIES INC.

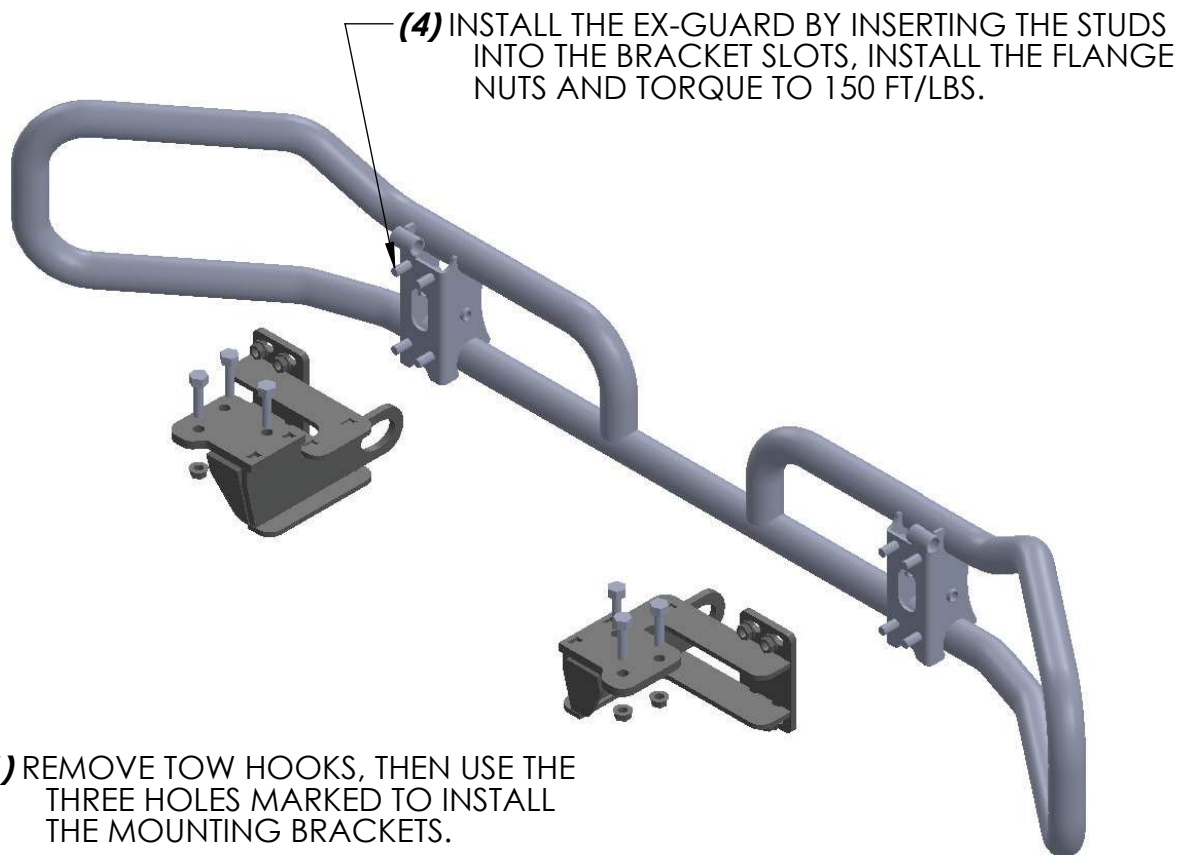




MOUNTING INSTRUCTIONS - XG-04FCEN MT

BRANDITLINER CENTURY CLASS '04-'07

CALL: (888) 902-2777 FOR INSTALLATION QUESTIONS OR EMAIL: INFO@EX-GUARD.COM

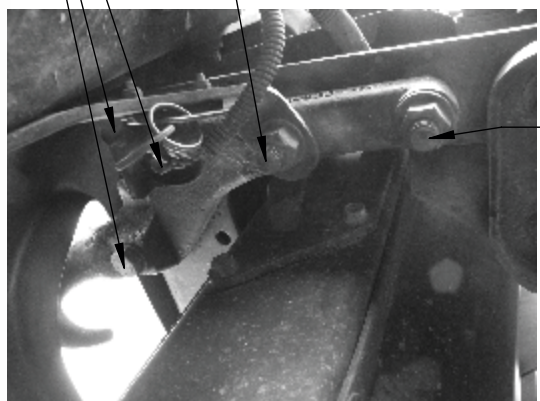


(4) INSTALL THE EX-GUARD BY INSERTING THE STUDS INTO THE BRACKET SLOTS, INSTALL THE FLANGE NUTS AND TORQUE TO 150 FT/LBS.

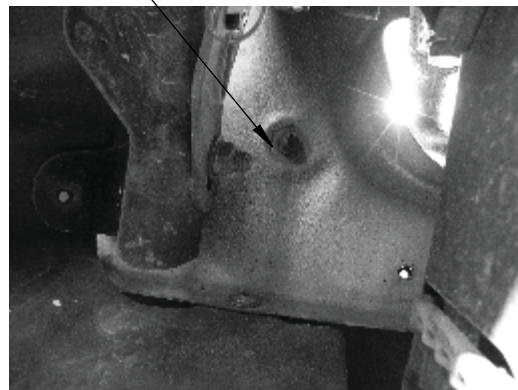
(1) REMOVE TOW HOOKS, THEN USE THE THREE HOLES MARKED TO INSTALL THE MOUNTING BRACKETS.

(3) ONCE THE BRACKET IS INSTALLED USE ONE OF THE FACTORY NUTS REMOVED, AS A SPACER BETWEEN THE FRAME AND THE SUPPORT BRACKET THEN USE ANOTHER NUT TO TIGHTEN DOWN AGAINST THE BRACKET.

(2) LOOSEN TO ADJUST THEN TIGHTEN AFTER STEP (3)



DISCARD



IMPORTANT!! Any Ex-Guard grille guard, bracket kit, or hardware must be used with corresponding Ex-Guard components. Use of any other product or brand with Ex-Guard products will immediately void the warranty provided by Ex-Guard Industries.