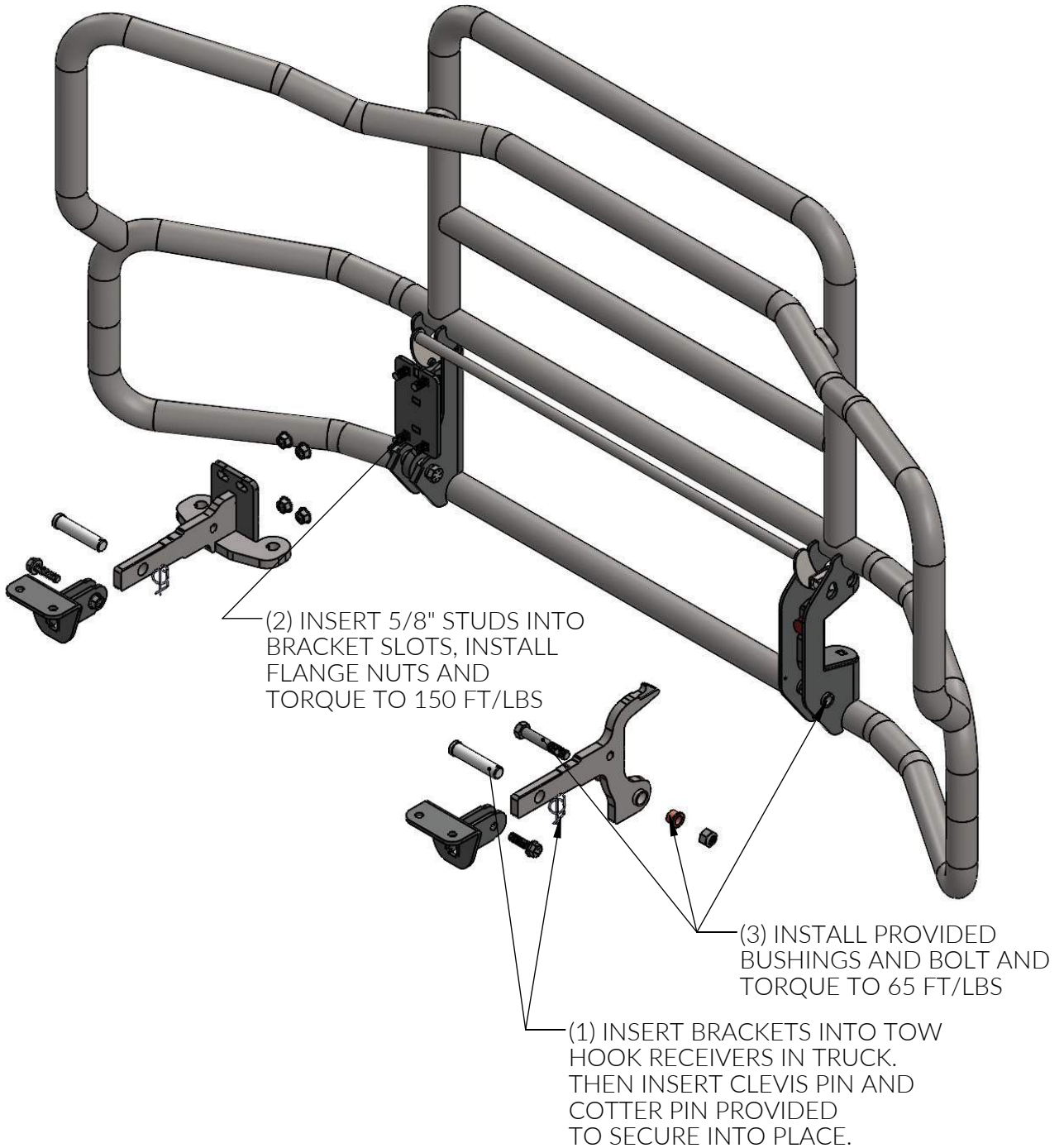




MOUNTING INSTRUCTIONS - HD-24KT680-OS MT

CALL: (888) 902-2777 FOR INSTALLATION QUESTIONS OR EMAIL: INFO@EX-GUARD.COM



IMPORTANT!! Any Ex-Guard grille guard, bracket kit, or hardware must be used with corresponding Ex-Guard components. Use of any other product or brand with Ex-Guard products will immediately void the warranty provided by Ex-Guard Industries.

© THIS DRAWING IS THE PROPERTY OF EX-GUARD INDUSTRIES, INC. COPYRIGHT IS RESERVED BY THEM AND THE DRAWING ISSUED ON CONDITION THAT IT MUST NOT BE USED FOR ANY OTHER PURPOSE OTHER THAN FOR WHICH IT WAS SUPPLIED AND NOT TO BE COPIED, REPRODUCED, RETAINED OR DISCLOSED TO ANY UNAUTHORIZED PERSON EITHER WHOLLY OR IN PART WITHOUT THE CONSENT IN WRITING OF EX-GUARD INDUSTRIES INC.



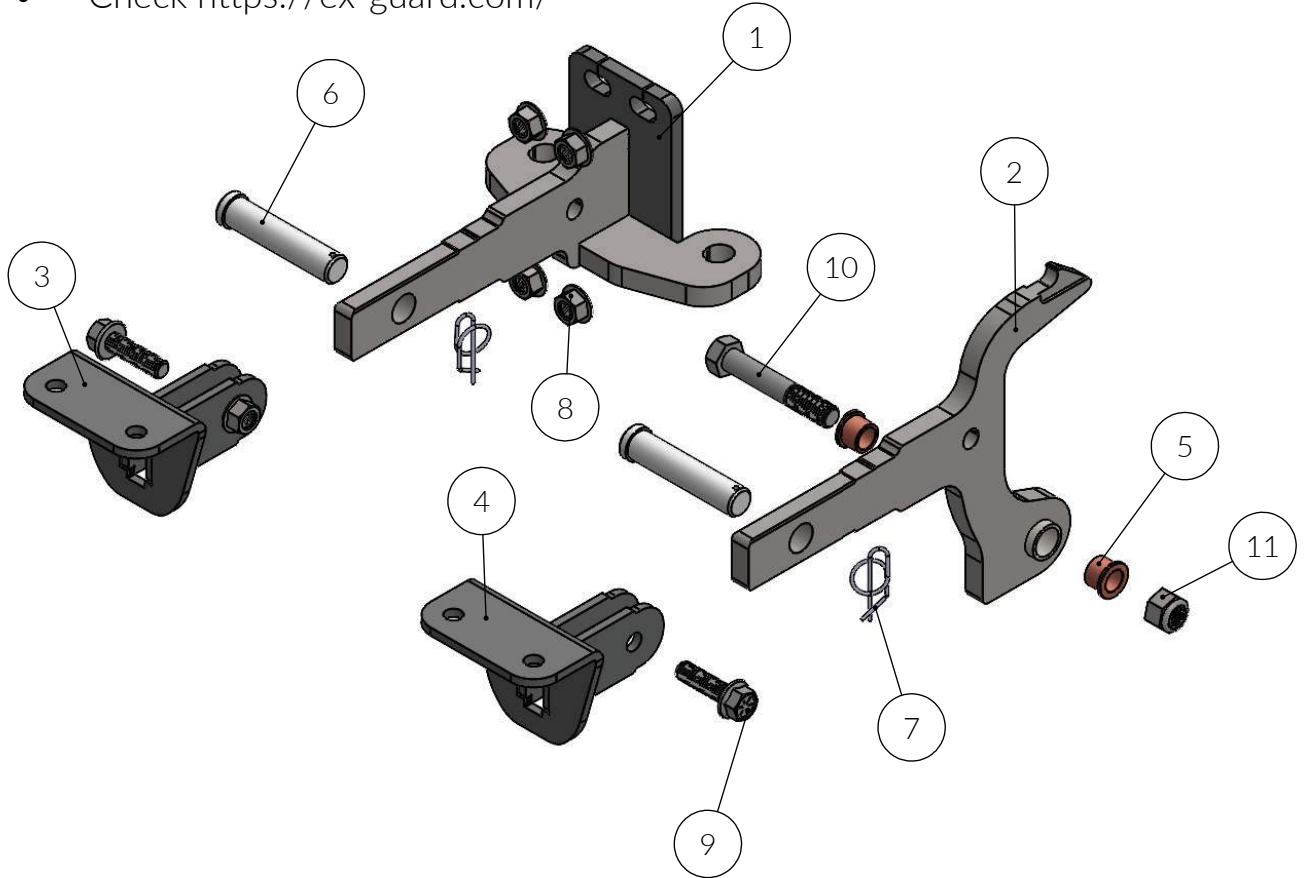
CALL: (888) 902-2777 FOR INSTALLATION QUESTIONS OR EMAIL: INFO@EX-GUARD.COM

PARTS LIST - HD-24KT680-OS

BOLT KIT - XG-22KP-BK & XG-BRK23

COMPATIBLE GUARDS

- Check <https://ex-guard.com/>



ITEM NO.	PART NUMBER	DESCRIPTION	QTY.
1	HD-24KT680-OS-BR10DS	MOUNTING BRACKET DS	1
2	HD-24KT680-OS-BR10PS	MOUTNING BRACKET PS	1
3	HD-24KT680-OS-BR07SAA	TOP SUPPORT BRACE	1
4	HD-24KT680-OS-BR07SAB	TOP SUPPORT BRACE	1
5	HD-B413	HD SERIES HINGE BUSHING	2
6	XG-001-1X450ZYCP	1 X 4.50 CLEVIS PIN	2
7	XG-001-01X1RCP	LOCKING 1" RING COTTER PIN	2
8	XG-001-62CNWF0Z_HARD	5/8-11 FLANGE AUTO LOCKNUT	4
9	XG-001-62C225HCS8Y	5/8-11 X 2.25 FLANGE HEX HEAD BOLT	2
10	XG-001-75C450HCSS	3/4-10X4 1/2" STAINLESS HEX HEAD BOLT	1
11	XG-001-75CNNEOZ	3/4-10 Nylon Insert L/N ZINC	1

ATTENTION!! Any Ex-Guard grille guard, bracket kit, or hardware must be used with corresponding Ex-Guard components. Use of any other product or brand with Ex-Guard products will immediately void the warranty provided by Ex-Guard Industries.



HD-24KT680-OS Installation Instructions.

Applicable Trucks;

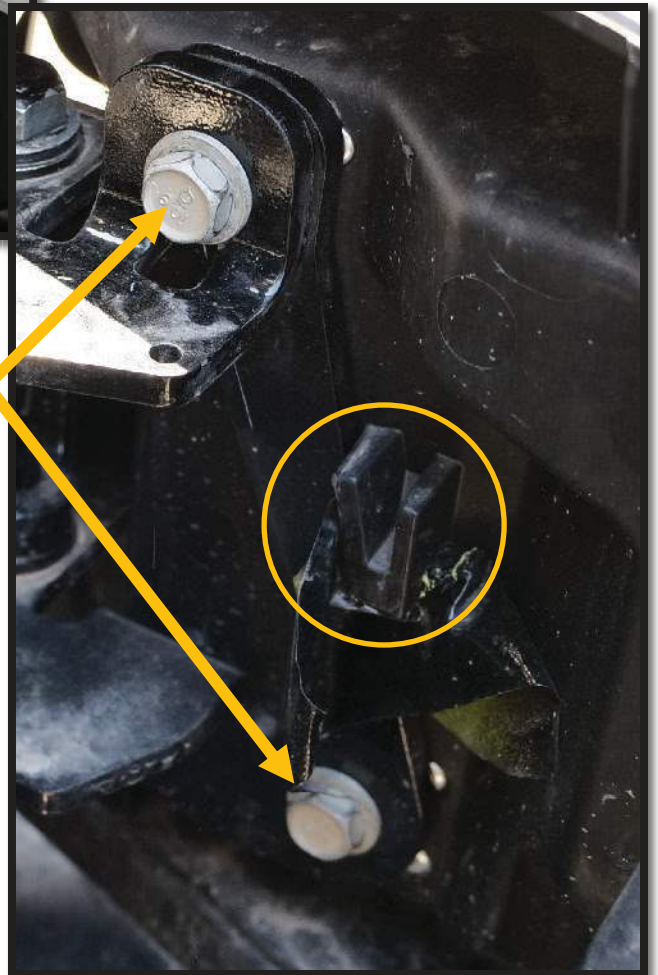
Kenworth New Gen T-680 Plastic, or Metal Bumper

1. Locate receiver opening, remove cover if necessary

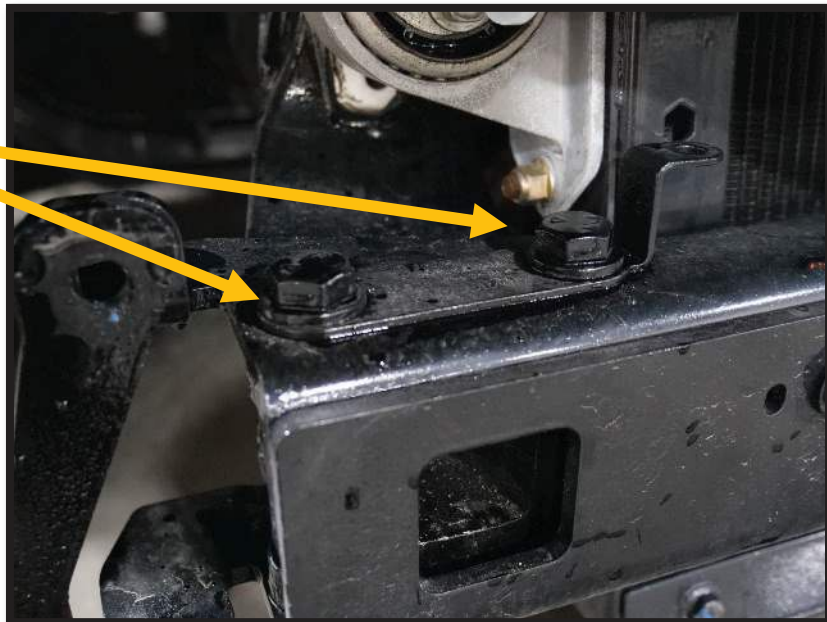


2. Open hood, locate 2 bolts per side, and remove them, keep for reinstall.

Take notice of hook, that supports bumper, during install.



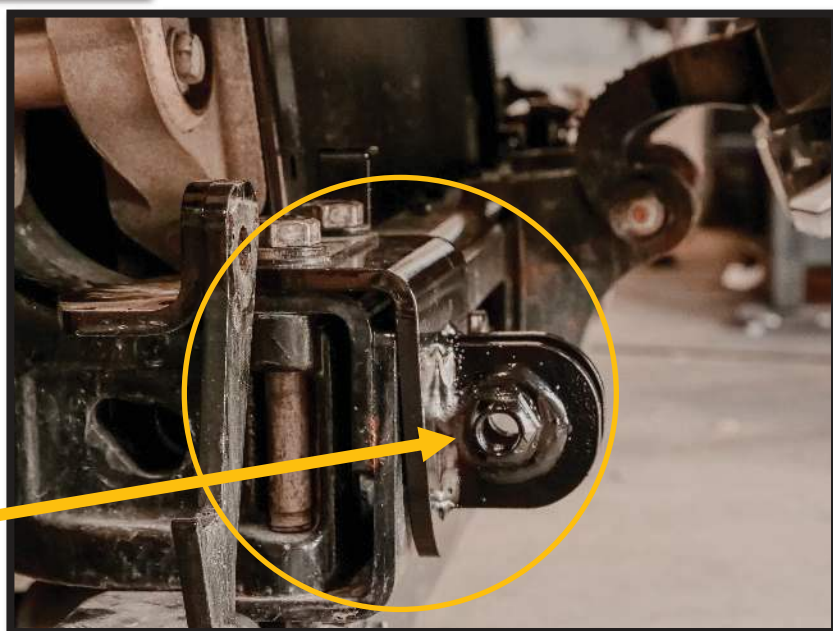
3. Locate these 2 bolts and remove them. Along with the wire Support bracket



You may have to use a prybar as shown to take any pressure off them to remove them.

4. Install the top support brace, by placing on the frame and reinserting the bolts and wire support bracket, torque to 225 ft/lbs

Nut points outward



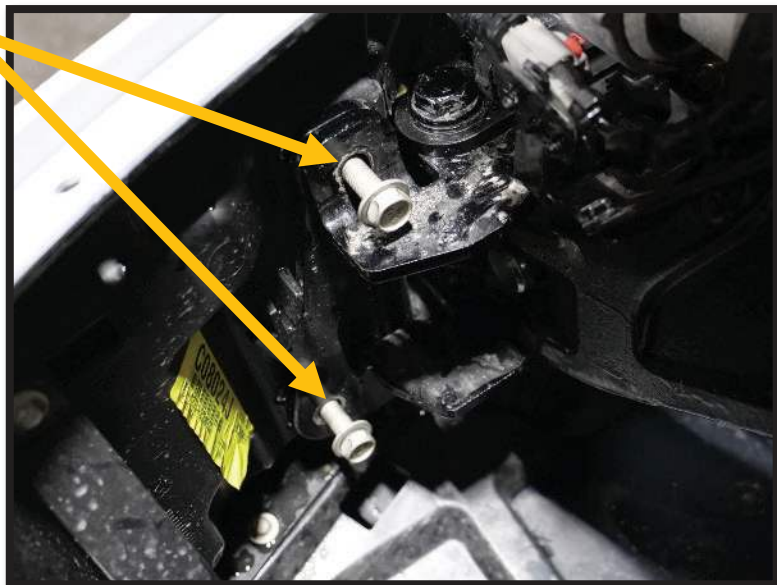
5. Repeat on the Drivers side. Use a pry bar to flex the bracket supporting the wire harness, then locate these 2 bolts and remove them.



6. Install the top support brace, by placing on the frame and reinserting the bolts and wire support bracket, torque to 225 ft/lbs



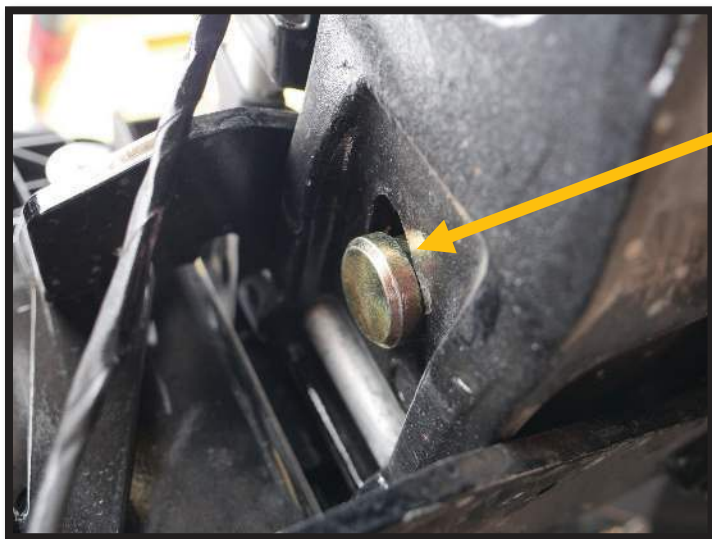
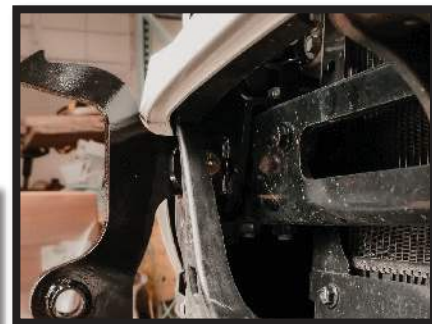
7. Put bumper back in place and torque these 2 bolts per side to factory spec



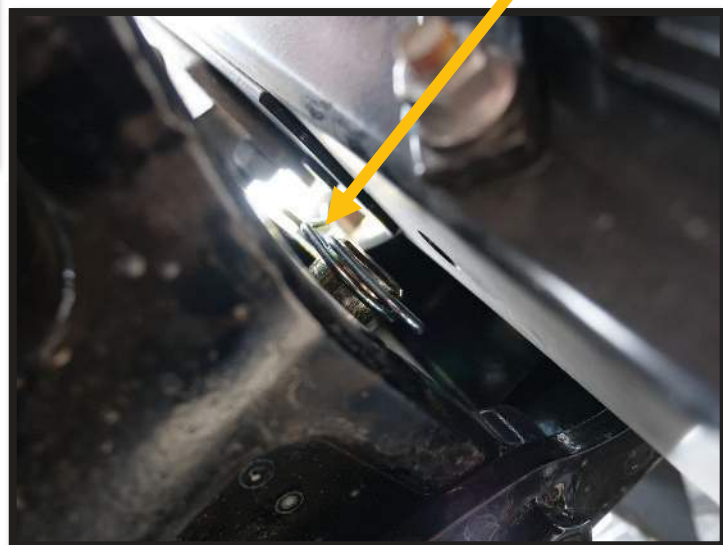
8. Remove these 4 bolts and remove black bumper cover



9. Install the Ex-Guard brackets through the bumper and into the receiver as shown.



10. Insert the retaining clevis pin through the frame and bracket as shown. And insert the locking ring cotter pin to secure it.



1.

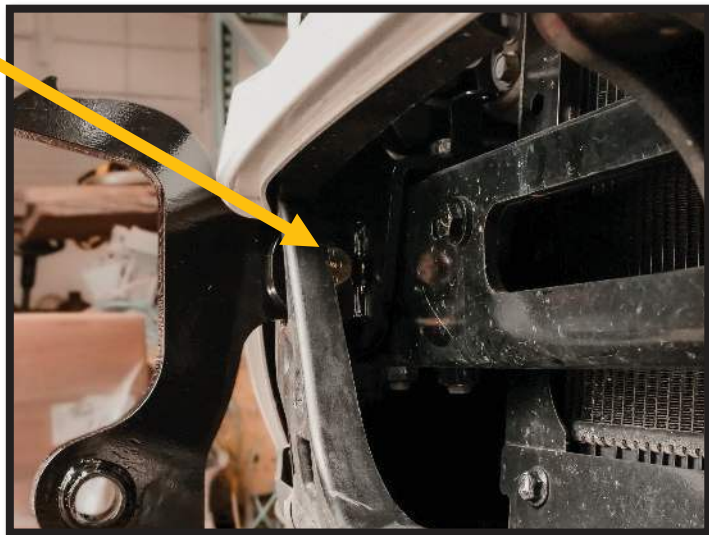


2.



3.

11. Install provided bolt on drivers and passenger side and torque to 225 ft/lbs.



12. Reattach the black bumper cover



13. Mount the Ex-Guard!

