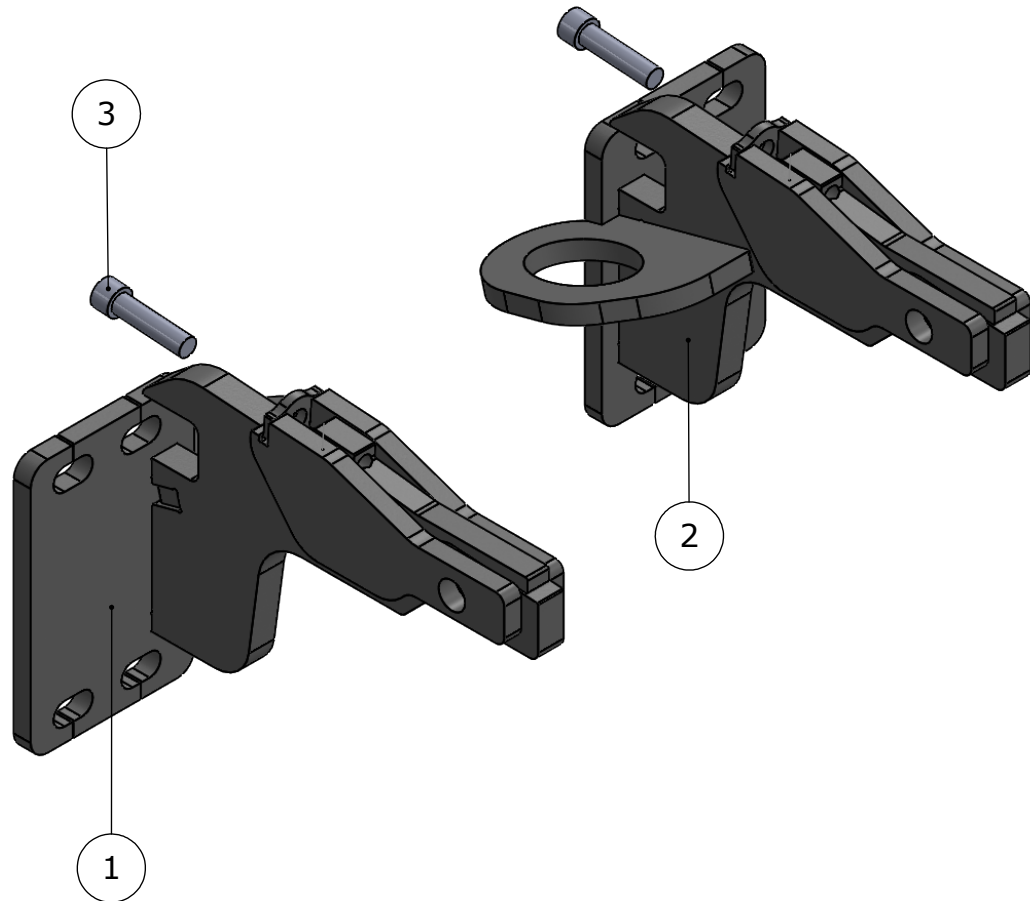


## PARTS LIST - XG-99VNE

### COMPATIBLE GUARDS

- XG-B100, XG-125, XG-150, XG-195
- LT-325, LT-350
- HD-400, HD-425, HD-450, HD-495



ITEM NO.	PART NUMBER	DESCRIPTION	QTY.
1	XG-99VNE-BR10DR	MOUNTING BRACKET (RHS)	1
2	XG-99VNE-BR10PS	MOUNTING BRACKET (RHS)	1
3	XG-001-50C200KCS0Z	1/2-13 X 2.00 SOC CAP SCREW	2

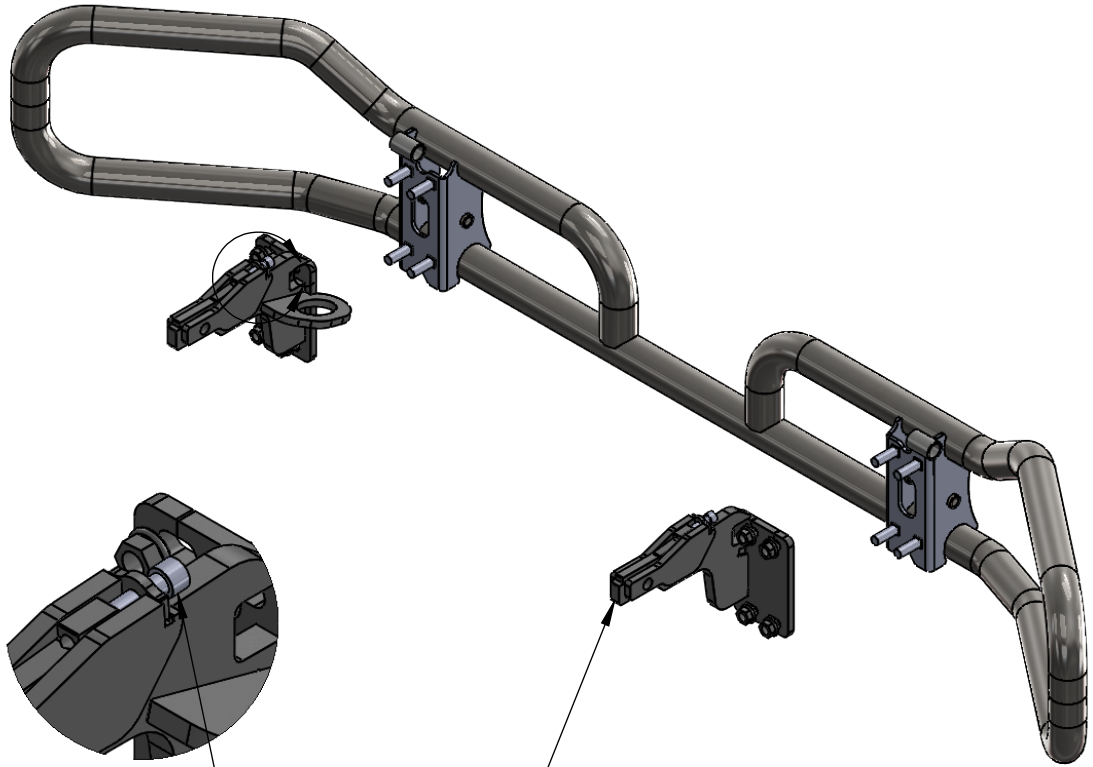
**ATTENTION!! Any Ex-Guard grille guard, bracket kit, or hardware must be used with corresponding Ex-Guard components. Use of any other product or brand with Ex-Guard products will immediately void the warranty provided by Ex-Guard Industries.**

# MOUNTING INSTRUCTIONS - XG-99VNE MT

VOLVO VNL (2004 - 2017)

888.902.2777 / INFO@EX-GUARD.COM

CALL FOR INSTALLATION QUESTIONS



DETAIL C  
SCALE 1 : 4

(1) INSERT THIS END INTO TOW HOOK RECEIVER, INSERT FACTORY RECEIVER PIN THROUGH HOLE TO SECURE.

(2) PULL BRACKET FORWARD, AND TIGHTEN THIS RETAINER BOLT TO COMPLETELY TIGHTEN BRACKET IN RECEIVER. TORQUE TO 75 FT LBS.

(3) INSTALL THE EX-GUARD BY INSERTING THE STUDS INTO THE BRACKET SLOTS, INSTALL THE FLANGE NUTS, TORQUE TO 150 FT LBS.

IMPORTANT!! Any Ex-Guard grille guard, bracket kit, or hardware must be used with corresponding Ex-Guard components. Use of any other product or brand with Ex-Guard products will immediately void the warranty provided by Ex-Guard Industries.