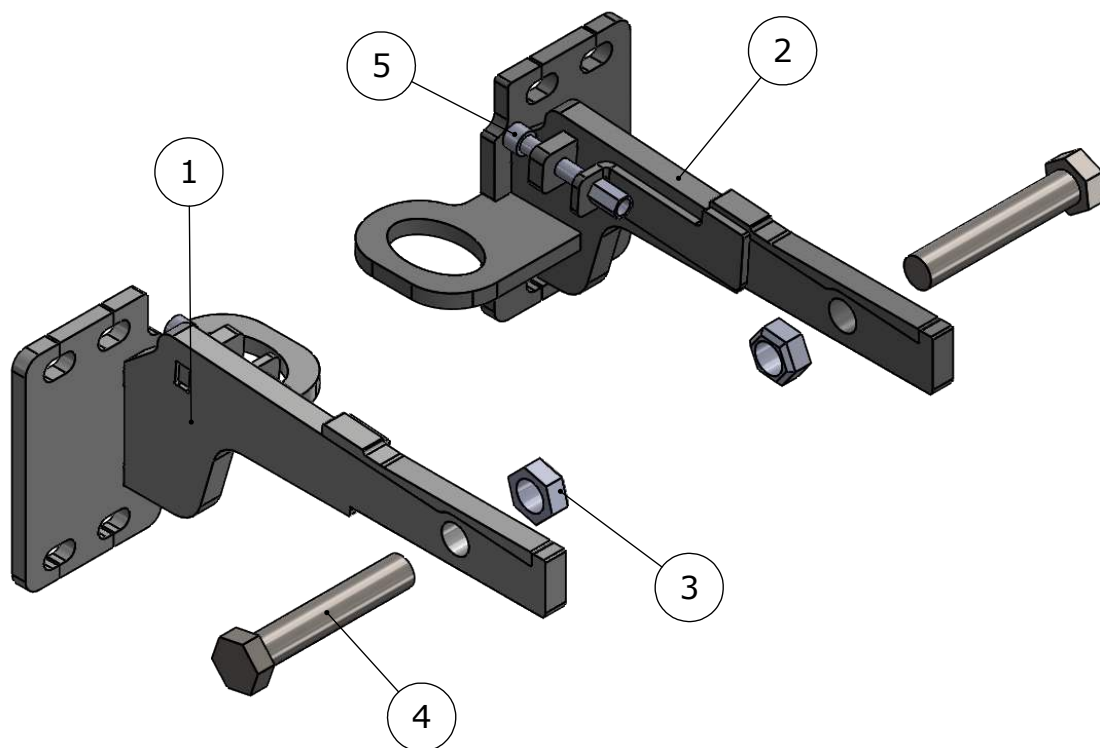


## PARTS LIST - XG-17KP

BOLT KIT: XG-BRK1  
XG-BRK11

### COMPATIBLE GUARDS

- XG-B100, XG-125, XG-150, XG-195
- LT-325, LT-350
- HD-400, HD-425, HD-450, HD-495



ITEM NO.	PART NUMBER	DESCRIPTION	QTY.
1	XG-17KP-BR10DS	MOUNTING BRACKET (LHS)	1
2	XG-17KP-BR10PS	MOUNTING BRACKET (RHS)	1
3	XG-001-100CNUC0Z	1-8 AUTOMATION L/N GR. C ZINC	2
4	XG-001-100C550HCS8Y	1-8x5 1/2" Hex Cap GR8 Z&Y	2
5	XG-001-50C200KCS0Z	1/2-13 X 2.00 SOC CAP SCREW	2

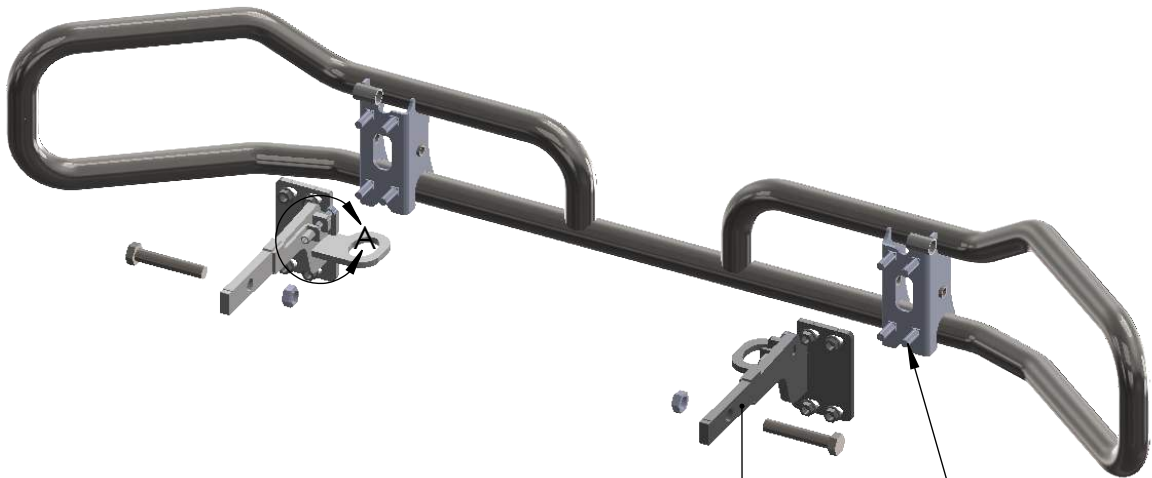
**ATTENTION!! Any Ex-Guard grille guard, bracket kit, or hardware must be used with corresponding Ex-Guard components. Use of any other product or brand with Ex-Guard products will immediately void the warranty provided by Ex-Guard Industries.**

# MOUNTING INSTRUCTIONS - XG-17KP MT INS

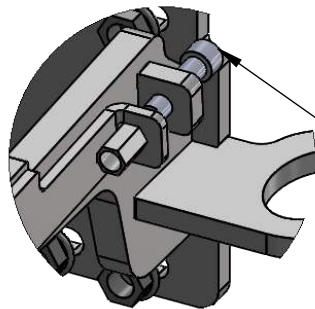
Kenworth T440, T660, T680, T700  
Peterbilt 384, 386, 579, 587

888.902.2777 / INFO@EX-GUARD.COM

CALL FOR INSTALLATION QUESTIONS



(1) INSERT THIS END INTO TOW HOOK RECEIVER, INSERT BOLTS THROUGH HOLE TO SECURE.



DETAIL A  
SCALE 1 : 4

(2) PULL BRACKET FORWARD, AND TIGHTEN THIS RETAINER BOLT TO COMPLETELY TIGHTEN BRACKET IN RECEIVER. TORQUE TO 75 FT LBS.

(3) INSTALL THE EX-GUARD BY INSERTING THE STUDS INTO THE BRACKET SLOTS, INSTALL THE FLANGE NUTS, TORQUE TO 150 FT LBS.

**IMPORTANT!!** Any Ex-Guard grille guard, bracket kit, or hardware must be used with corresponding Ex-Guard components. Use of any other product or brand with Ex-Guard products will immediately void the warranty provided by Ex-Guard Industries.