

PARTS LIST - XG-17IHX

BOLT KIT - XG-BRK4 (2 sets)

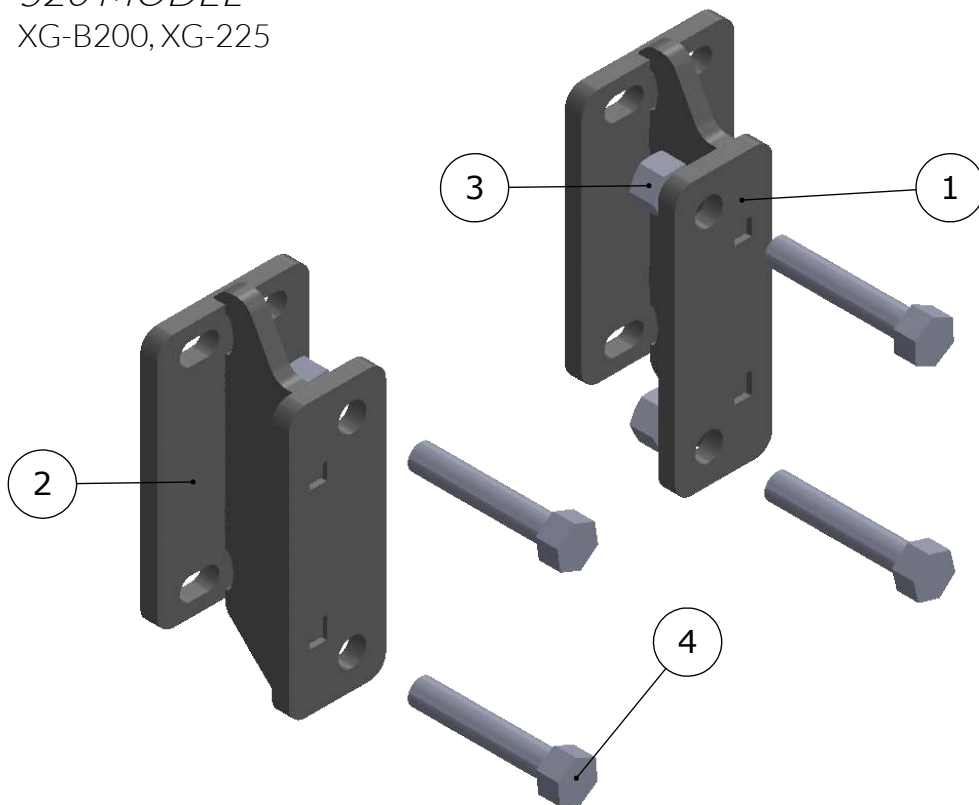
COMPATIBLE GUARDS

615, 620 MODEL

- XG-B100, XG-125, XG-175
- LT-325
- HD-400, HD-425

520 MODEL

- XG-B200, XG-225



ITEM NO.	PART NUMBER	DESCRIPTION	QTY.
1	XG-17IHX-BR10DR	MOUNTING BRACKET (RHS)	1
2	XG-17IHX-BR10PS	MOUNTING BRACKET (LHS)	1
3	XG-001-75CNUC0Z	3/4-10 AUTOMATION L/N GR.C ZINC	4
4	XG-001-75C400HCS8Y	3/4-10X4" Hex Cap GR8 YELLOW	4

ATTENTION!! Any Ex-Guard grille guard, bracket kit, or hardware must be used with corresponding Ex-Guard components. Use of any other product or brand with Ex-Guard products will immediately void the warranty provided by Ex-Guard Industries.

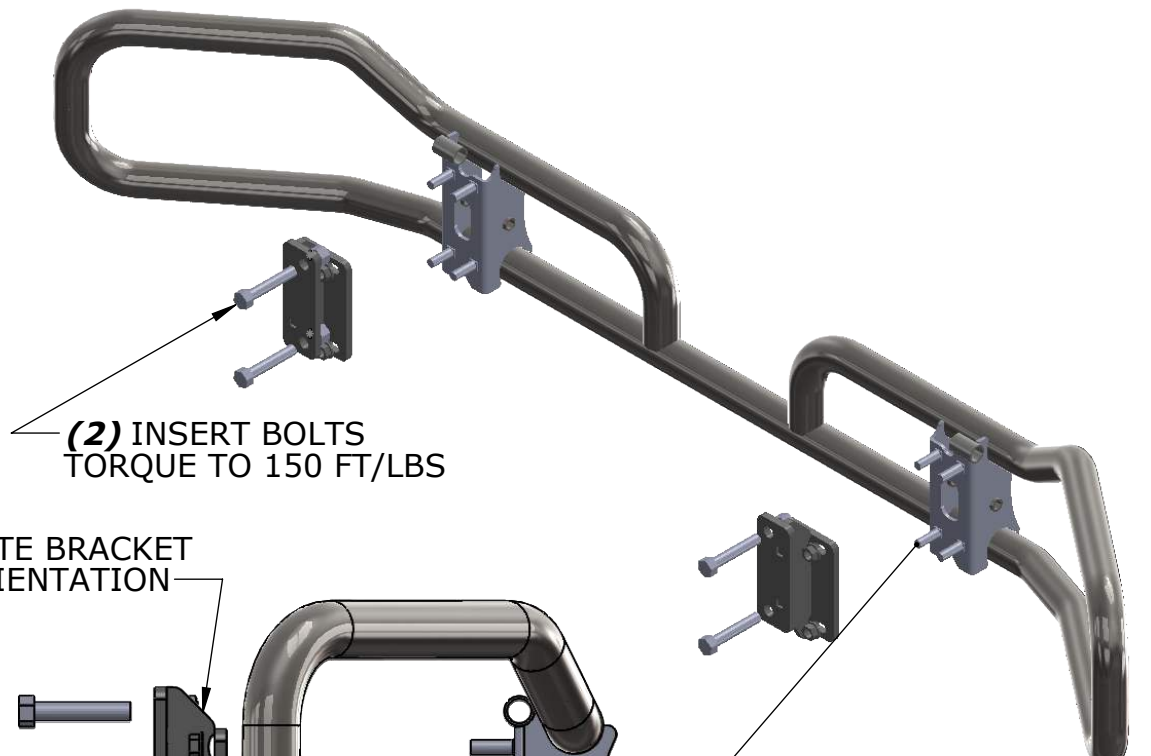
MOUNTING INSTRUCTIONS - XG-17HX MTS INS

INTERNATIONAL HX SERIES MODEL 615, 620 SET BACK AXLE

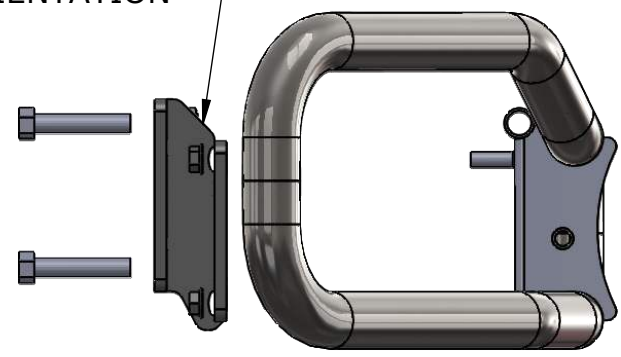
888.902.2777 / INFO@EX-GUARD.COM

CALL FOR INSTALLATION QUESTIONS

EX-GUARD[®]



NOTE BRACKET ORIENTATION



IMPORTANT!! Any Ex-Guard grille guard, bracket kit, or hardware must be used with corresponding Ex-Guard components. Use of any other product or brand with Ex-Guard products will immediately void the warranty provided by Ex-Guard Industries.