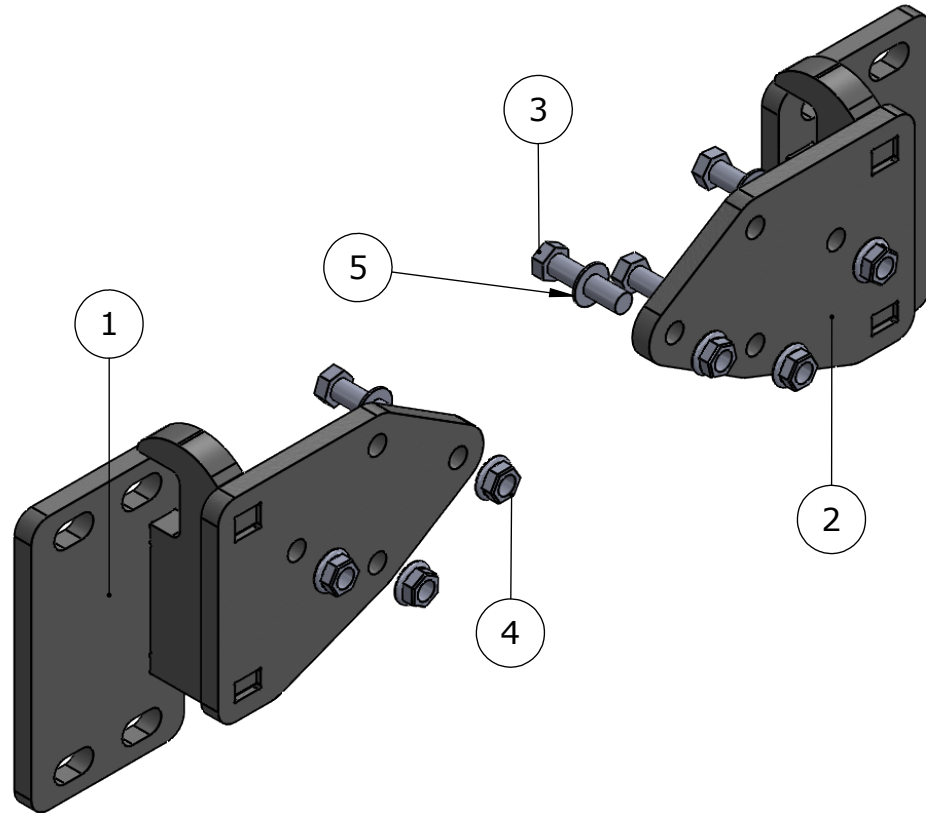


PARTS LIST - XG-16F114SB

BOLT KIT - XG-BRK5 (x2)

COMPATIBLE GUARDS

- XG-B100, XG-125, XG-150, XG-195
- LT-325, LT-350
- HD-400, HD-425, HD-450, HD-495



ITEM NO.	PART NUMBER	DESCRIPTION	QTY.
1	XG-16F114SB-BRO10DR	DR MOUNTING BRACKET	1
2	XG-16F114SB-BRO10PS	PS MOUNTING BRACKET	1
3	XG-001-50C200HCS8Y	1/2-13X2" Hex Cap GR8 Z&Y	6
4	XG-001-50CNWF0Y_HARD	1/2-13 SERRATED FLANGE NUT /Y	6
5	XG-001-50NWMD0Y	1/2 GRADE 8 FLAT WASHER	6

ATTENTION!! Any Ex-Guard grille guard, bracket kit, or hardware must be used with corresponding Ex-Guard components. Use of any other product or brand with Ex-Guard products will immediately void the warranty provided by Ex-Guard Industries.

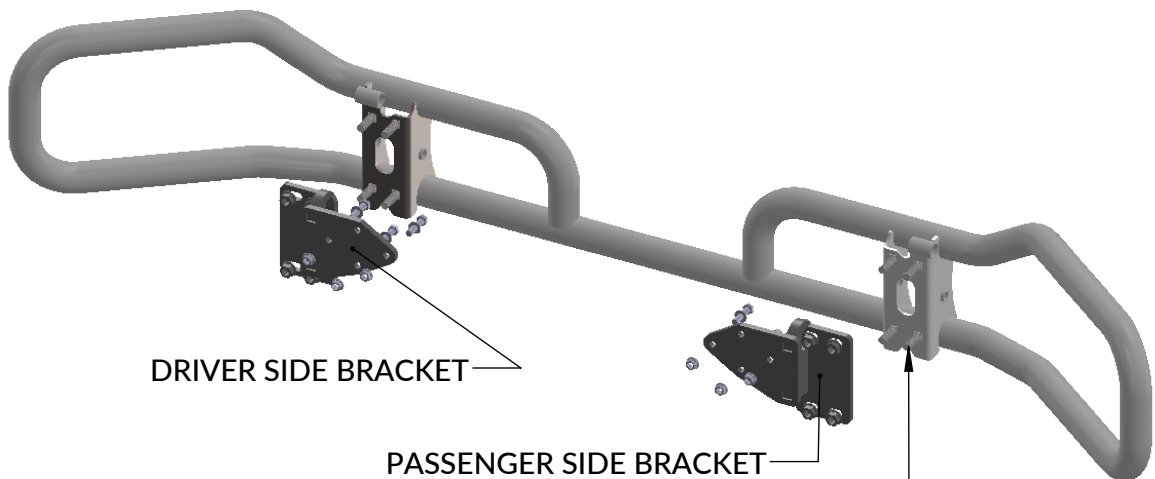
MOUNTING INSTRUCTIONS - XG-16F114SB MT INS

Freightliner 114 Set-Back with no Tow Hook Receivers
Freightliner 122 SD Set-Back with no Tow Hook Receivers

888.902.2777 / INFO@EX-GUARD.COM

CALL FOR INSTALLATION QUESTIONS

(1) LOCATE MOUNTING AREA ON BUMPER, POSITION BRACKET ON THE BUMPER OPENING SO THAT THE THREE HOLES LINE UP WITH THE THREE HOLES ON THE BUMPER, INSERT BOLTS SUPPLIES AND TORQUE TO 150 FT/LBS.



2) INSTALL THE EXGUARD BY INSERTING 5/8" STUDS INTO BRACKET SLOTS, INSTALL FLANGE NUTS AND TORQUE TO 150 FT/LBS.

IMPORTANT!! Any Ex-Guard grille guard, bracket kit, or hardware must be used with corresponding Ex-Guard components. Use of any other product or brand with Ex-Guard products will immediately void the warranty provided by Ex-Guard Industries.