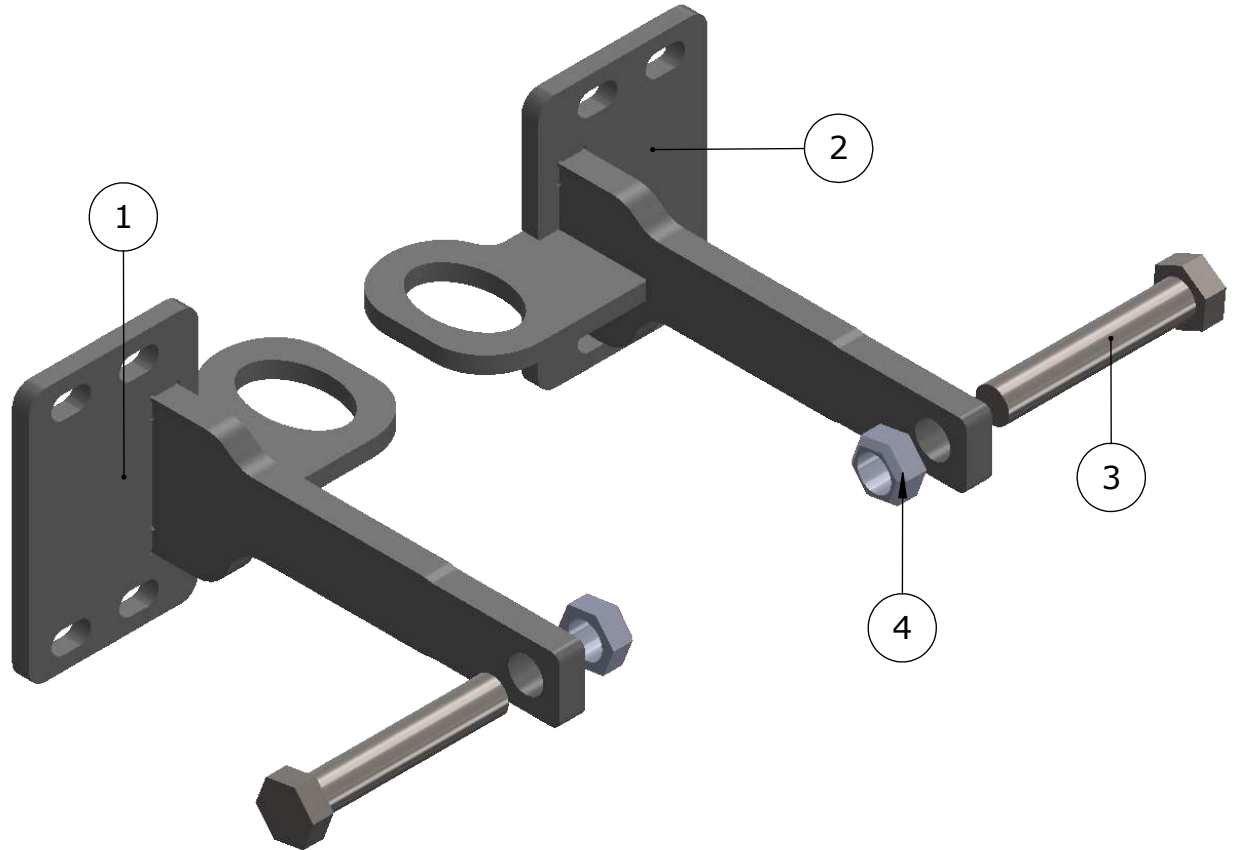


PARTS LIST - XG-13KP

BOLT KIT - XG-BRK1

COMPATIBLE GUARDS

- XG-B100, XG-125, XG-150, XG-195
- LT-325, LT-350
- HD-400, HD-425, HD-450, HD-495



ITEM NO.	PART NUMBER	DESCRIPTION	QTY.
1	XG-13KP-BR10DR	MOUNTING BRACKET (RHS)	1
2	XG-13KP-BR10PS	MOUNTING BRACKET (LHS)	1
3	XG-001-100C550HCS8Y	1-8x5 1/2" Hex Cap GR8 Z&Y	2
4	XG-001-100CNUC0Z	1-8 AUTOMATION L/N GR. C ZINC	2

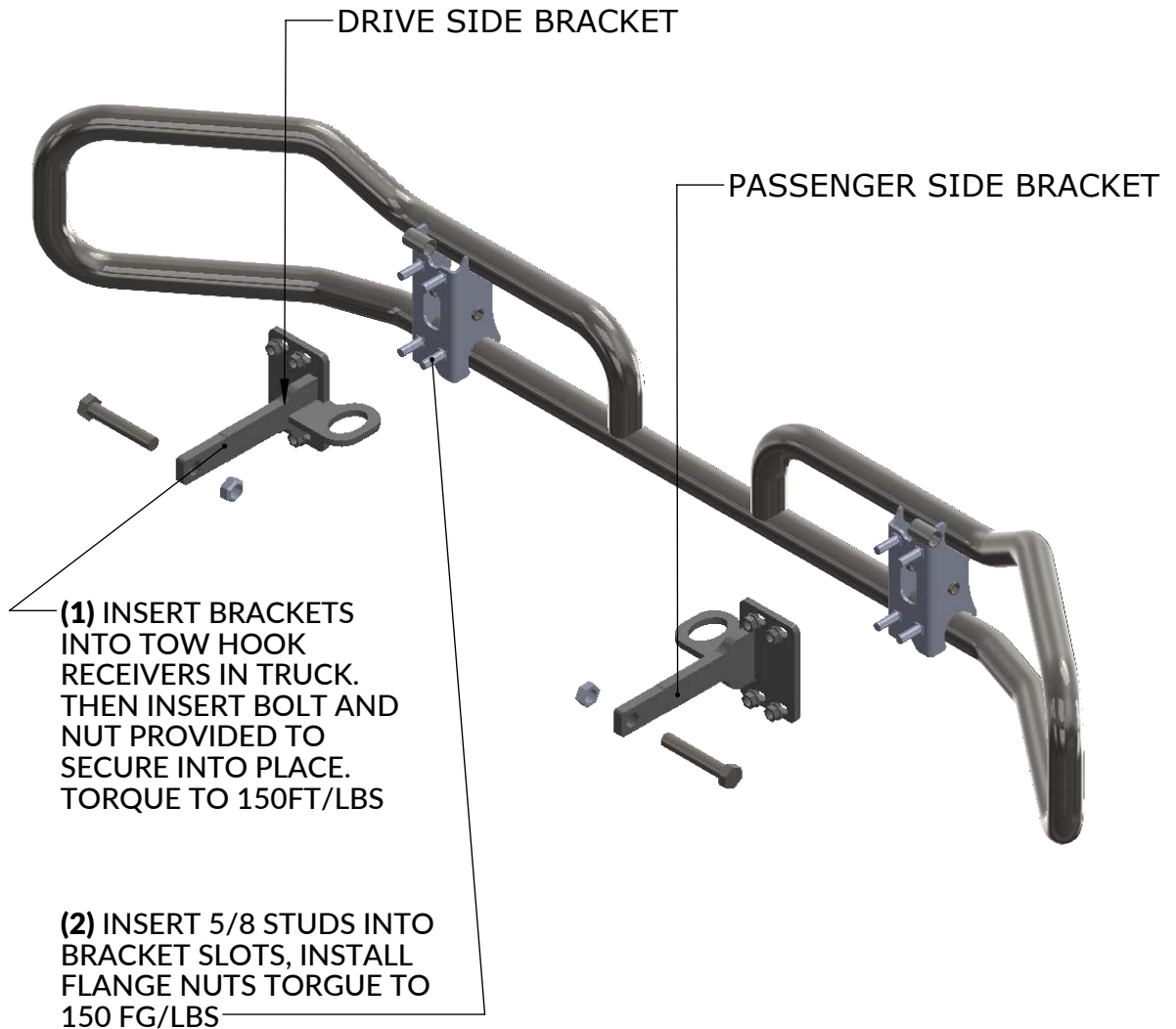
ATTENTION!! Any Ex-Guard grille guard, bracket kit, or hardware must be used with corresponding Ex-Guard components. Use of any other product or brand with Ex-Guard products will immediately void the warranty provided by Ex-Guard Industries.

MOUNTING INSTRUCTIONS - XG-13KP MT INS

KENWORTH T800 ('05 - CURRENT), T880
PETERBILT 367 SET-BACK, 567 SET-BACK

888.902.2777 / INFO@EX-GUARD.COM

CALL FOR INSTALLATION QUESTIONS



IMPORTANT!! Any Ex-Guard grille guard, bracket kit, or hardware must be used with corresponding Ex-Guard components. Use of any other product or brand with Ex-Guard products will immediately void the warranty provided by Ex-Guard Industries.