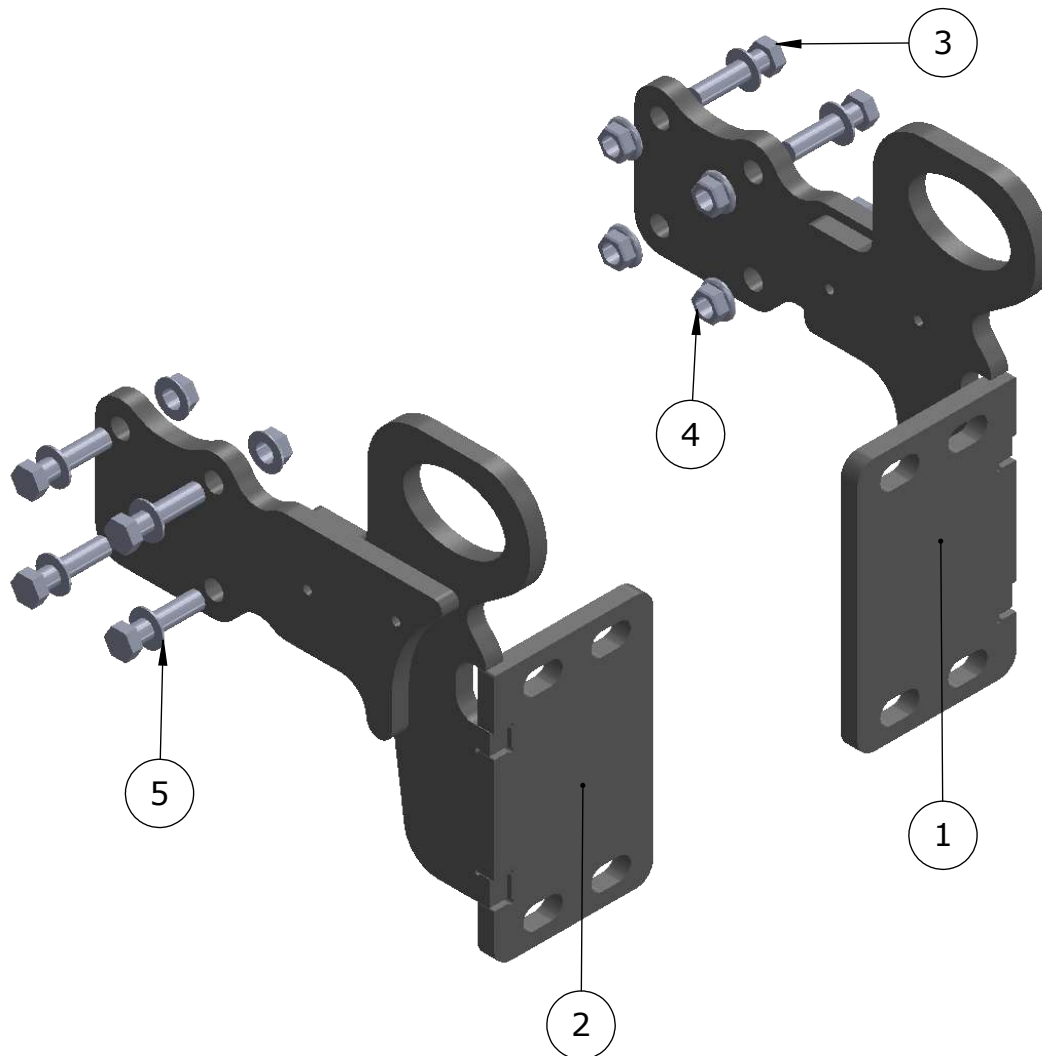


## PARTS LIST - XG-08IDSL

BOLT KIT - XG-BRK5 (X2)

### COMPATIBLE GUARDS

- XG-B100, XG-125, XG-150
- LT-325, LT-350
- HD-400, HD-425, HD-450



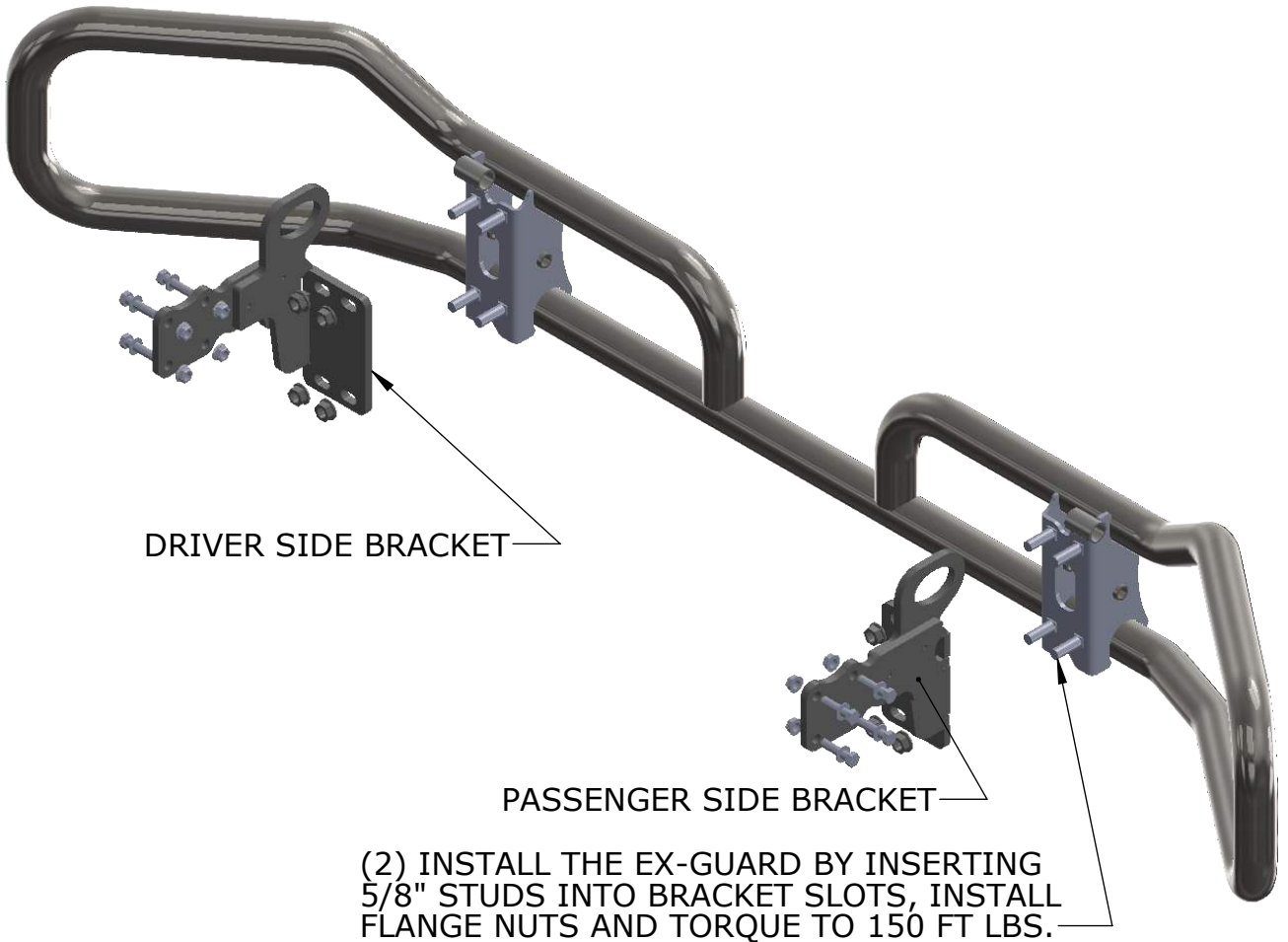
ITEM NO.	PART NUMBER	DESCRIPTION	Default/ QTY.
1	XG-08IDSL-BR10DR	MOUNTING BRACKET (RHS)	1
2	XG-08IDSL-BR10PS	MOUNTING BRACKET (LHS)	1
3	XG-001-50C200HCS8Y	1/2-13X2" Hex Cap GR8 Z&Y	8
4	XG-001-50CNWF0Y_HARD	1/2-13 SERRATED FLANGE NUT /Y	8
5	XG-001-50NWMDOY	1/2 GRADE 8 FLAT WASHER	8

**ATTENTION!! Any Ex-Guard grille guard, bracket kit, or hardware must be used with corresponding Ex-Guard components. Use of any other product or brand with Ex-Guard products will immediately void the warranty provided by Ex-Guard Industries.**

# MOUNTING INSTRUCTIONS - XG-08IDSL MT

INTERNATIONAL 4300, 4400 & DURASTAR  
LARGE RADIATOR '08 - CURRENT

(1) LOCATE MOUNTING AREA ON FRAME, AND REMOVE TOW HOOKS IF APPLICABLE. POSITION BRACKET THROUGH THE BUMPER OPENING SO THAT THE FOUR HOLES LINE UP WITH THE FOUR HOLES IN THE FRAME, INSERT BOLTS SUPPLIED AND TORQUE TO 100 FT LBS.



**IMPORTANT!!** Any Ex-Guard grille guard, bracket kit, or hardware must be used with corresponding Ex-Guard components. Use of any other product or brand with Ex-Guard products will immediately void the warranty provided by Ex-Guard Industries.