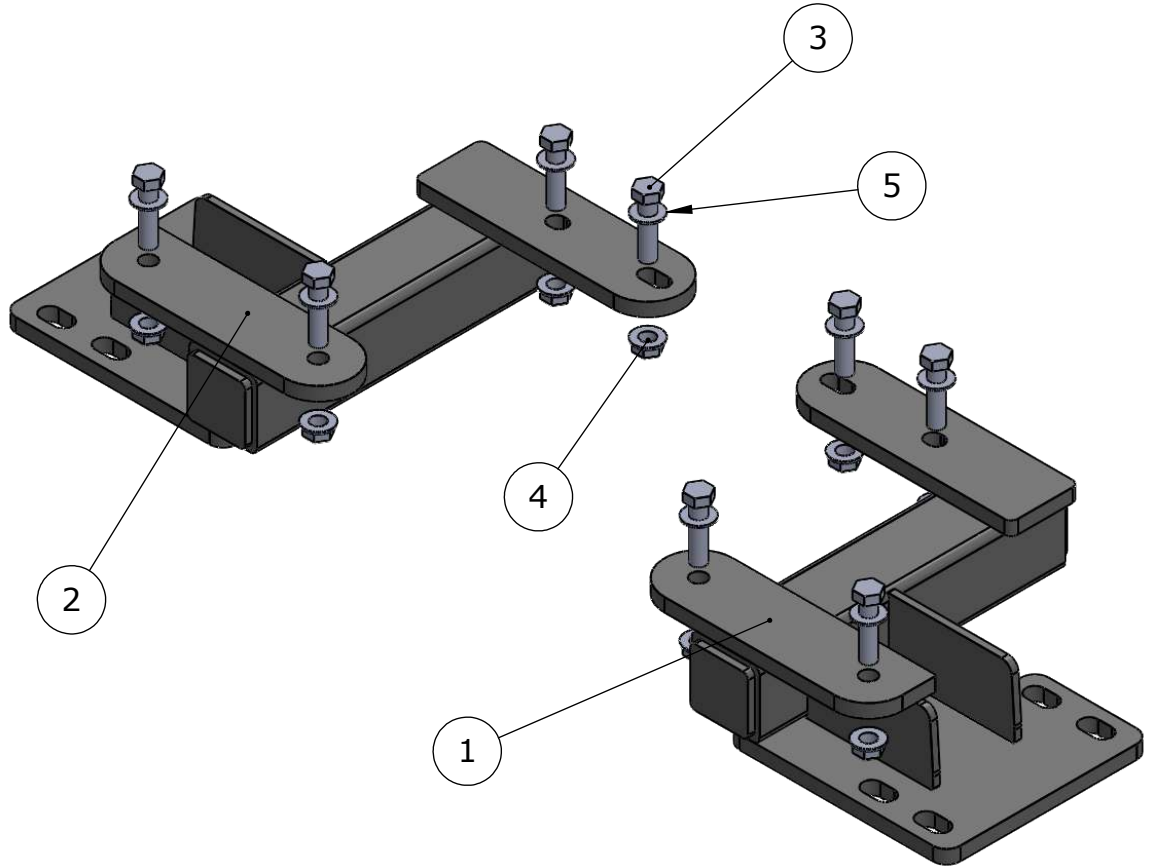


# PARTS LIST - XG-05FXL

BOLT KIT - XG-BRK5 (x2)

COMPATIBLE GUARDS

- XG-B200, XG-225, XG-250

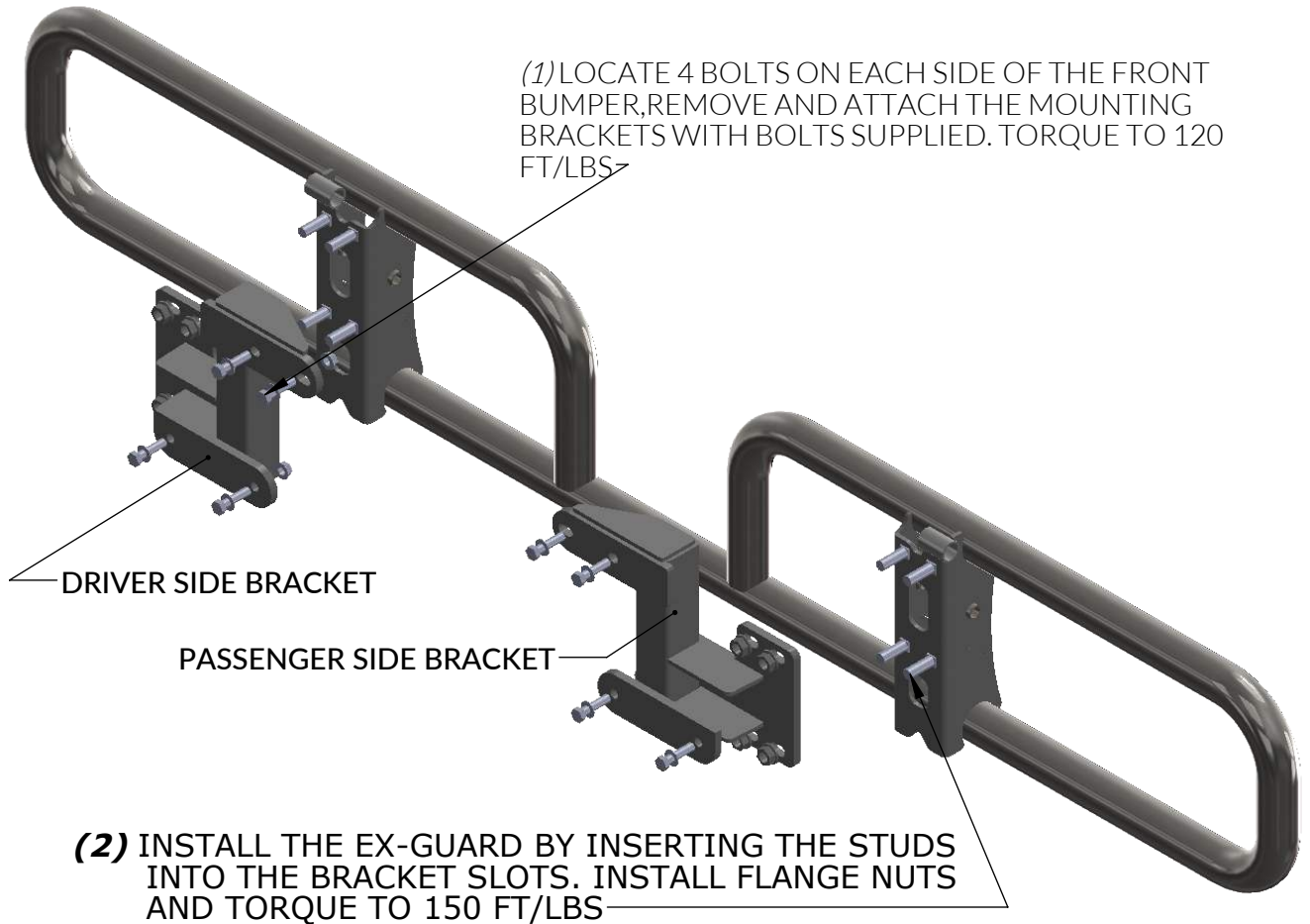


ITEM NO.	PART NUMBER	DESCRIPTION	QTY.
1	XG-05FXL-BR10DR	MOUNTING PLATE (LHS)	1
2	XG-05FXL-BR10PS	MOUNTING PLATE (RHS)	1
3	XG-001-50C200HCS8Y	1/2-13X2" Hex Cap GR8 Z&Y	8
4	XG-001-50CNWF0Y_HARD	1/2-13 SERRATED FLANGE NUT /Y	8
5	XG-001-50NWMD0Y	1/2 GRADE 8 FLAT WASHER	8

**ATTENTION!! Any Ex-Guard grille guard, bracket kit, or hardware must be used with corresponding Ex-Guard components. Use of any other product or brand with Ex-Guard products will immediately void the warranty provided by Ex-Guard Industries.**

# MOUNTING INSTRUCTIONS - XG-05FXL MT

FREIGHTLINER CLASSIC (FRONT BRACKET ONLY)



## FRONT VIEW



THE BACK SIDE SHOULD LOOK LIKE THIS; SHOWING A SUPPORT BRK ATTACHING THE BUMPER TO THE FRAME.

IF THERE IS NO SUPPORT BRACKET, YOU NEED TO CALL 888-902-2777 FOR A SUPPORT KIT, EITHER OF THE FOLLOWING; XG-05FXLA, OR XG-05FXLB THAT GOES WITH THIS KIT.

**IMPORTANT!!** Any Ex-Guard grille guard, bracket kit, or hardware must be used with corresponding Ex-Guard components. Use of any other product or brand with Ex-Guard products will immediately void the warranty provided by Ex-Guard Industries.