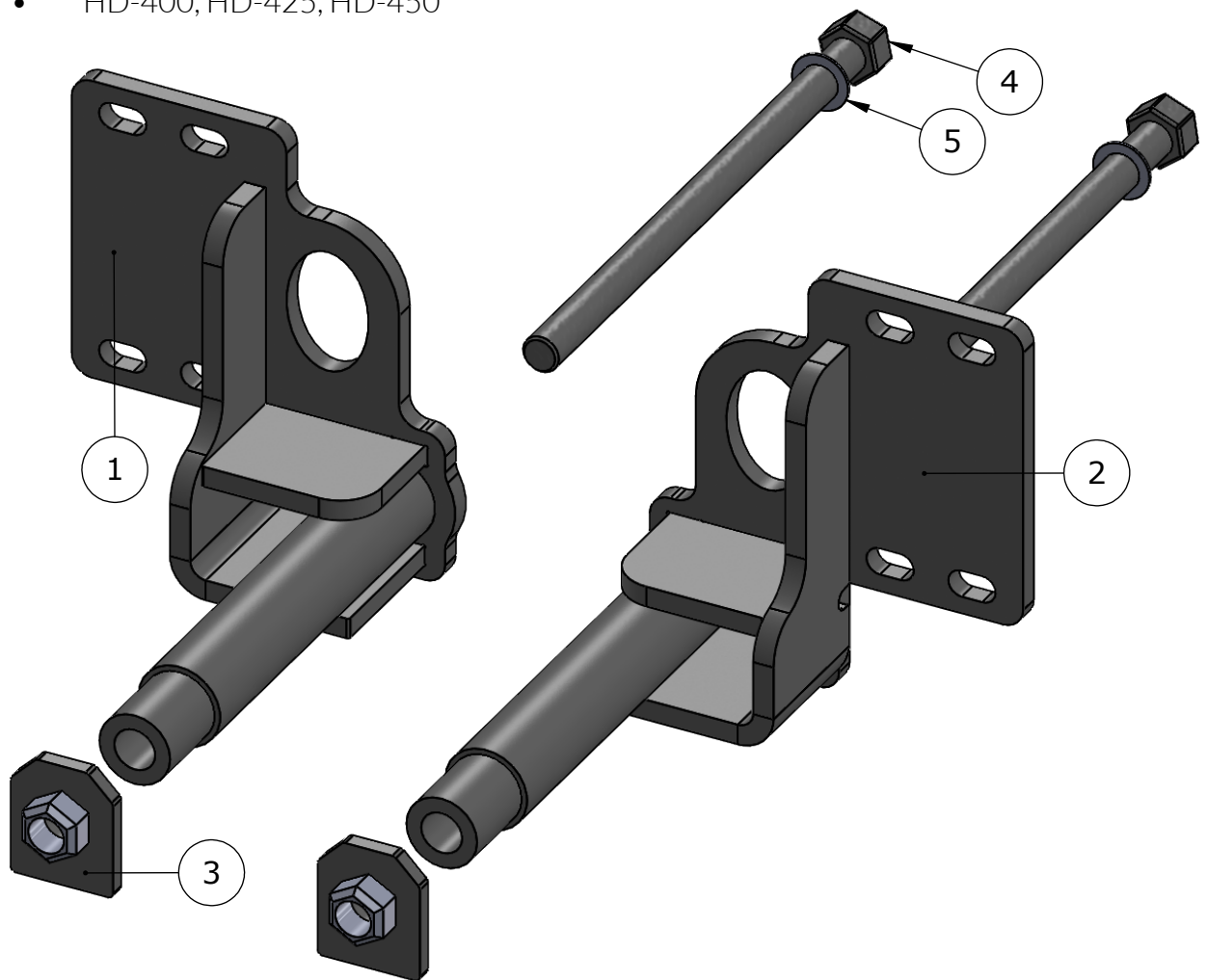


## PARTS LIST - XG-17ILTE

BOLT KIT - XG-BRK15

### COMPATIBLE GUARDS

- XG-B100, XG-G125, XG-150
- LT-325, LT-350
- HD-400, HD-425, HD-450



| ITEM NO. | PART NUMBER      | DESCRIPTION              | QTY. |
|----------|------------------|--------------------------|------|
| 1        | XG-17ILTE-BR10DR | MOUNTING BRACKET (LHS)   | 1    |
| 2        | XG-17ILTE-BR10PS | MOUNTING BRACKET (RHS)   | 1    |
| 3        | XG-17ILTE-BR08   | BACKUP WASHER W/ NUT     | 2    |
| 4        | XG-17ILTE-BR07   | 7/8 BOLT                 | 2    |
| 5        | XG-001-87NWMD0Y  | 7/8" GRADE 8 FLAT WASHER | 2    |

**ATTENTION!! Any Ex-Guard grille guard, bracket kit, or hardware must be used with corresponding Ex-Guard components. Use of any other product or brand with Ex-Guard products will immediately void the warranty provided by Ex-Guard Industries.**

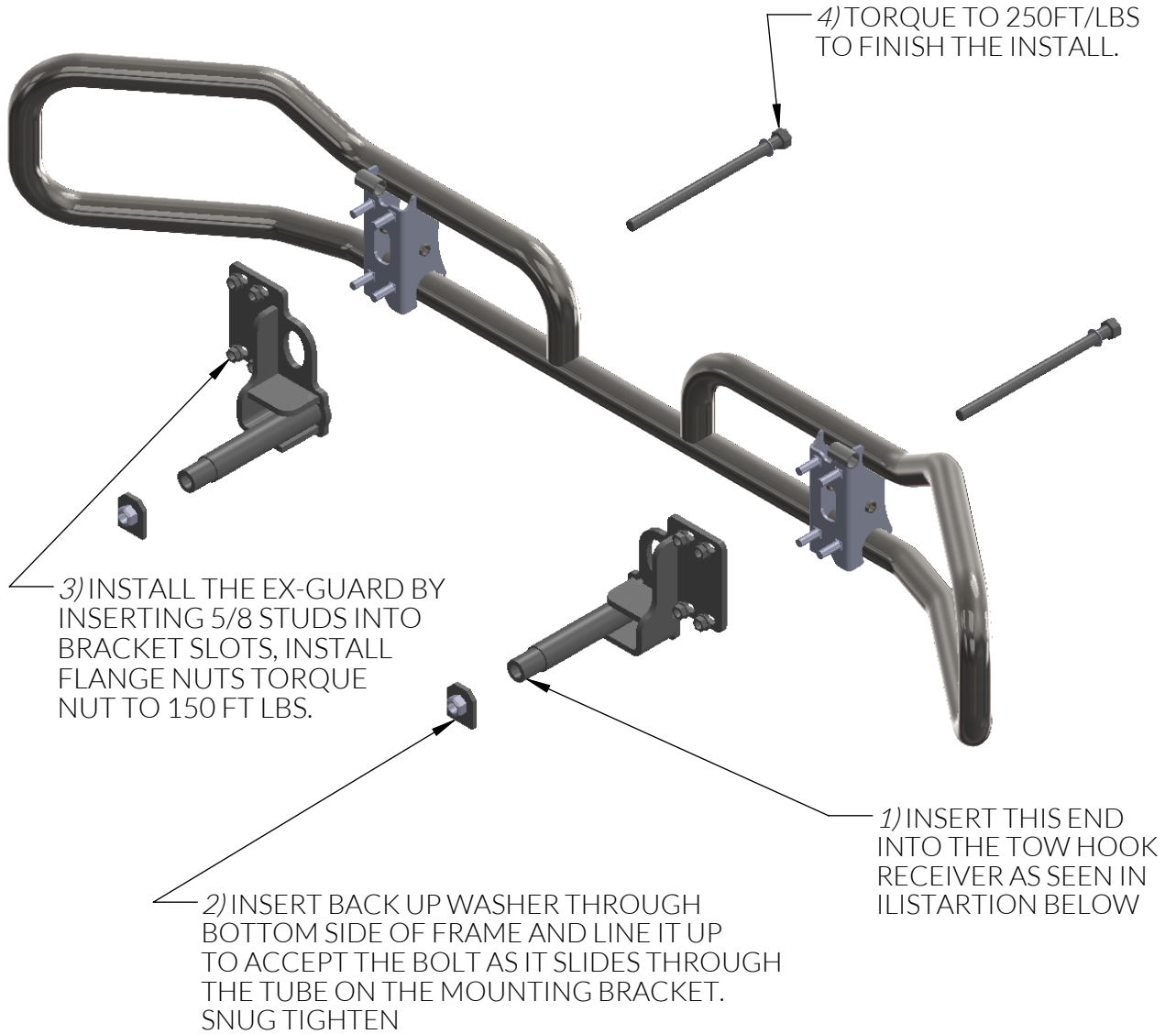
888.902.2777 / INFO@EX-GUARD.COM

CALL FOR INSTALLATION QUESTIONS

EX-GUARD<sup>®</sup>

# MOUNTING INSTRUCTIONS - XG-17ILTE MTINS

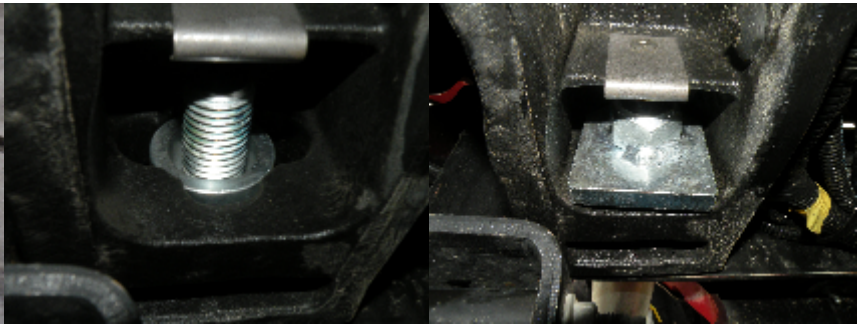
INTERNATIONAL PROSTAR AND LT SERIES WITH CHROME BUMPER



FRONT VIEW



BACK VIEW



IMPORTANT!! Any Ex-Guard grille guard, bracket kit, or hardware must be used with corresponding Ex-Guard components. Use of any other product or brand with Ex-Guard products will immediately void the warranty provided by Ex-Guard Industries.