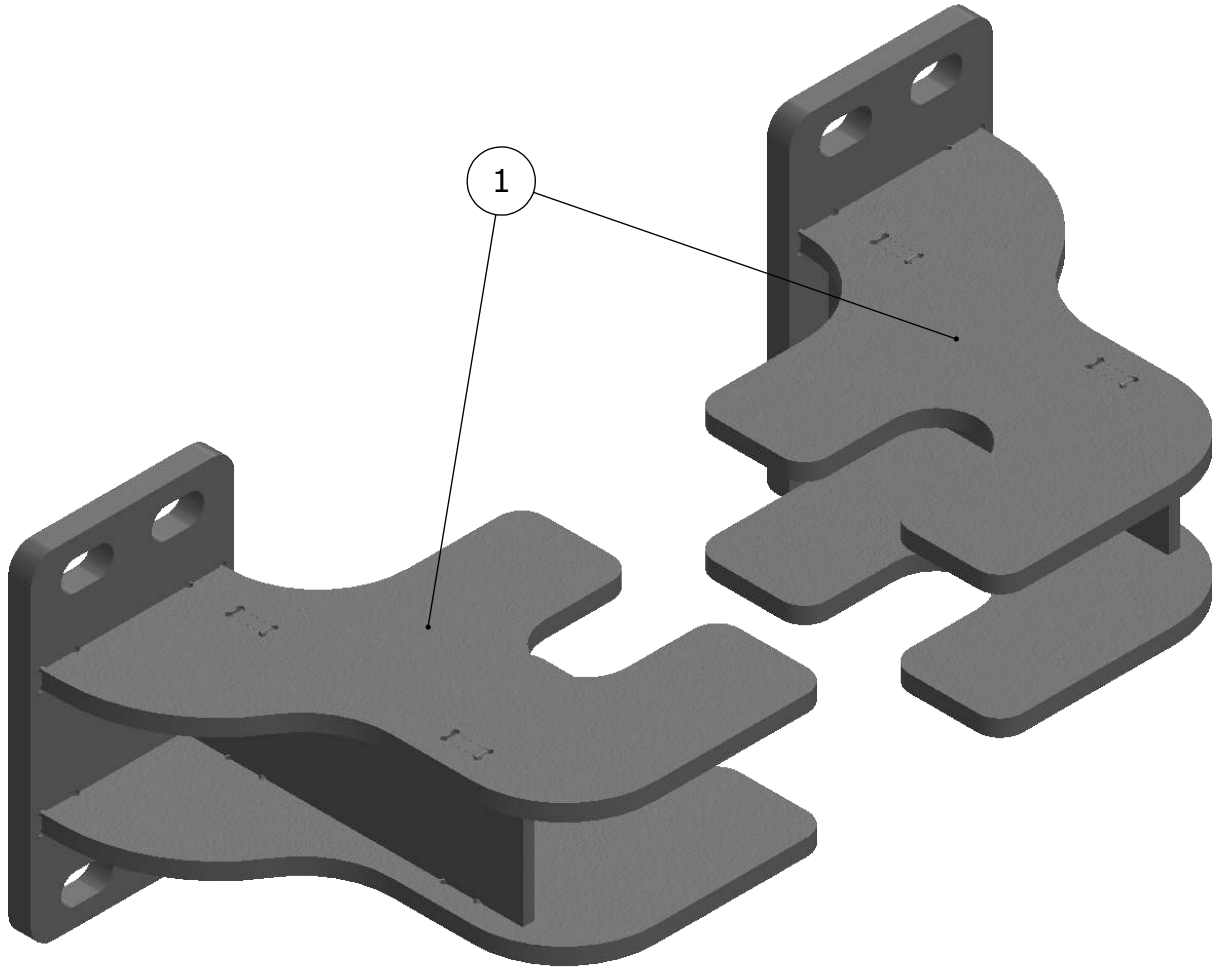


PARTS LIST - XG-03P387

COMPATIBLE GUARDS

- XG-B100, XG-125, XG-150, XG-195
- LT-325, LT-350
- HD-400, HD-425, HD-450, HD-495



ITEM NO.	PART NUMBER	DESCRIPTION	QTY.
1	XG-03P387-BR10	MOUNTING BRACKET	2

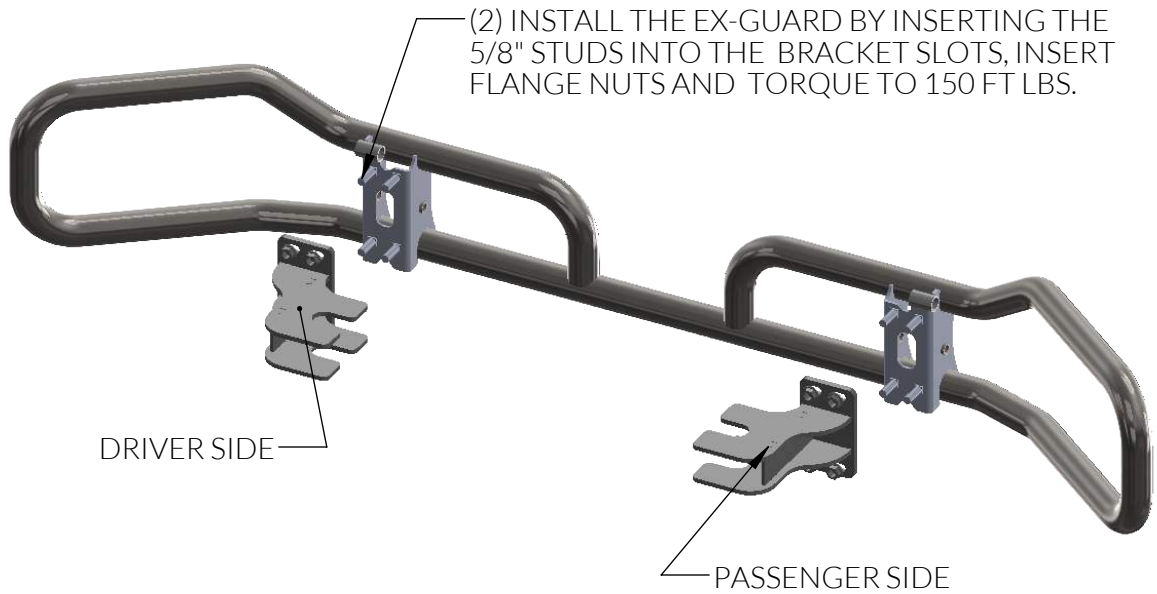
ATTENTION!! Any Ex-Guard grille guard, bracket kit, or hardware must be used with corresponding Ex-Guard components. Use of any other product or brand with Ex-Guard products will immediately void the warranty provided by Ex-Guard Industries.

MOUNTING INSTRUCTIONS - XG-03P387 MT

PETERBILT 387 '03 - CURRENT

888.902.2777 / INFO@EX-GUARD.COM

CALL FOR INSTALLATION QUESTIONS



(2) ROTATE THE BRACKET INTO THE FRAME OF THE TRUCK.

IMPORTANT!! Any Ex-Guard grille guard, bracket kit, or hardware must be used with corresponding Ex-Guard components. Use of any other product or brand with Ex-Guard products will immediately void the warranty provided by Ex-Guard Industries.